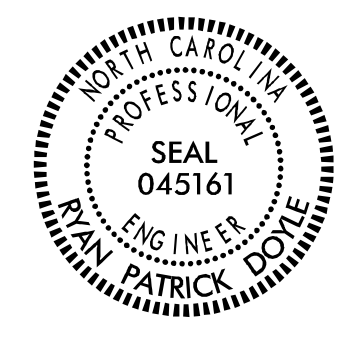
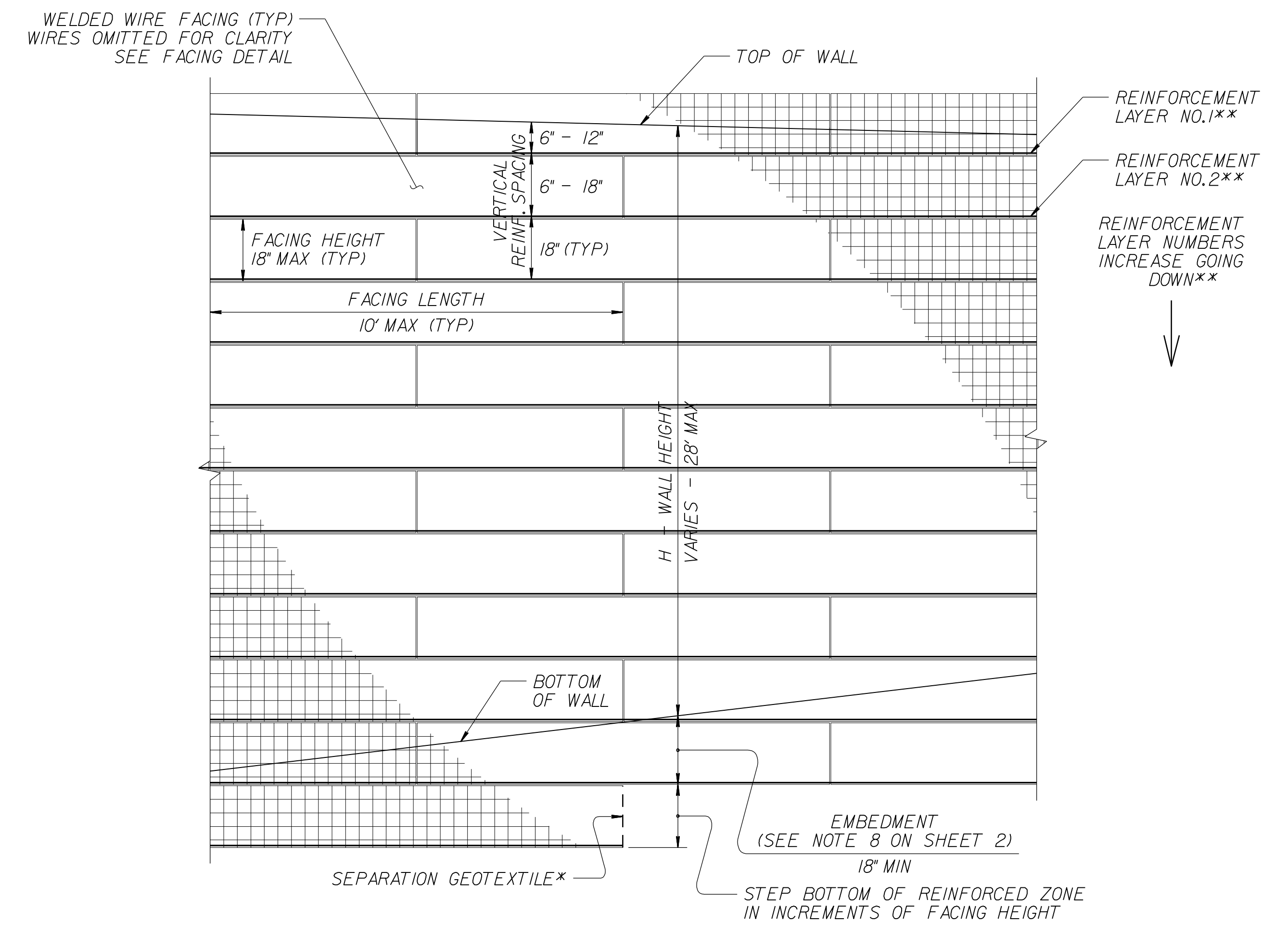
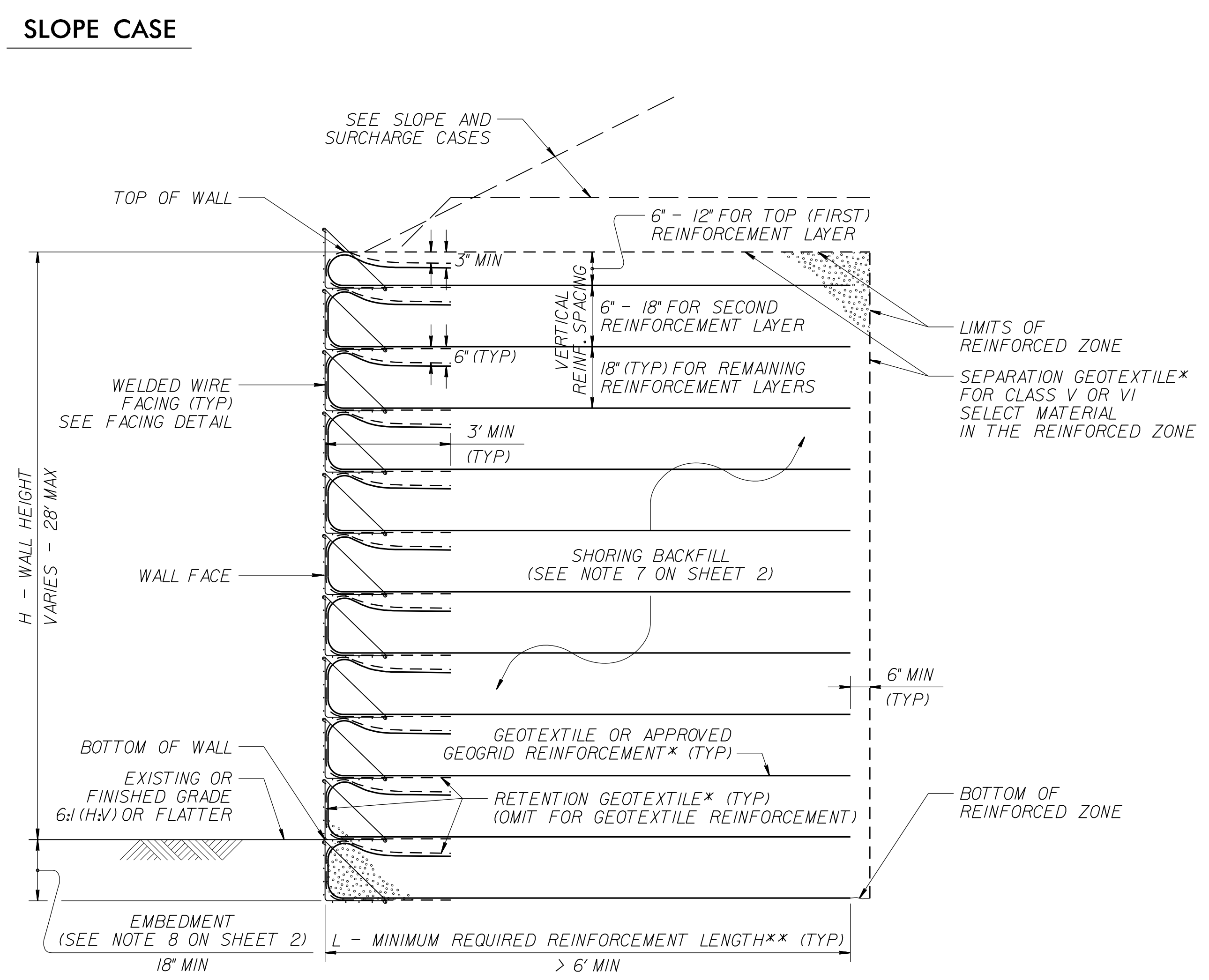
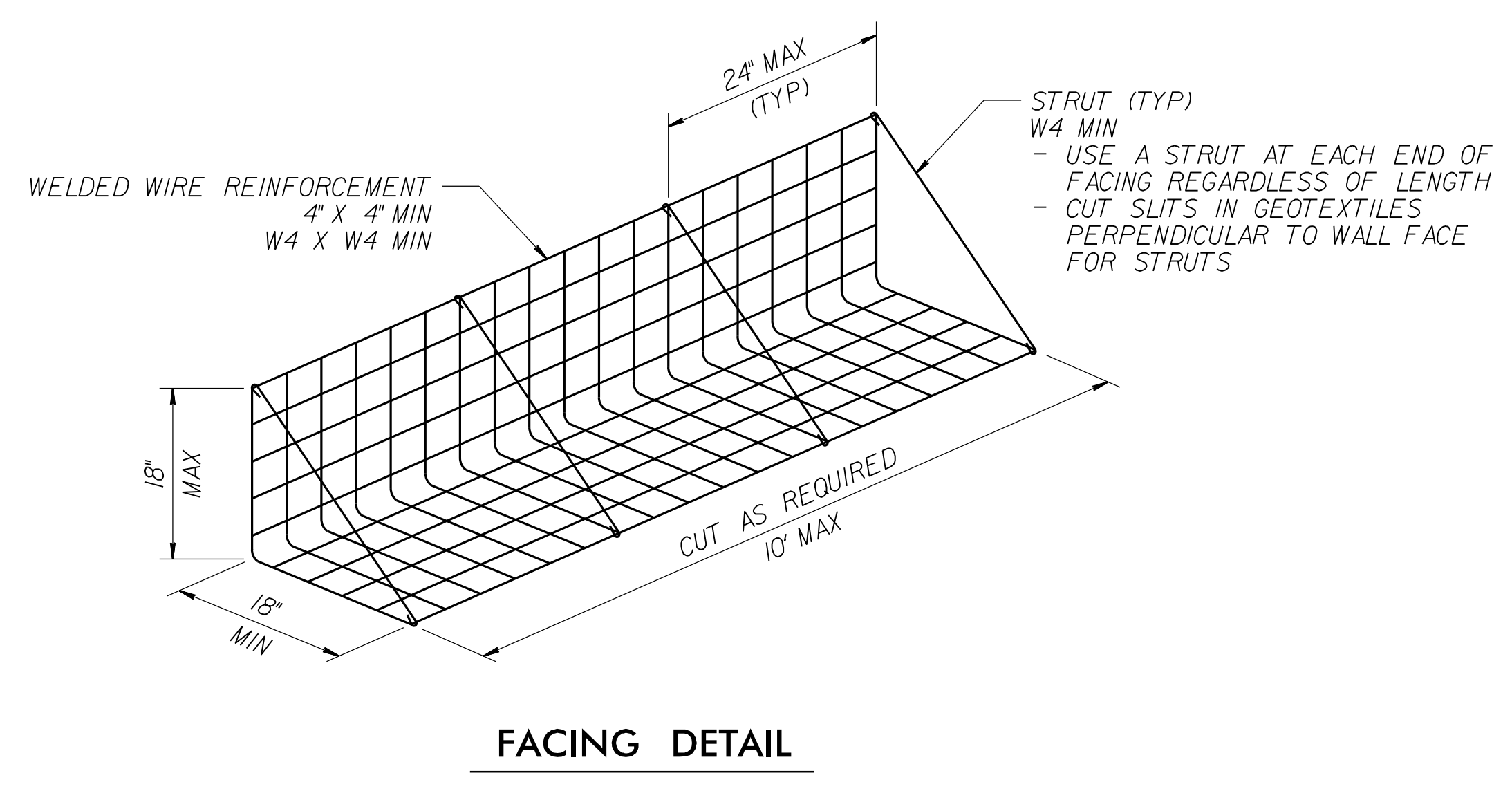
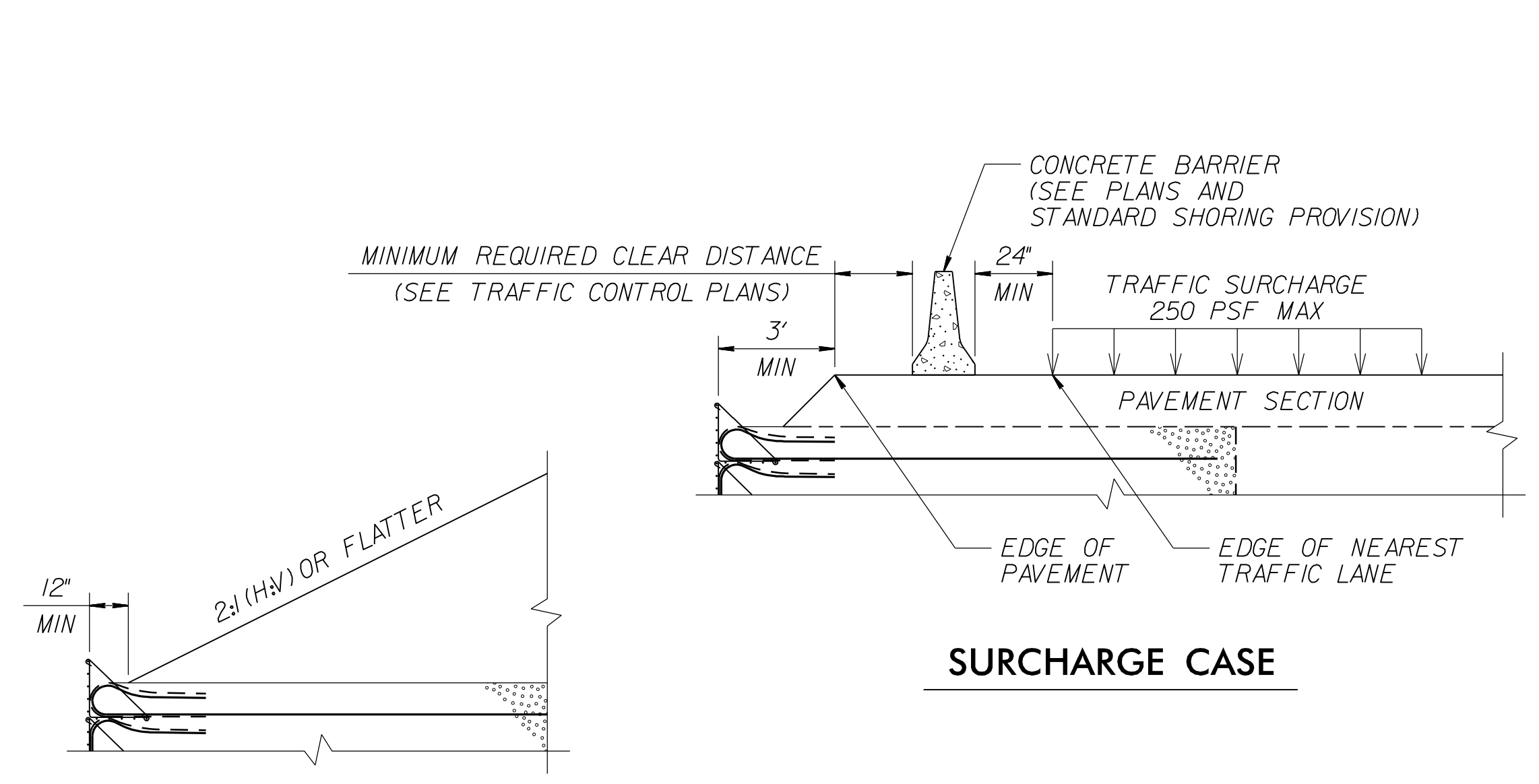



<b>PROJECT REFERENCE NO.</b> B-5980	<b>SHEET NO.</b> 2G-5
GEOTECHNICAL ENGINEER  4/15/2020 DATE	ENGINEER SIGNATURE DATE
<b>DOCUMENT NOT CONSIDERED FINAL UNLESS ALL SIGNATURES COMPLETED</b>	

**NORTH CAROLINA  
DEPARTMENT OF TRANSPORTATION  
DIVISION OF HIGHWAYS**

**GEOTECHNICAL  
ENGINEERING UNIT**

**STANDARD DETAIL NO. 1801.02**

**STANDARD  
TEMPORARY WALL  
SHEET 1 OF 3**

DATE: 11-19-13