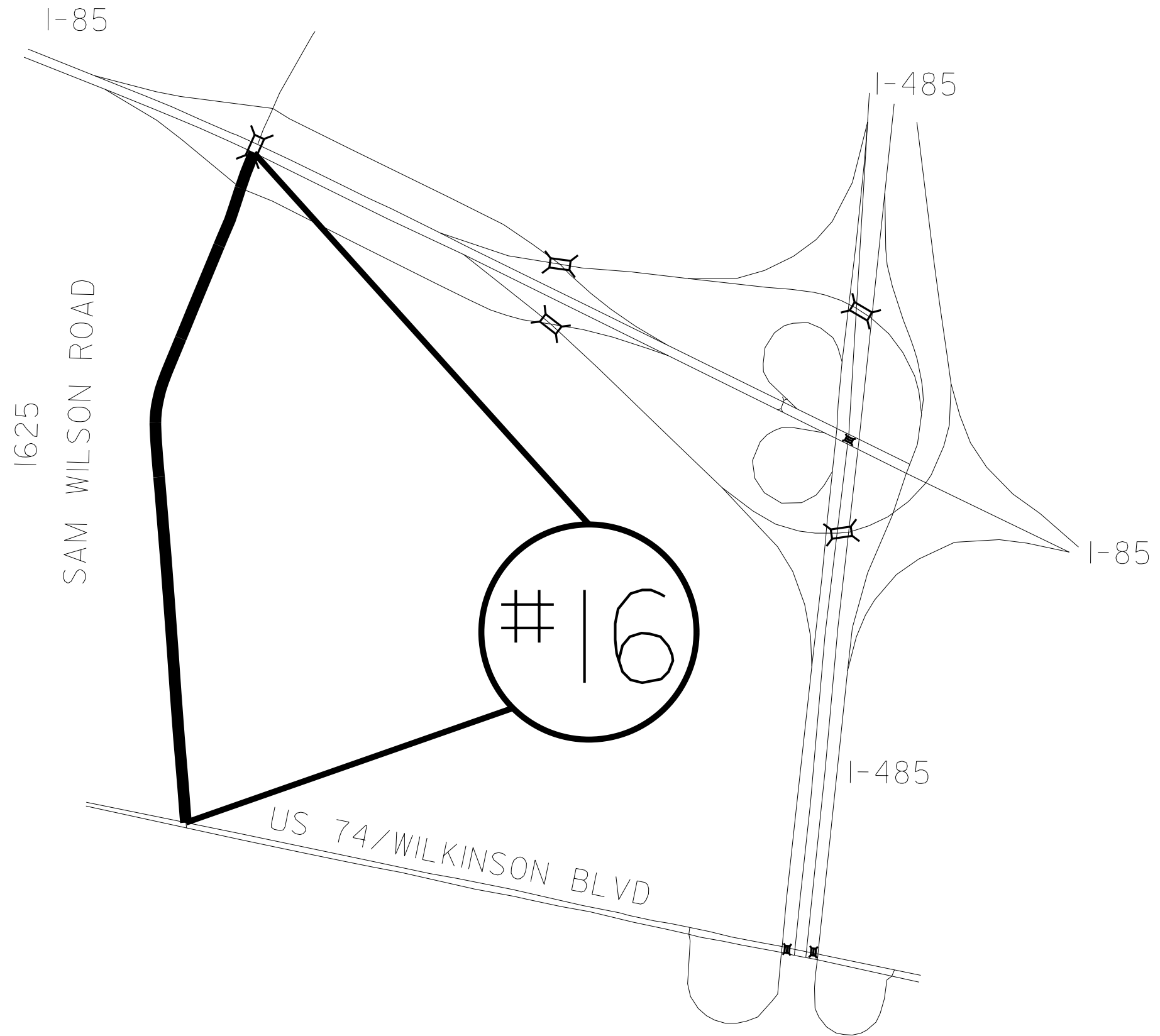


STATE	PROJECT NO.	SHEET NO.	TOTAL SHEETS
NC	2021CPT.10.15.10601 2021CPT.10.15.20601	9	
F.A. PROJECT NO.			



ENLARGED MUNICIPAL AND SUBURBAN AREAS

MECKLENBURG COUNTY

NORTH CAROLINA

PREPARED BY THE
NORTH CAROLINA DEPARTMENT OF TRANSPORTATION
DIVISION OF HIGHWAYS - DIVISION 10 DISTRICT 2

MAP #16 SR 1625 SAM WILSON ROAD
0.88 MILES
FROM US 74/WILKINSON BLVD
TO I-85 BRIDGE