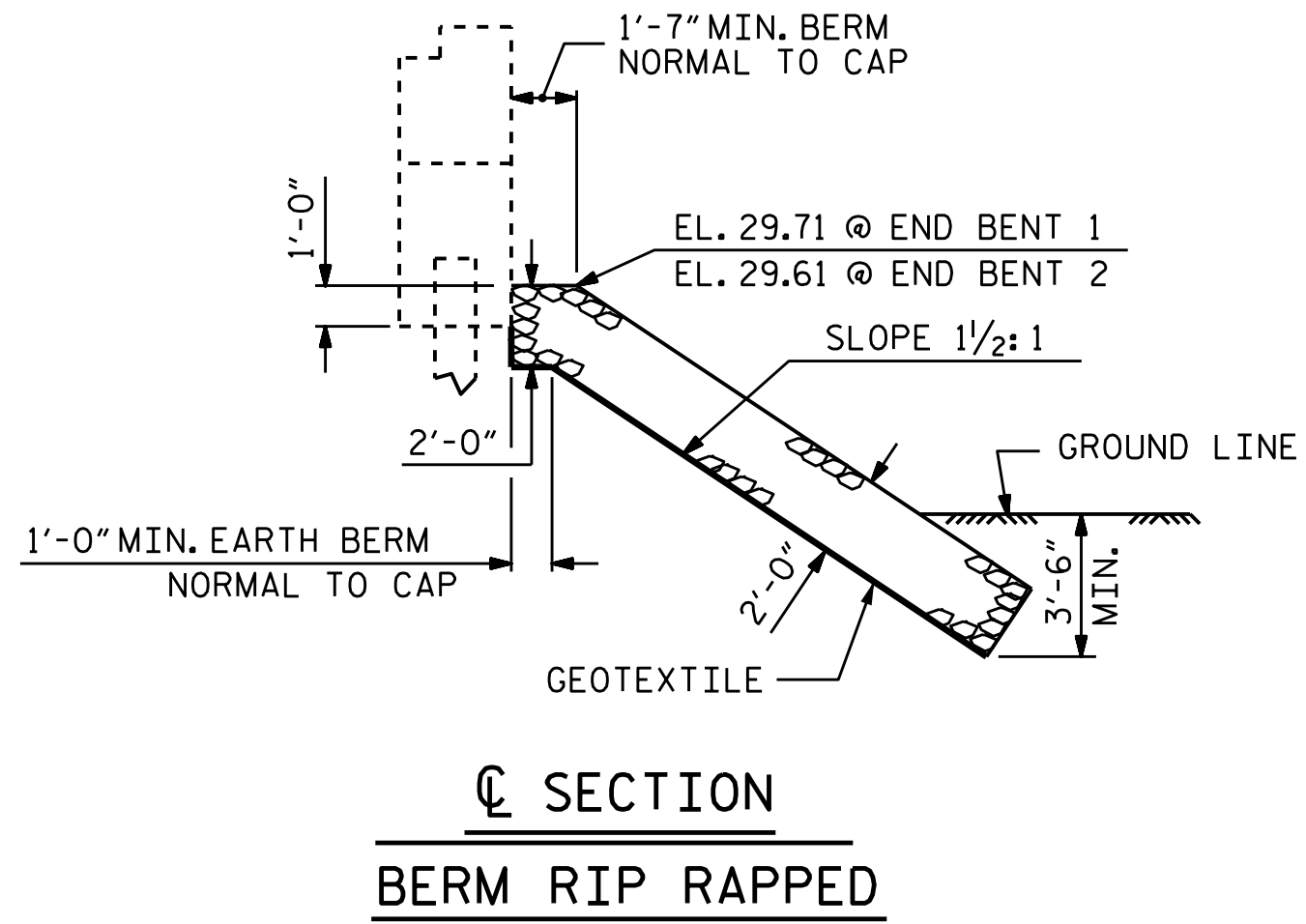
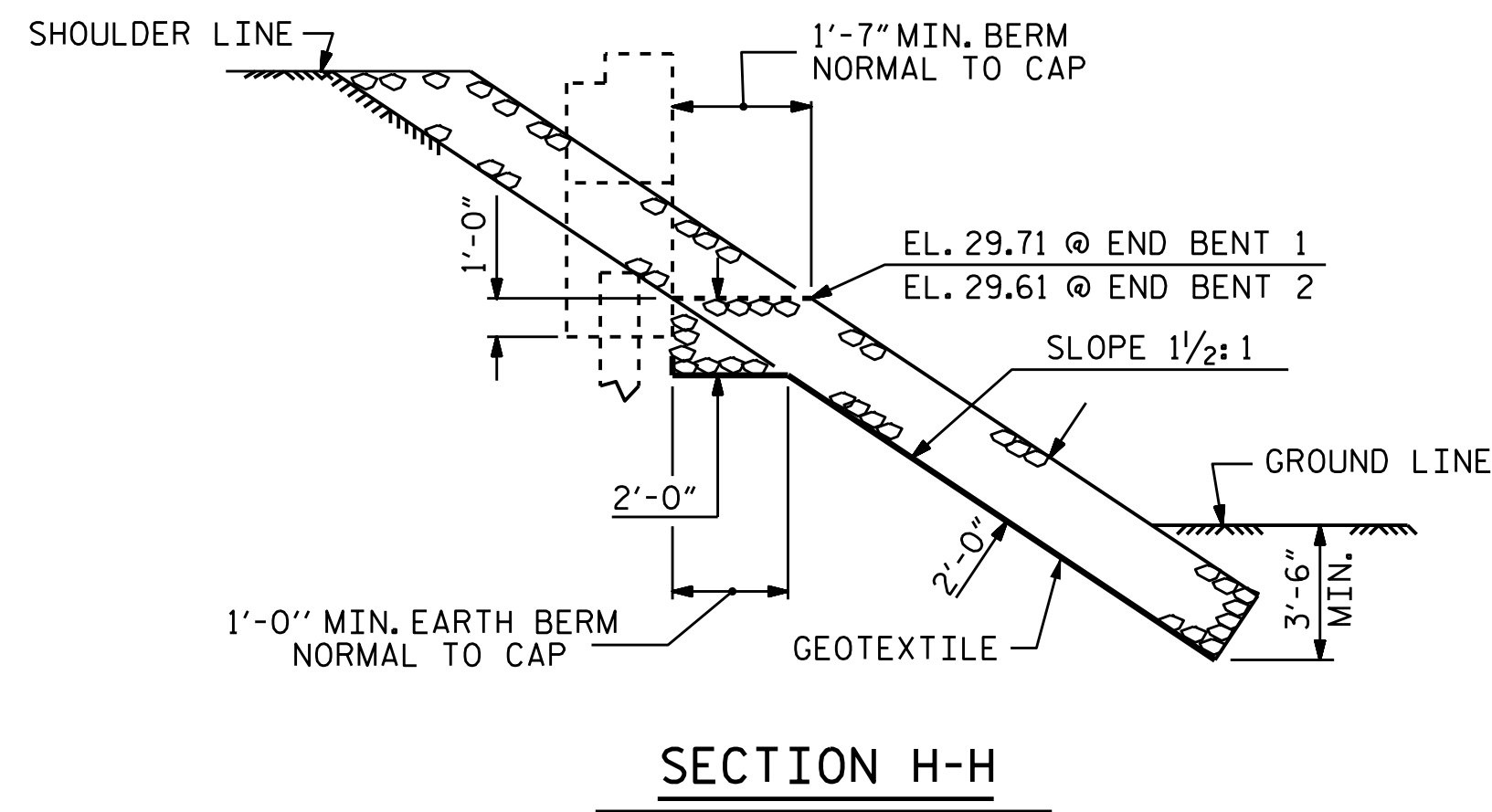


ESTIMATED QUANTITIES		
BRIDGE @ STA. 18+27.00 -L-	RIP RAP CLASS II (2'-0" THICK)	GEOTEXTILE FOR DRAINAGE
	TONS	SQUARE YARDS
END BENT 1	285	315
END BENT 2	285	315



PROJECT NO. BR-0017
 DUPLIN COUNTY
 STATION: 18+27.00 -L-



STATE OF NORTH CAROLINA
 DEPARTMENT OF TRANSPORTATION
 RALEIGH
 STANDARD
 RIP RAP DETAILS

ASSEMBLED BY : P. K. NEWTON DATE : 1/26/21
 CHECKED BY : D. R. SHACKELFORD DATE : 2/5/21
 DRAWN BY : REK 1/84 REV. 10/1/11 MAA/GM
 CHECKED BY : RDU 1/84 REV. 12/21/11 MAA/GM
 REV. 12/17 MAA/THC

DOCUMENT NOT CONSIDERED
 FINAL UNLESS ALL
 SIGNATURES COMPLETED

REVISIONS						SHEET NO.
NO.	BY:	DATE:	NO.	BY:	DATE:	S-26
1			3			TOTAL SHEETS
2			4			28