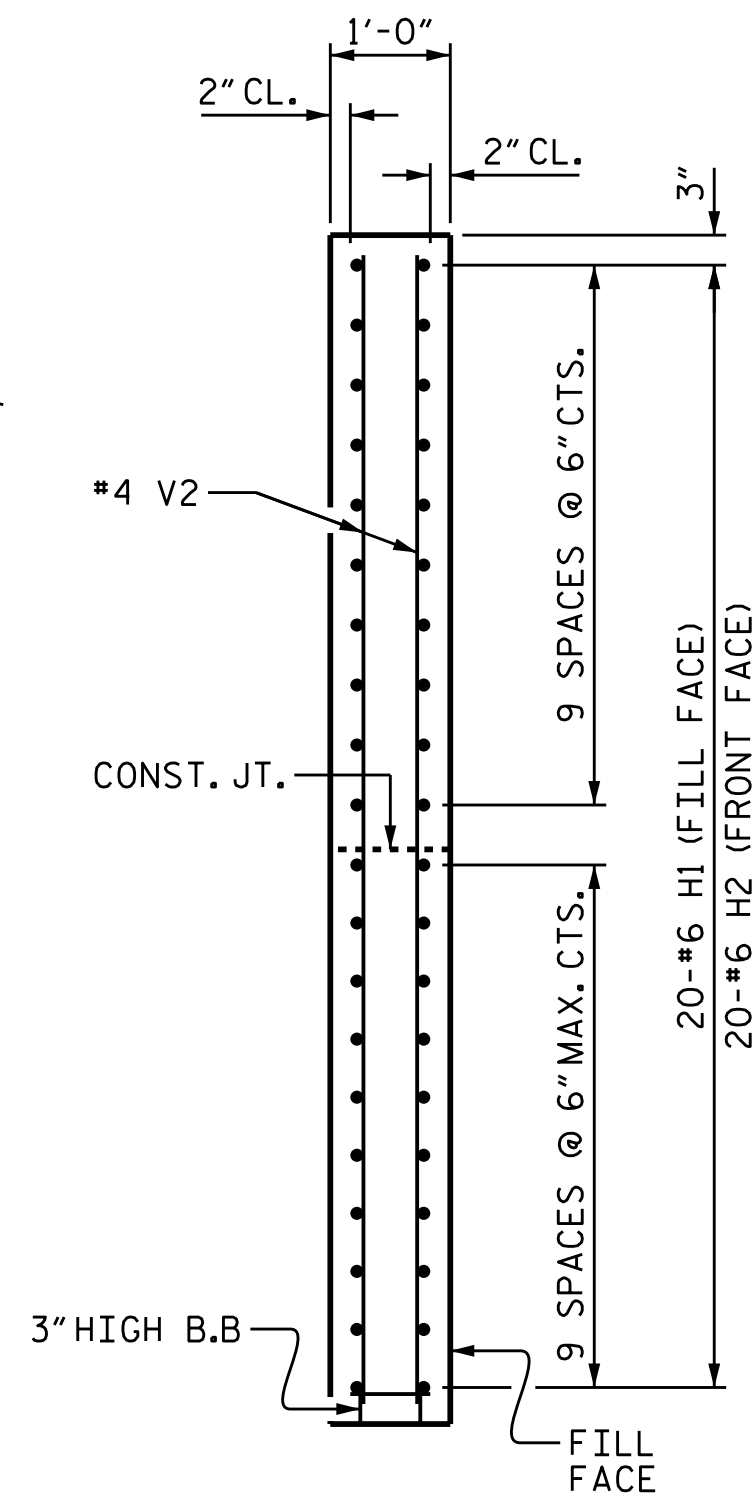
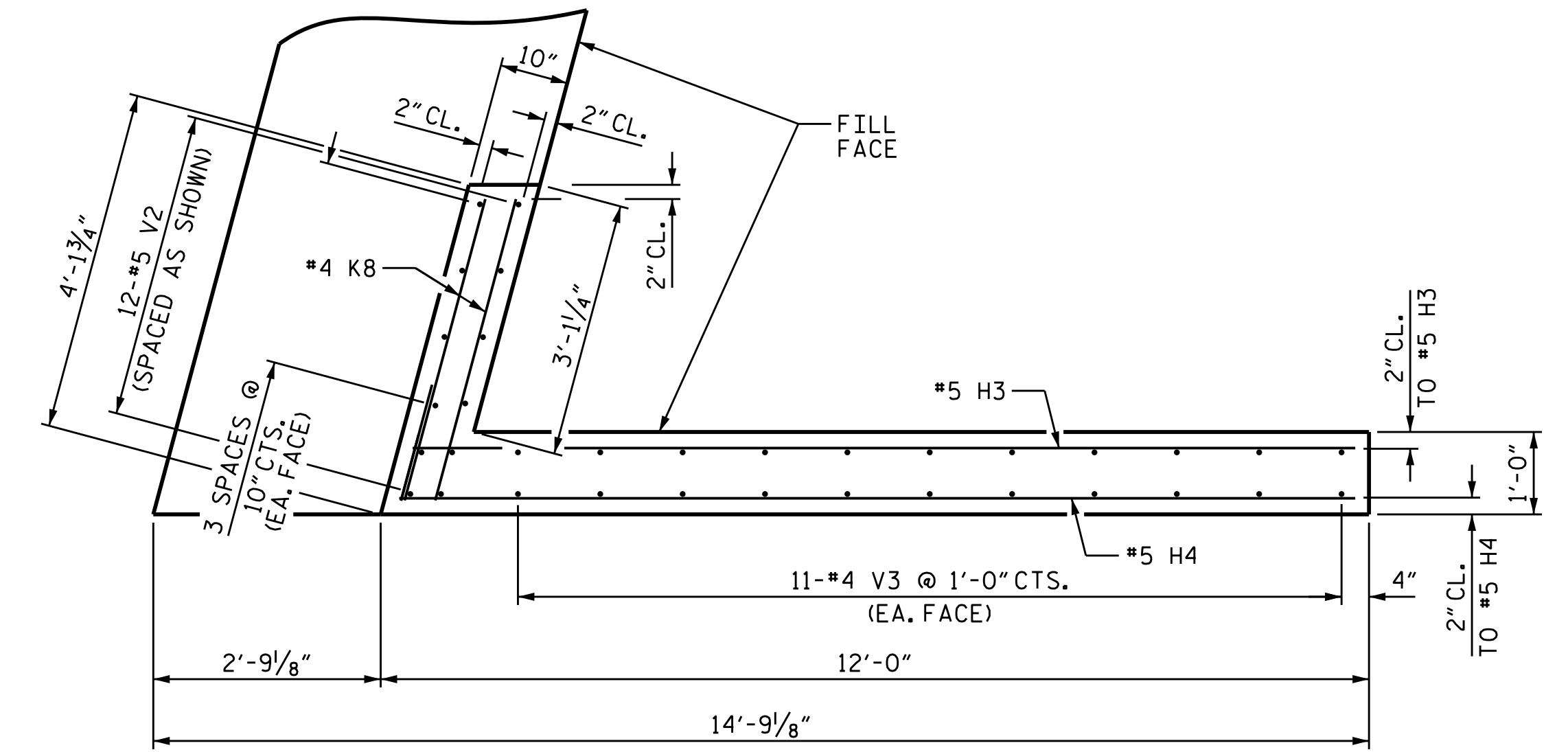


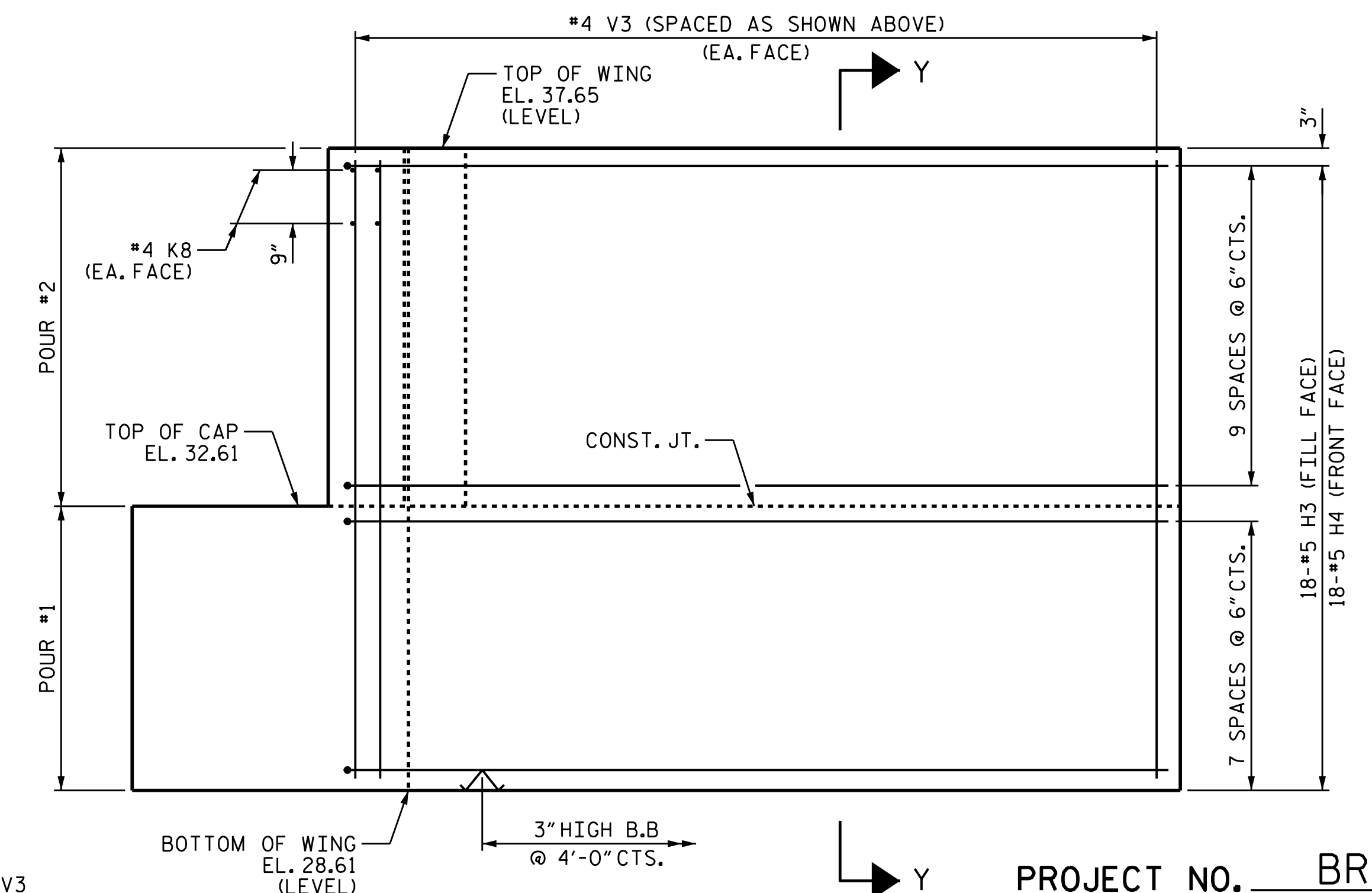
PLAN OF WING W1



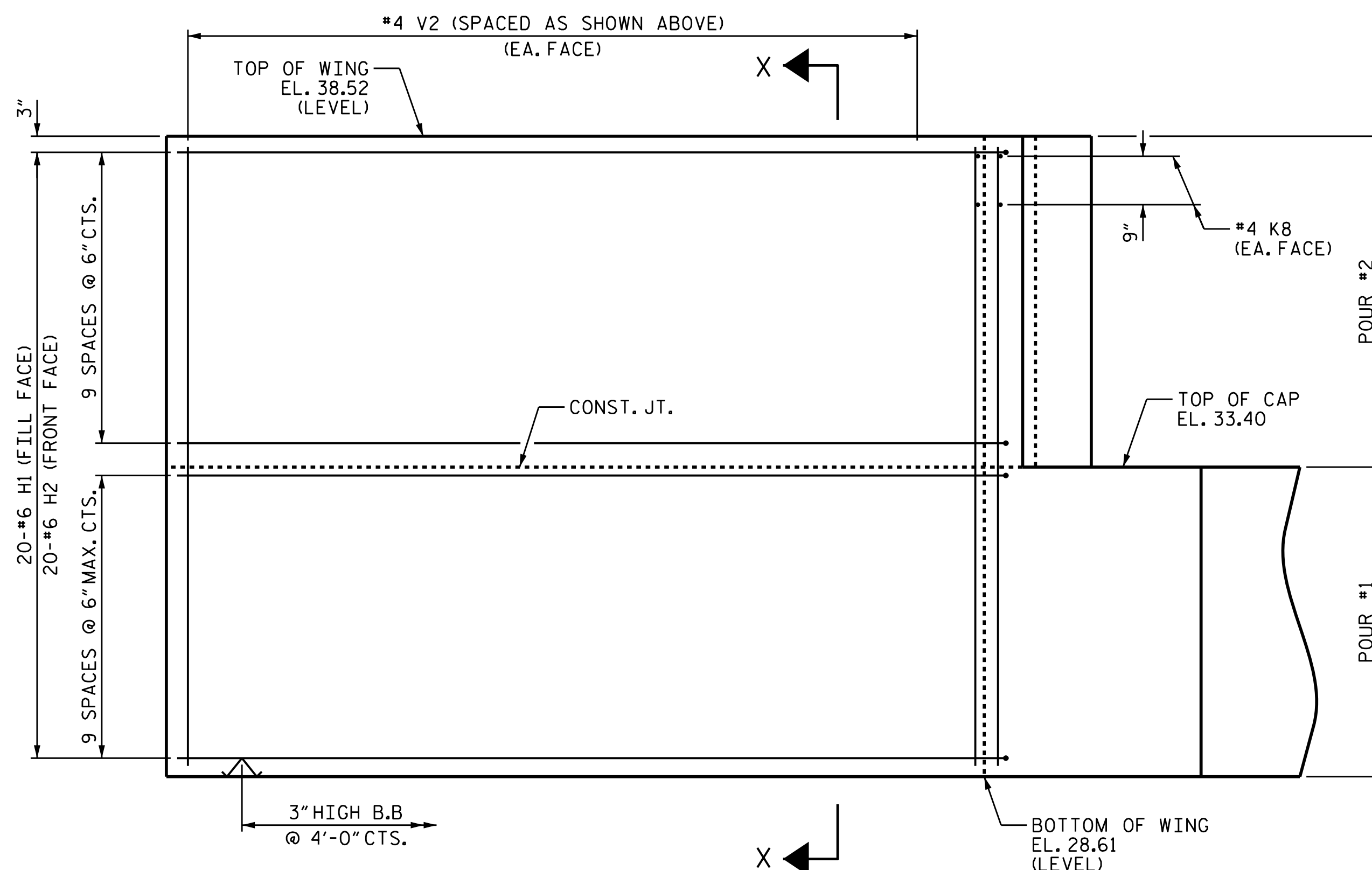
SECTION X-X



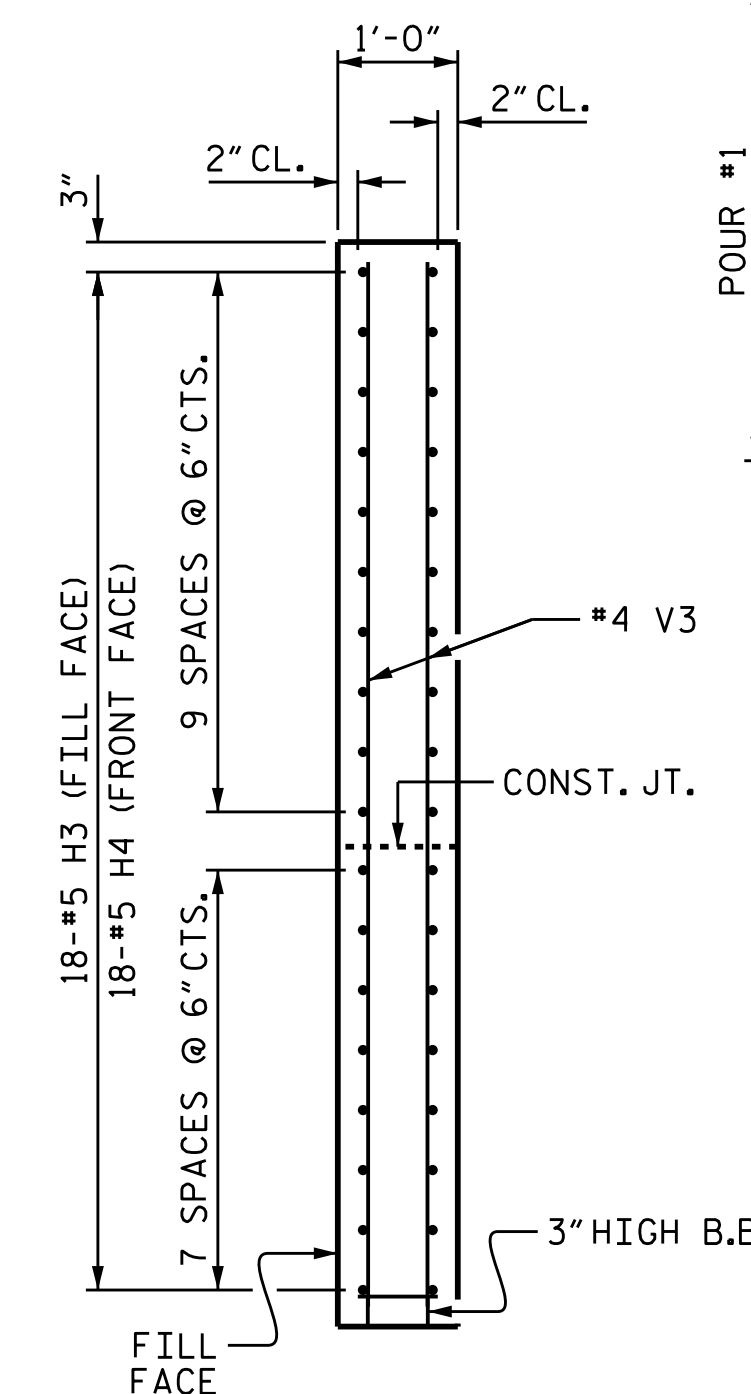
PLAN OF WING W2



ELEVATION OF WING W2



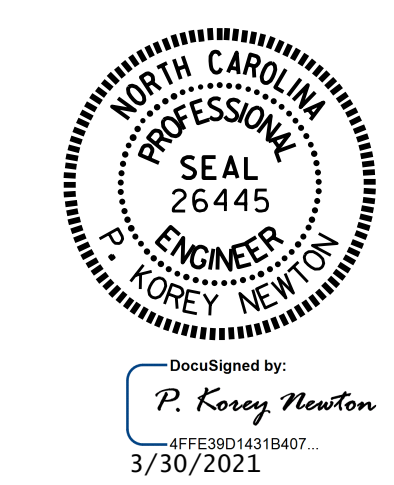
ELEVATION OF WING W1



SECTION Y-Y

PROJECT NO. BR-0017
 DUPLIN COUNTY
 STATION: 18+27.00 -L-

SHEET 2 OF 3



STATE OF NORTH CAROLINA
 DEPARTMENT OF TRANSPORTATION
 RALEIGH
 SUBSTRUCTURE
 INTEGRAL
 END BENT 2

DRAWN BY : P. K. NEWTON DATE : 2/27/21
 CHECKED BY : P. D. BRYANT DATE : 3/1/21
 DESIGN ENGINEER OF RECORD: P. D. BRYANT DATE : 3/1/21

DOCUMENT NOT CONSIDERED
 FINAL UNLESS ALL
 SIGNATURES COMPLETED

REVISIONS						SHEET NO.
NO.	BY:	DATE:	NO.	BY:	DATE:	S-24
1			3			TOTAL SHEETS
2			4			28