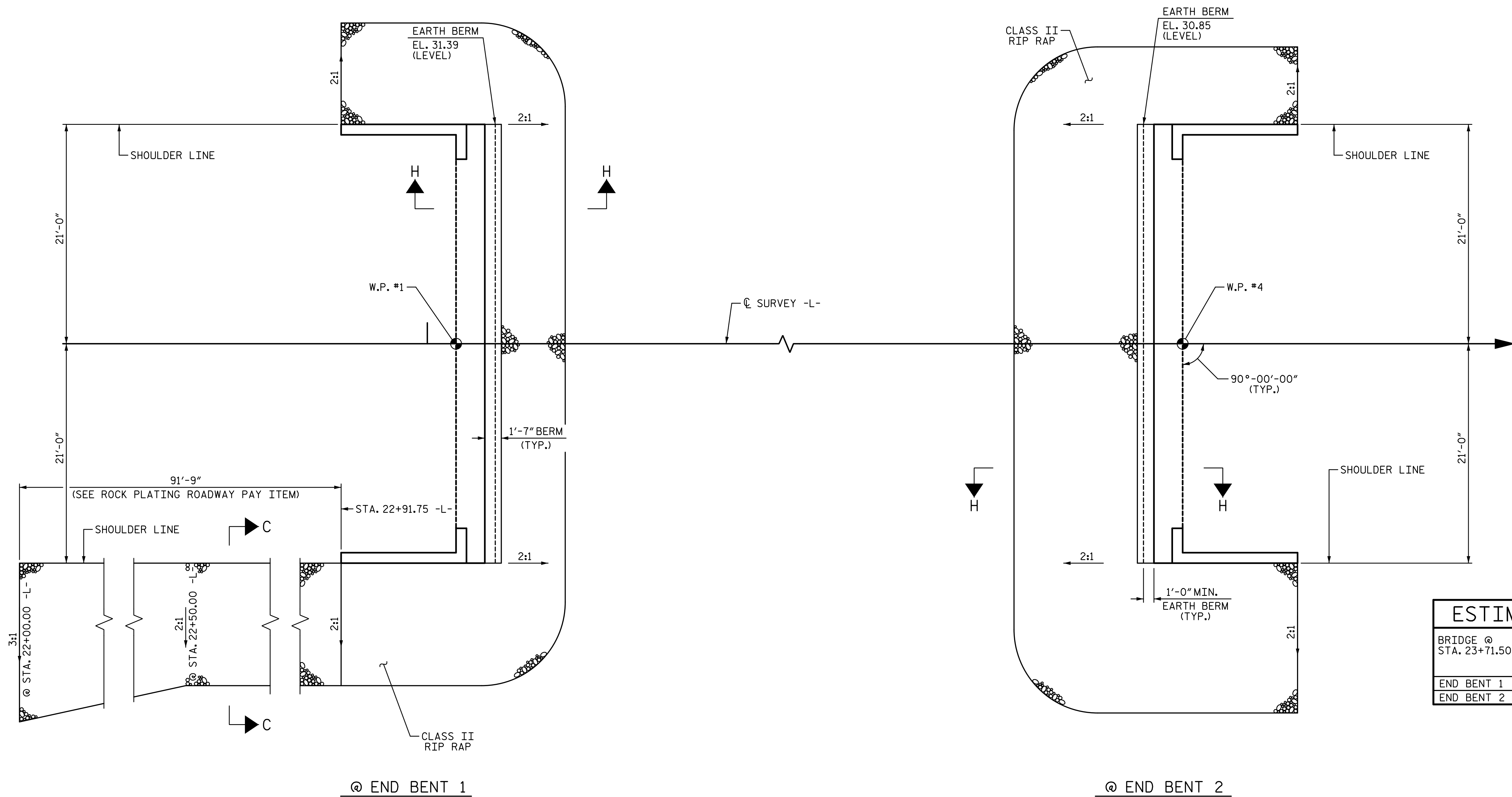
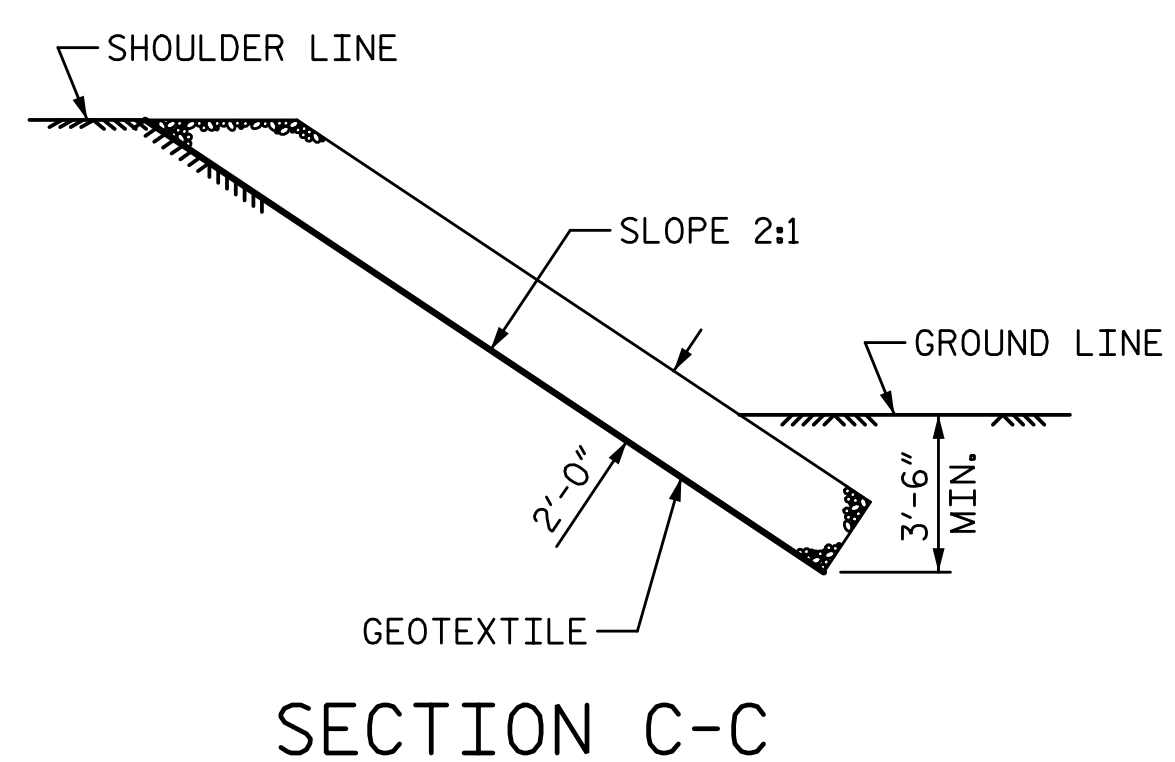
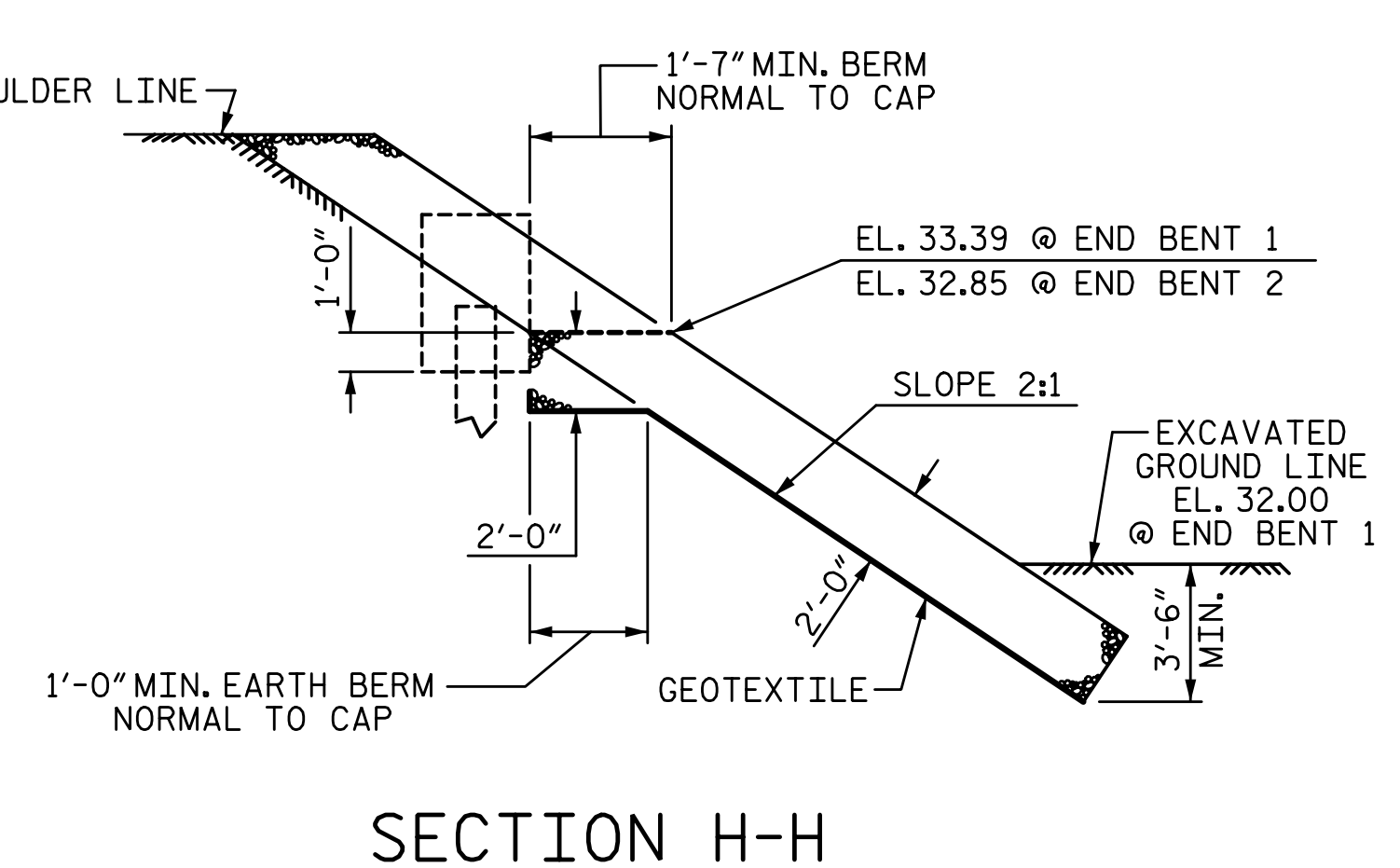
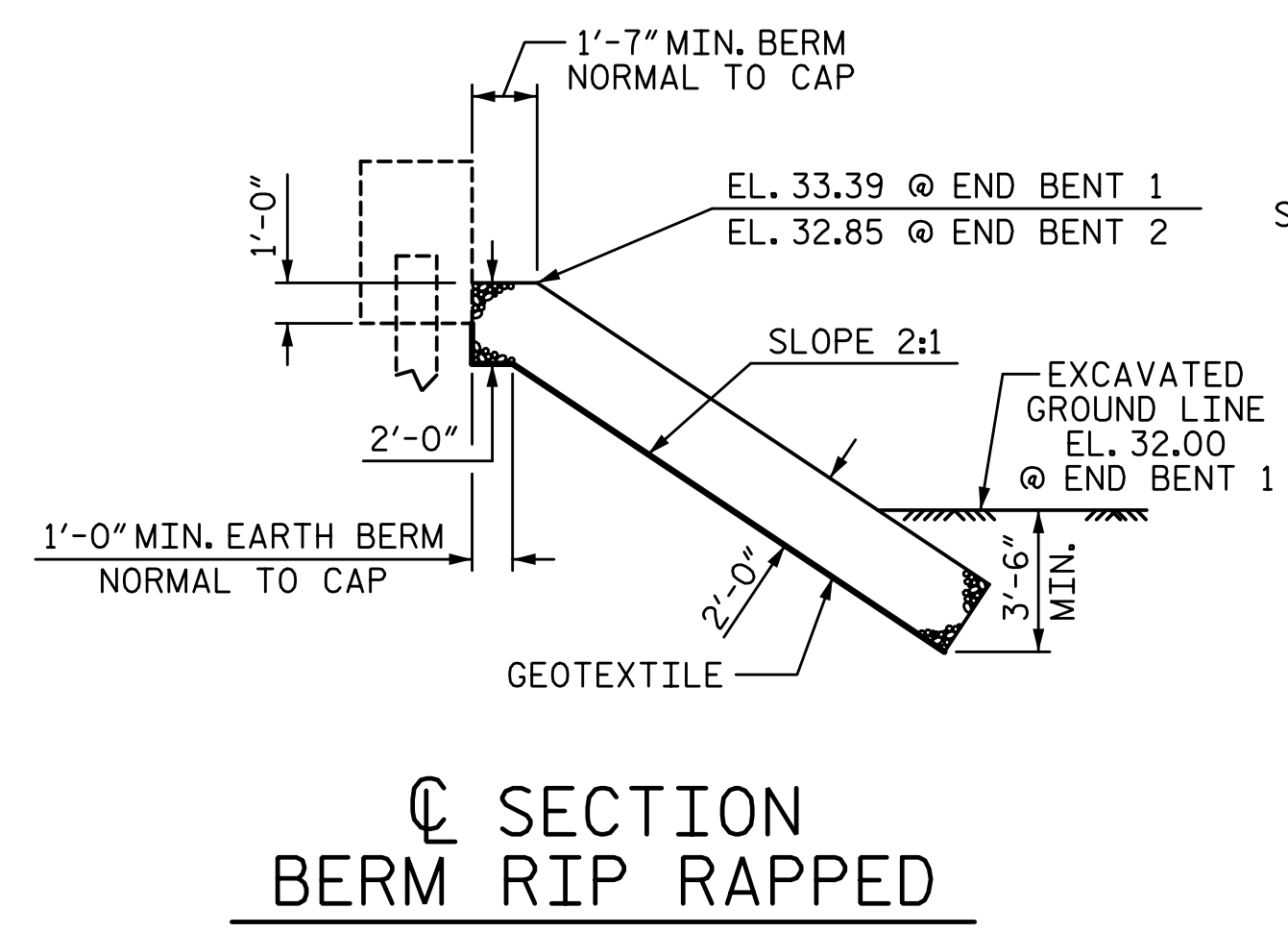


2/20/2020 2:19:51 PM G:\Projects\2018\Division 3 (SEA)\B-5626 (Onslow 31 NC50 over Sandy Run Swamp)\Structures\Drawings\Final\401\_B5626\_SMJ\_RR\_660031.dgn



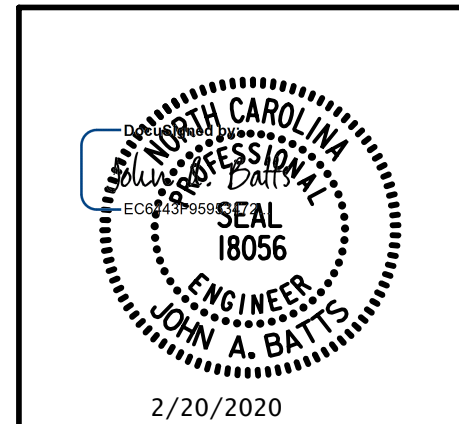
ESTIMATED QUANTITIES		
BRIDGE @ STA. 23+71.50 -L-	RIP RAP CLASS II (2'-0" THICK)	GEOTEXTILE FOR DRAINAGE
	TONS	SQUARE YARDS
END BENT 1	90	100
END BENT 2	120	135



PROJECT NO. B-5626  
ONSLow COUNTY  
 STATION: 23+71.50 -L-

STATE OF NORTH CAROLINA  
 DEPARTMENT OF TRANSPORTATION  
 RALEIGH

**RIP RAP DETAILS**



PLANS PREPARED BY:  
**S&A** ENGINEERS & ASSOCIATES  
 5640 Dillard Drive  
 Suite 200  
 Cary, NC 27518  
 (919) 852-0468  
 (919) 852-0598 (Fax)  
 www.simpsonengr.com  
 LICENSURE NO. C-2521

DRAWN BY: S.D. COOPER DATE: 2-20  
 CHECKED BY: J.A. BATTS DATE: 2-20  
 DESIGN ENGINEER OF RECORD: J.A. BATTS DATE: 2-20

REVISIONS						SHEET NO.
NO.	BY:	DATE:	NO.	BY:	DATE:	S-24
1			3			TOTAL SHEETS
2			4			26

**DOCUMENT NOT CONSIDERED FINAL  
 UNLESS ALL SIGNATURES COMPLETED**