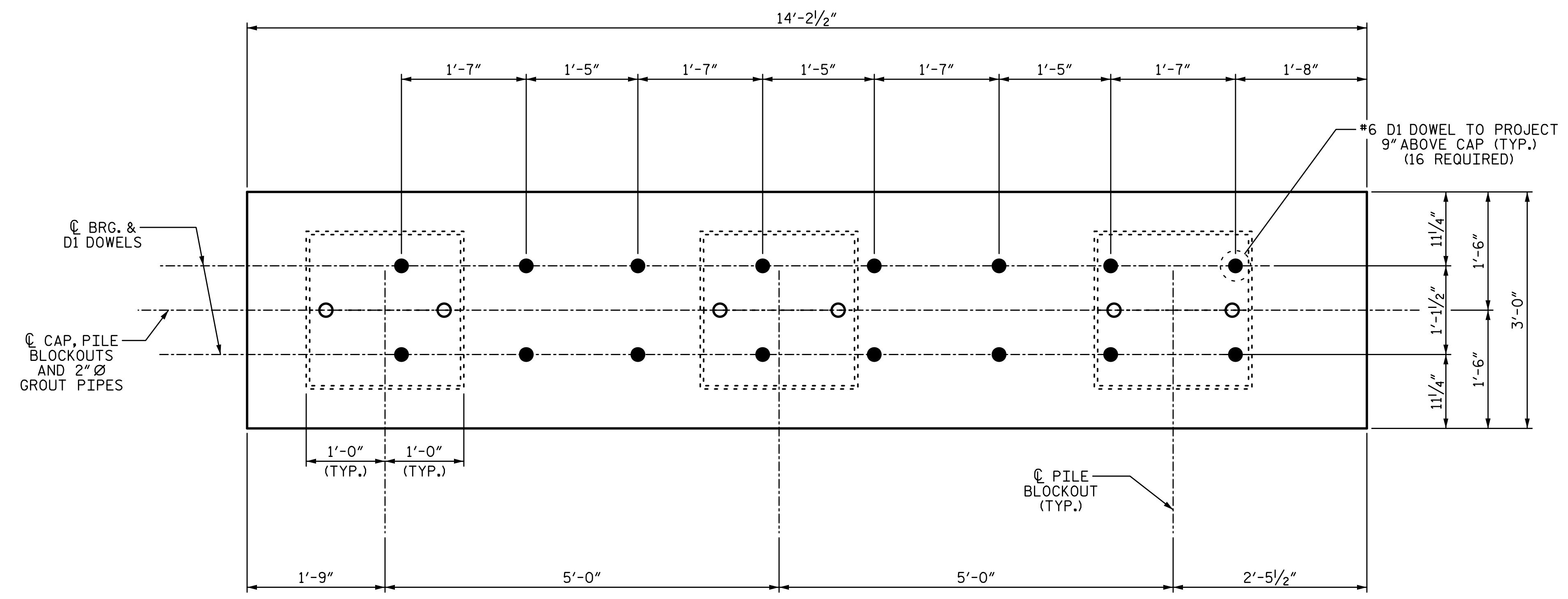
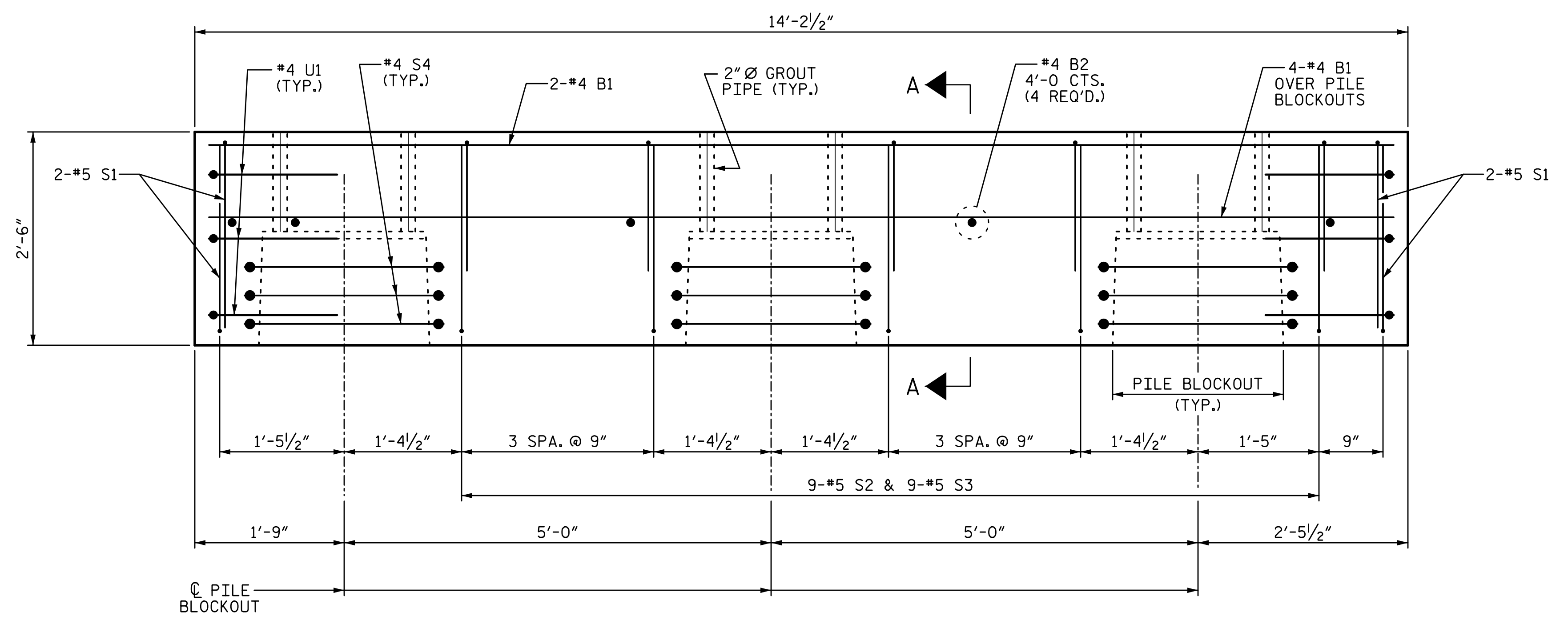


2/20/2020 2:19:50 PM G:\Projects\2018\Division 3 (SEA)\B-5626 (Onslow 31 NC50 over Sandy Run Swamp)\Structures\Drawings\Final\401\_B5626\_SMJ\_BT\_660031.dgn



**PLAN**

(FOR PILE BLOCKOUT DETAILS, SEE SHEET 5 OF 5)



**ELEVATION**

(\*6 D1 DOWELS NOT SHOWN FOR CLARITY)  
FOR SECTION A-A, SEE SHEET 5 OF 5.

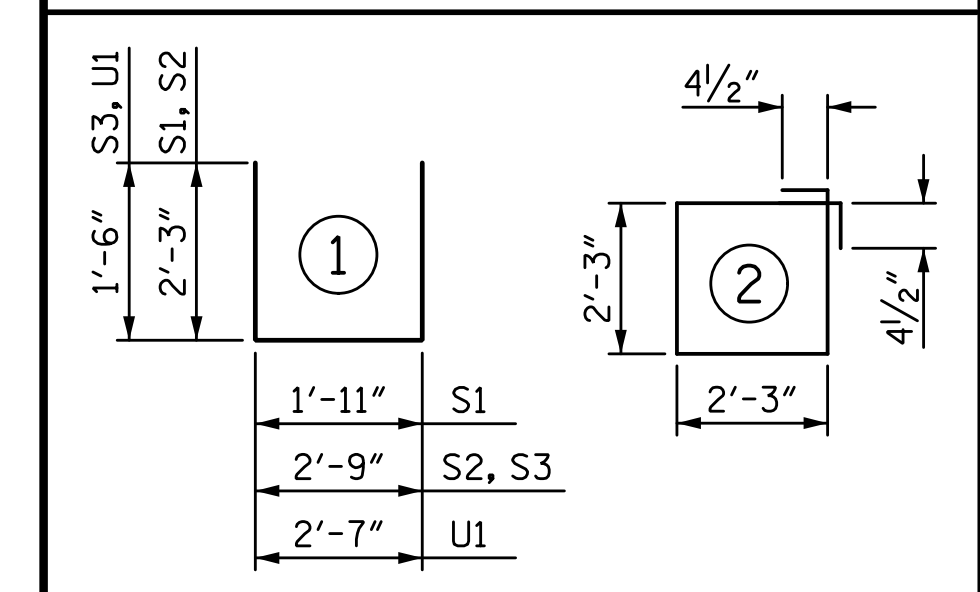
**BILL OF MATERIAL**

**FOR ONE PIECE B-01**

BAR	NO.	SIZE	TYPE	LENGTH	WEIGHT
B1	6	#4	STR	13'-10"	55
B2	4	#4	STR	2'-8"	7
D1	16	#6	STR	1'-6"	36
S1	8	#5	1	6'-5"	54
S2	9	#5	1	7'-3"	68
S3	9	#5	1	5'-9"	54
S4	9	#4	2	9'-9"	59
U1	6	#4	1	5'-7"	22

REINFORCING STEEL	355 LBS
4000 PSI PRESTRESS CONCRETE	3.4 C.Y.
PILE BLOCKOUT GROUT	0.6 C.Y.
0.6" Ø L.R. STRANDS	No. 12

**BAR TYPES**



ALL BAR DIMENSIONS ARE OUT TO OUT.

**GRADE 270 STRANDS**

AREA ( SQUARE INCHES )	0.217
ULTIMATE STRENGTH ( LBS. PER STRAND )	58,600
APPLIED PRESTRESS ( LBS. PER STRAND )	43,950

PROJECT NO. B-5626  
ONLOW COUNTY  
 STATION: 23+71.50 -L-

SHEET 3 OF 5

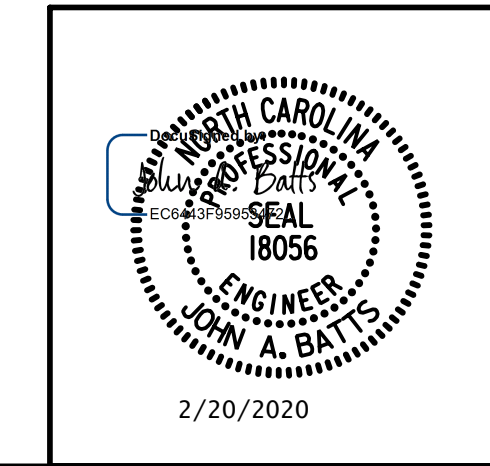
STATE OF NORTH CAROLINA  
 DEPARTMENT OF TRANSPORTATION  
 RALEIGH  
 SUBSTRUCTURE

**PRECAST  
 PIECE B-01**

REVISIONS						SHEET NO.
NO.	BY:	DATE:	NO.	BY:	DATE:	S-21
1			3			TOTAL SHEETS
2			4			26

PLANS PREPARED BY:

**SE & A**  
 SIMPSON ENGINEERS & ASSOCIATES  
 5640 Dillard Drive  
 Suite 200  
 Cary, NC 27518  
 (919) 852-0468  
 (919) 852-0598 (Fax)  
 www.simpsonengr.com  
 LICENSURE NO. C-2521



DRAWN BY: <u>S.D. COOPER</u>	DATE: <u>2-20</u>
CHECKED BY: <u>J.A. BATTS</u>	DATE: <u>2-20</u>
DESIGN ENGINEER OF RECORD: <u>J.A. BATTS</u>	DATE: <u>2-20</u>

**DOCUMENT NOT CONSIDERED FINAL  
 UNLESS ALL SIGNATURES COMPLETED**