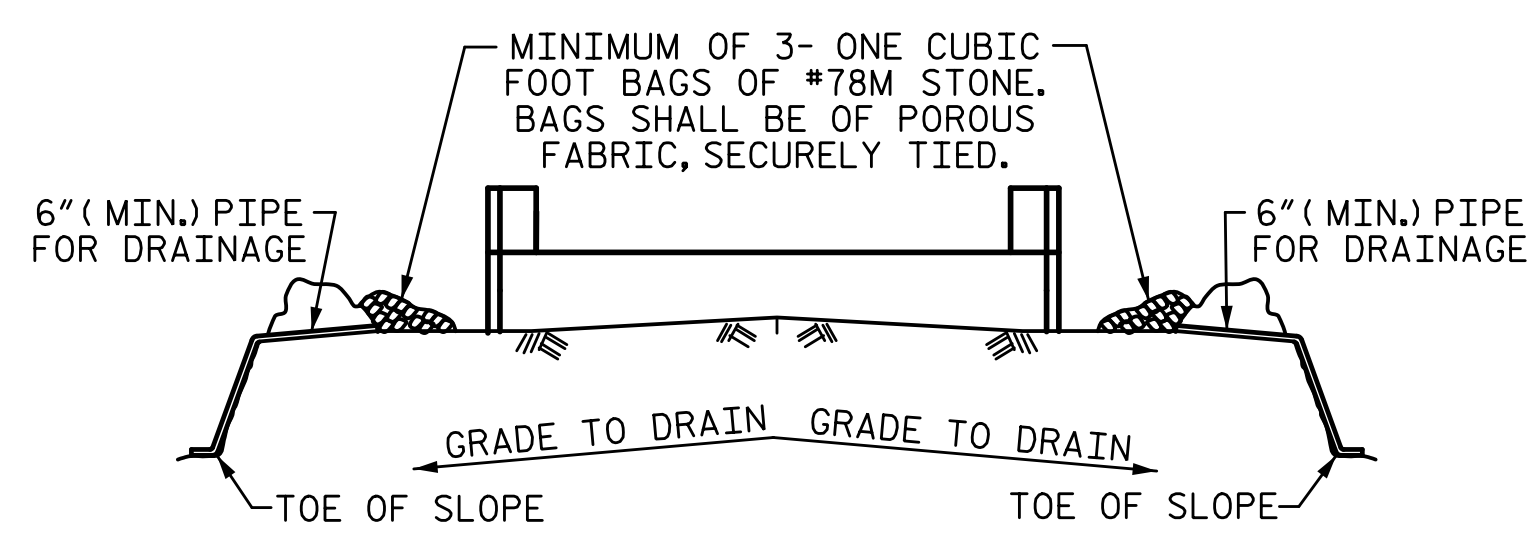


2/20/2020 2:19:49 PM G:\Projects\2018\Division 3 (SEA)\B-5626 (Onslow 31 NC50 over Sandy Run Swamp)\Structures\Drawings\Final\401\_B5626\_SMU\_EB\_660031.dgn

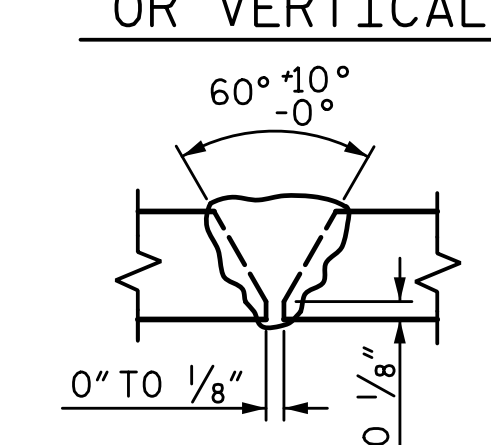
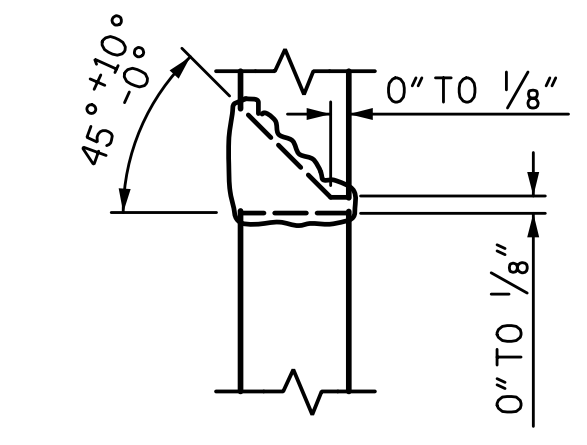
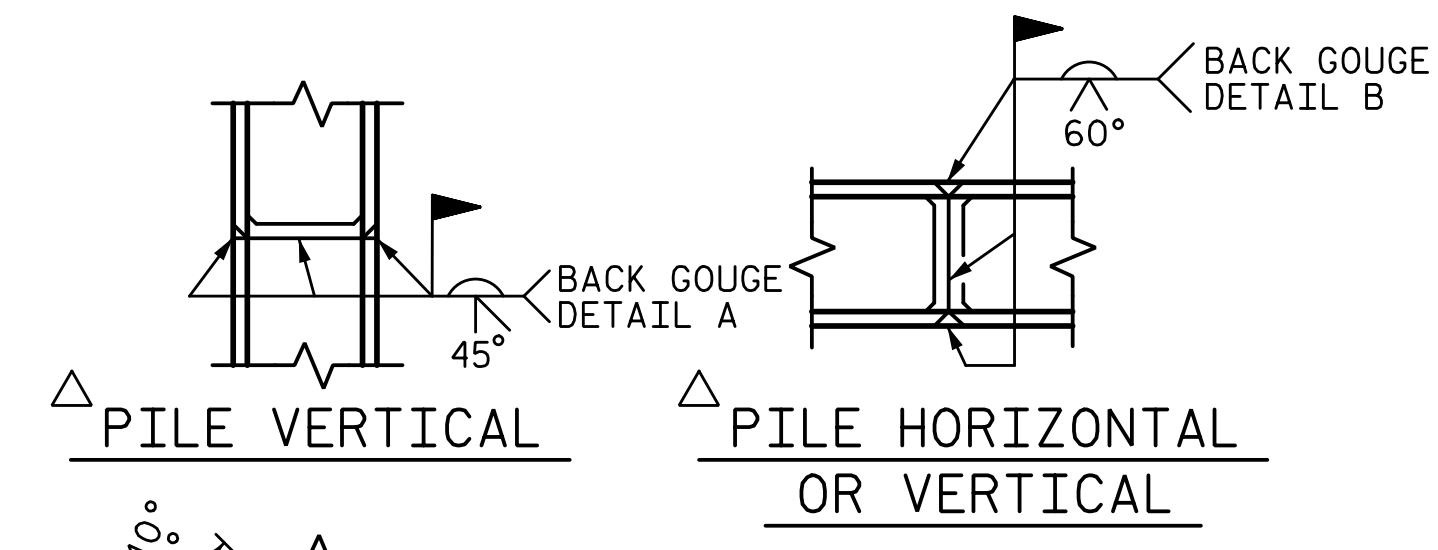


BAGGED STONE AND PIPE SHALL BE PLACED IMMEDIATELY AFTER COMPLETION OF END BENT EXCAVATION. PIPE MAY BE EITHER CONCRETE, CORRUGATED STEEL, CORRUGATED ALUMINUM ALLOY, OR CORRUGATED PLASTIC. PERFORATED PIPE WILL NOT BE ALLOWED.

BAGGED STONE SHALL REMAIN IN PLACE UNTIL THE ENGINEER DIRECTS THAT IT BE REMOVED. THE CONTRACTOR SHALL REMOVE AND DISPOSE OF SILT ACCUMULATIONS AT BAGGED STONE WHEN SO DIRECTED BY THE ENGINEER. BAGS SHALL BE REMOVED AND REPLACED WHENEVER THE ENGINEER DETERMINES THAT THEY HAVE DETERIORATED AND LOST THEIR EFFECTIVENESS.

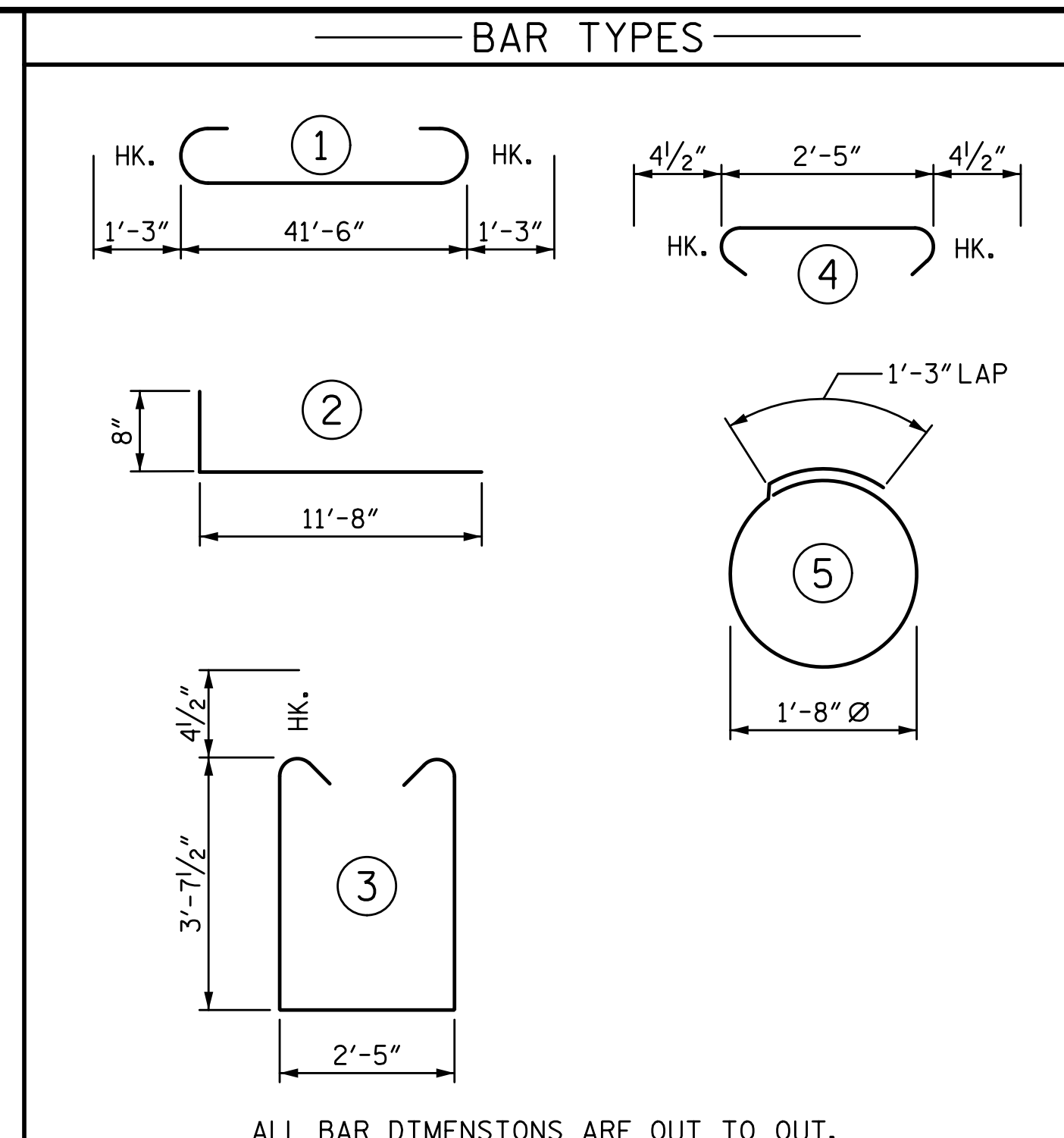
NO SEPARATE PAYMENT WILL BE MADE FOR THIS WORK AND THE ENTIRE COST OF THIS WORK SHALL BE INCLUDED IN THE UNIT CONTRACT PRICE BID FOR THE SEVERAL PAY ITEMS.

**TEMPORARY DRAINAGE AT END BENT**



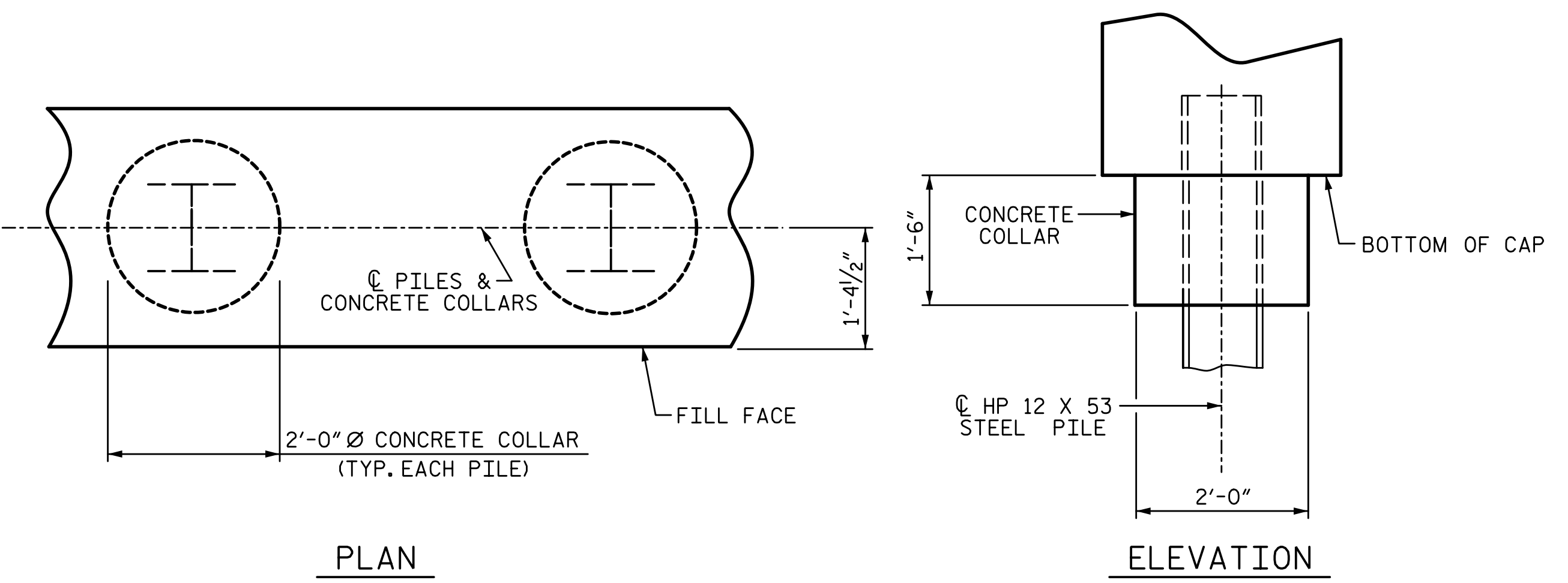
POSITION OF PILE DURING WELDING.

**PILE SPLICE DETAILS**



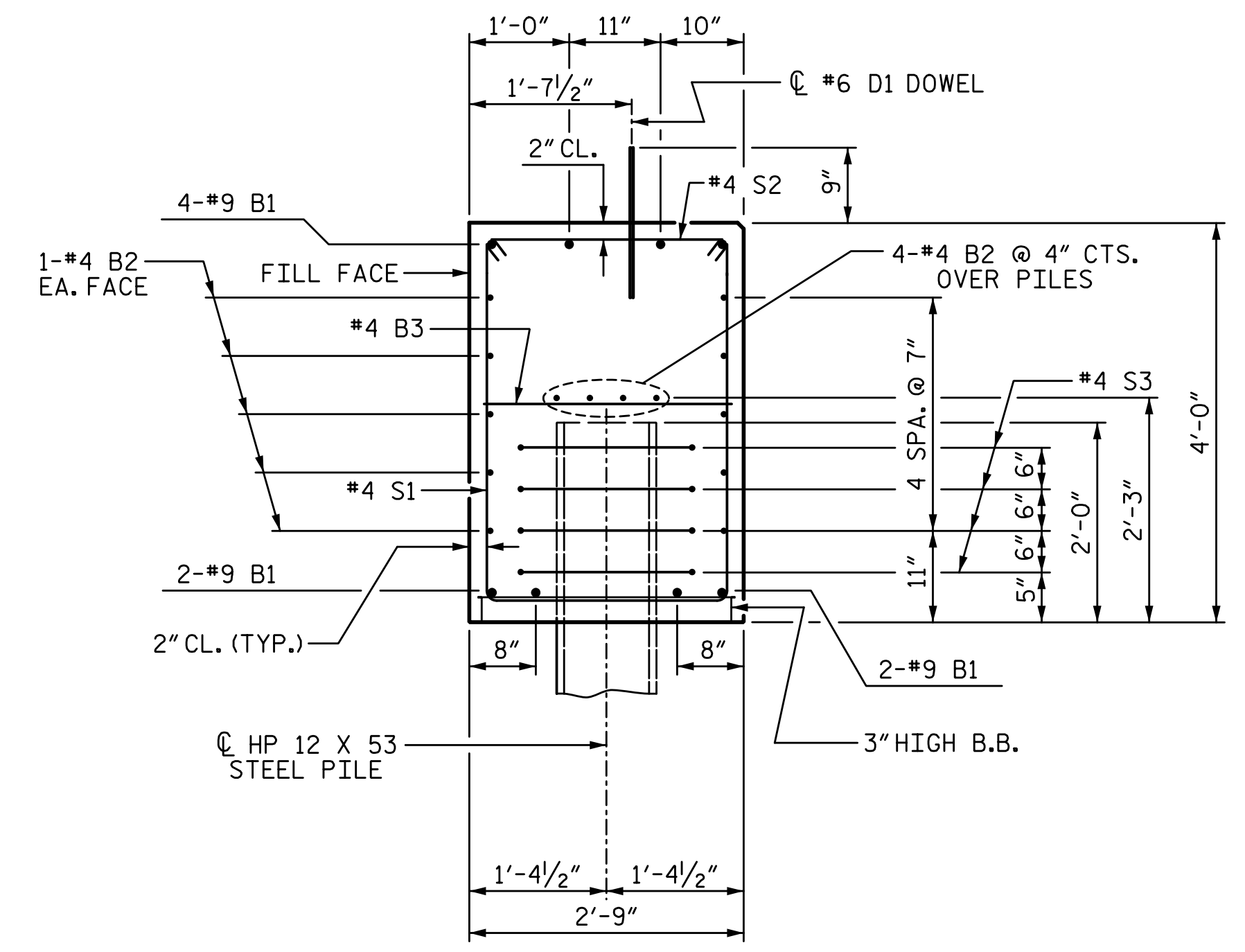
ALL BAR DIMENSIONS ARE OUT TO OUT.

BILL OF MATERIAL FOR ONE END BENT					
BAR	NO.	SIZE	TYPE	LENGTH	WEIGHT
B1	8	#9		44'-0"	1197
B2	28	#4	STR	22'-1"	413
B3	11	#4	STR	2'-5"	18
D1	24	#6	STR	1'-6"	54
H1	40	#4	2	12'-4"	330
K1	16	#4	STR	2'-11"	31
S1	56	#4	3	10'-5"	390
S2	56	#4	4	3'-2"	118
S3	28	#4	5	6'-6"	122
V1	64	#4	STR	6'-2"	264
REINFORCING STEEL (FOR ONE END BENT)					2937 LB
CLASS A CONCRETE BREAKDOWN (FOR ONE END BENT)					
POUR 1	CAP, LOWER PART OF WINGS & COLLARS				21.6 CY
POUR 2	UPPER PART OF WINGS				2.7 CY
TOTAL CLASS A CONCRETE					24.3 CY

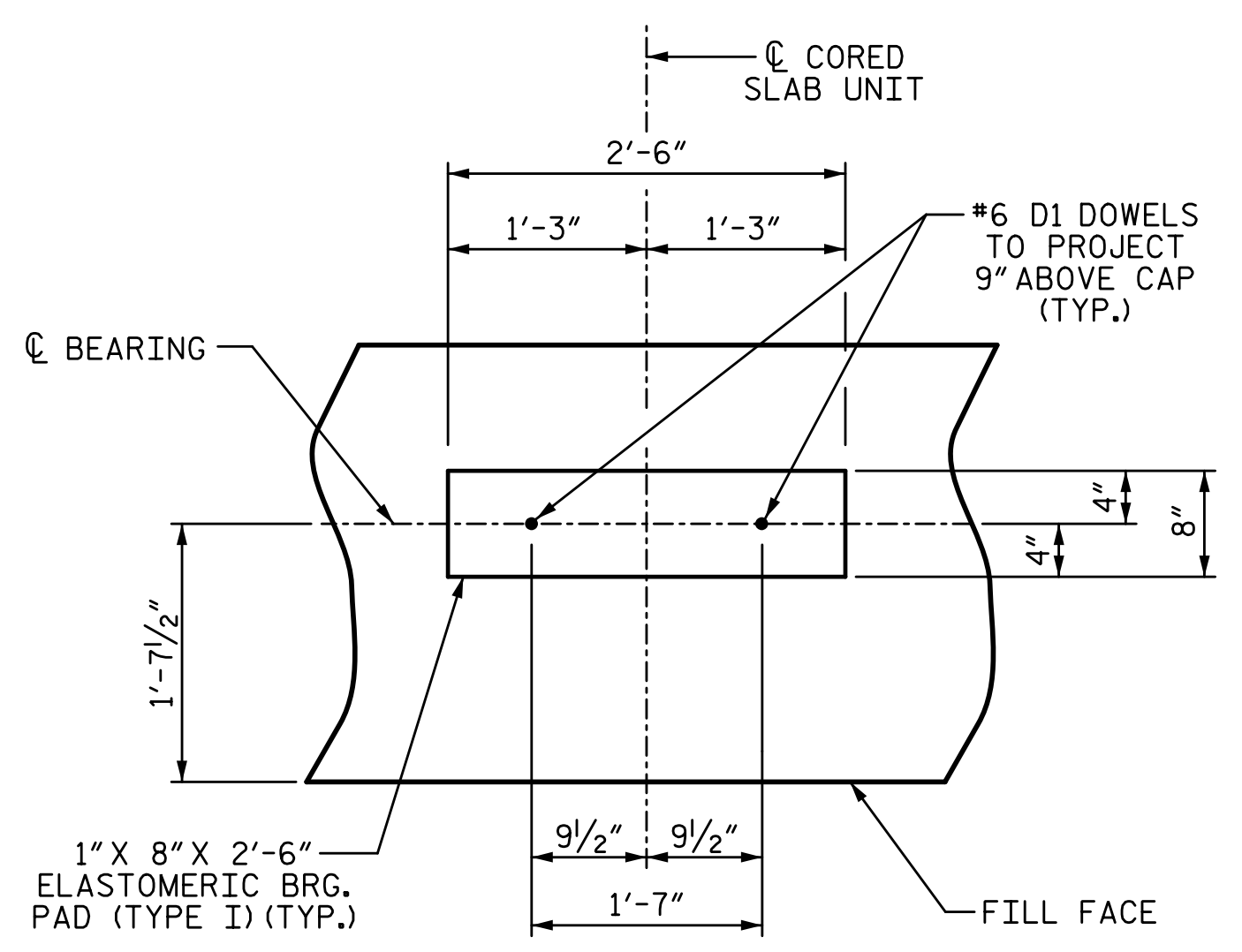


**CORROSION PROTECTION FOR STEEL PILES DETAIL**

(END BENT 1 SHOWN, END BENT 2 SIMILAR BY ROTATION)



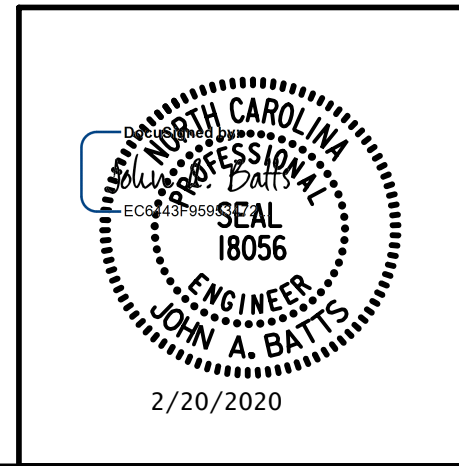
(CONCRETE COLLAR NOT SHOWN FOR CLARITY. SEE "CORROSION PROTECTION FOR STEEL PILES DETAIL.")



(END BENT 1 SHOWN, END BENT 2 SIMILAR BY ROTATION)

DRAWN BY: S.D. COOPER	DATE: 2-20
CHECKED BY: J.A. BATTS	DATE: 2-20
DESIGN ENGINEER OF RECORD: J.A. BATTS	DATE: 2-20

PLANS PREPARED BY:  
**SEA**  
 IMPSON ENGINEERS ASSOCIATES  
 5640 Dillard Drive  
 Suite 200  
 Cary, NC 27518  
 (919) 852-0468  
 (919) 852-0598 (Fax)  
 www.simpsonengr.com  
 LICENSURE NO. C-2521



PROJECT NO. B-5626  
ONSLow COUNTY  
 STATION: 23+71.50 -L-  
 SHEET 4 OF 4

STATE OF NORTH CAROLINA DEPARTMENT OF TRANSPORTATION RALEIGH SUBSTRUCTURE					
END BENT 1 & 2 DETAILS					
REVISIONS					
NO.	BY:	DATE:	NO.	BY:	DATE:
1			3		
2			4		

SHEET NO. S-18				
TOTAL SHEETS 26				

DOCUMENT NOT CONSIDERED FINAL UNLESS ALL SIGNATURES COMPLETED