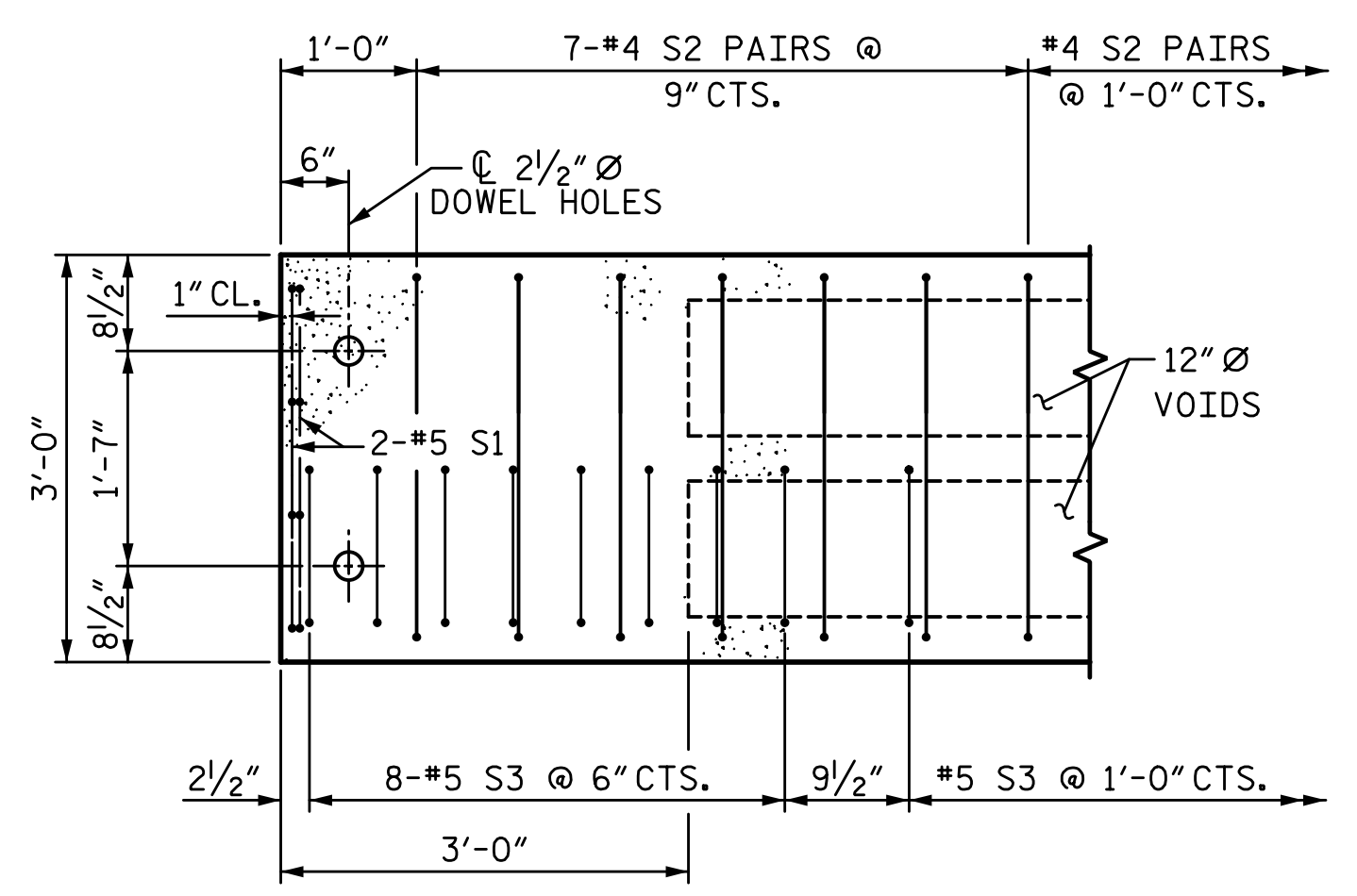
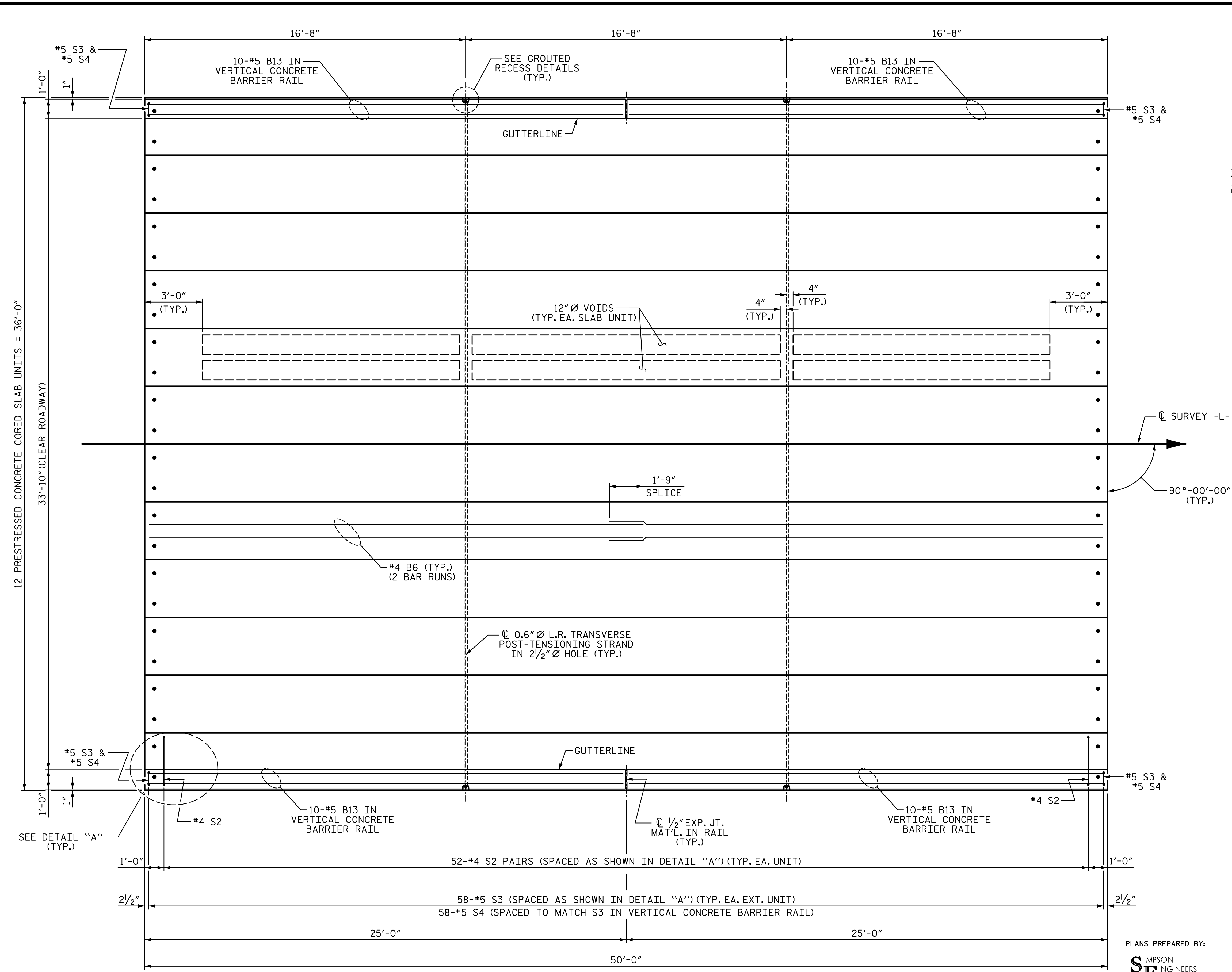


2/20/2020 2:19:47 PM G:\Projects\2018\Division 3 (SEA)\B-5626 (Onslow 31 NC50 over Sandy Run Swamp)\Structures\Drawings\Final\401_B5626_SMJ_SUPER_660031.dgn



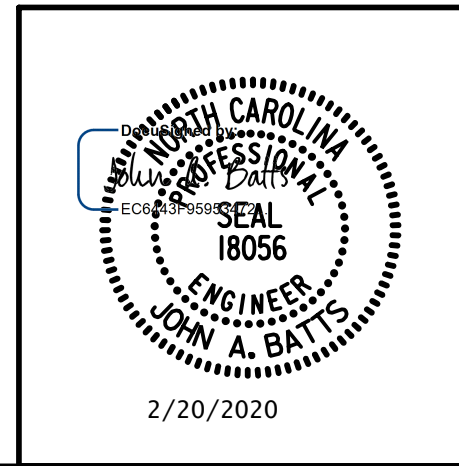
DETAIL "A"
 (TYPICAL EACH END OF UNIT)
 NOTE: EXTERIOR UNIT SHOWN - INTERIOR UNIT SIMILAR EXCEPT OMIT #5 S3 BARS.

PLAN OF SPAN C

PROJECT NO. B-5626
ONSLow COUNTY
 STATION: 23+71.50 -L-

SHEET 4 OF 6
 STATE OF NORTH CAROLINA
 DEPARTMENT OF TRANSPORTATION
 RALEIGH
 SUPERSTRUCTURE
 PLAN OF SPAN C
 (50'-0" UNIT)
 33'-10" CLEAR ROADWAY
 90° SKEW

PLANS PREPARED BY:
SEA & A
 SIMPSON ENGINEERS & ASSOCIATES
 5640 Dillard Drive
 Suite 200
 Cary, NC 27518
 (919) 852-0468
 (919) 852-0598 (Fax)
 www.simpsonengr.com
 LICENSURE NO. C-2521



DRAWN BY: S.D. COOPER DATE: 2-20
 CHECKED BY: J.A. BATTS DATE: 2-20
 DESIGN ENGINEER OF RECORD: J.A. BATTS DATE: 2-20

REVISIONS						SHEET NO.
NO.	BY:	DATE:	NO.	BY:	DATE:	S-11
1			3			TOTAL SHEETS
2			4			26

**DOCUMENT NOT CONSIDERED FINAL
 UNLESS ALL SIGNATURES COMPLETED**