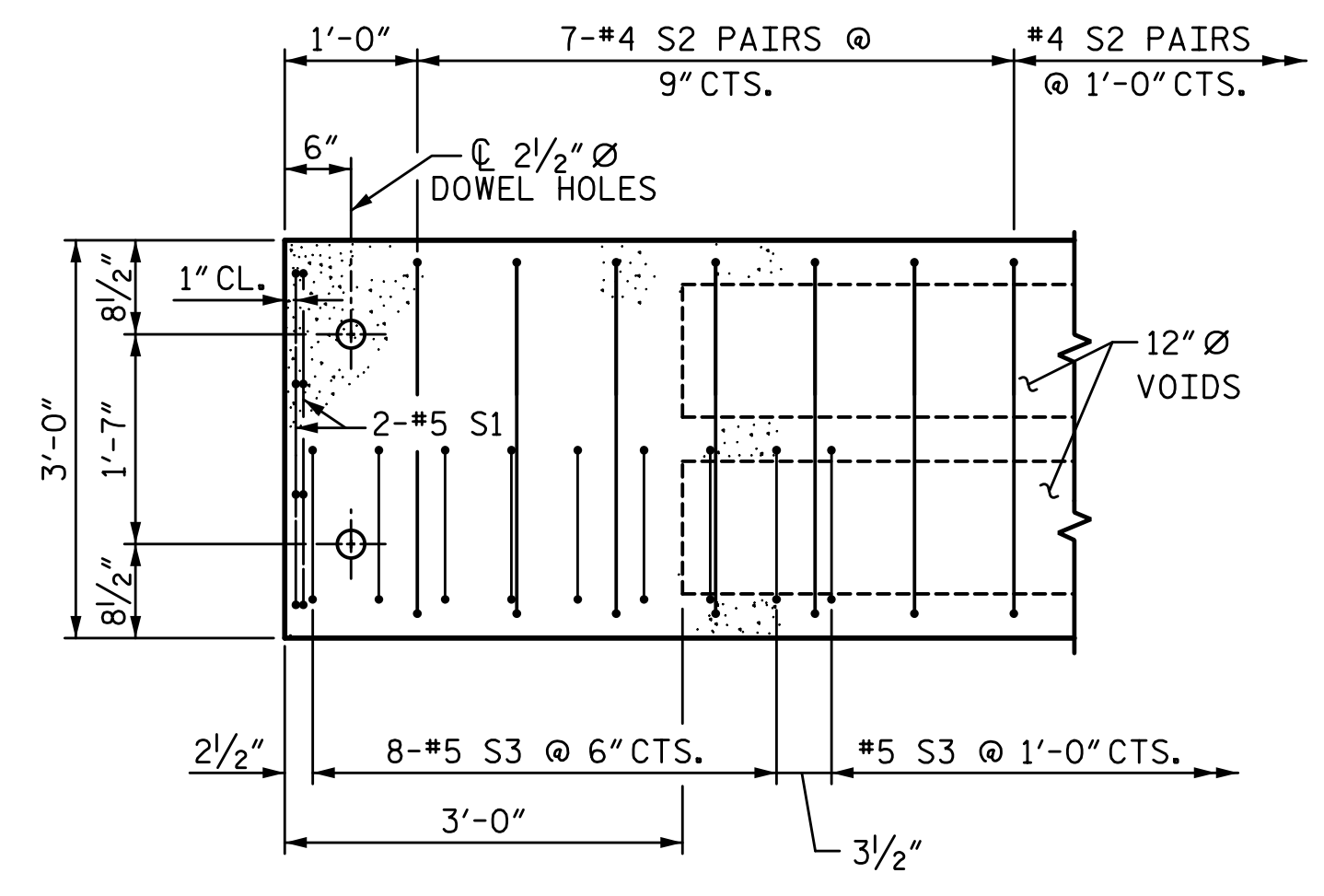
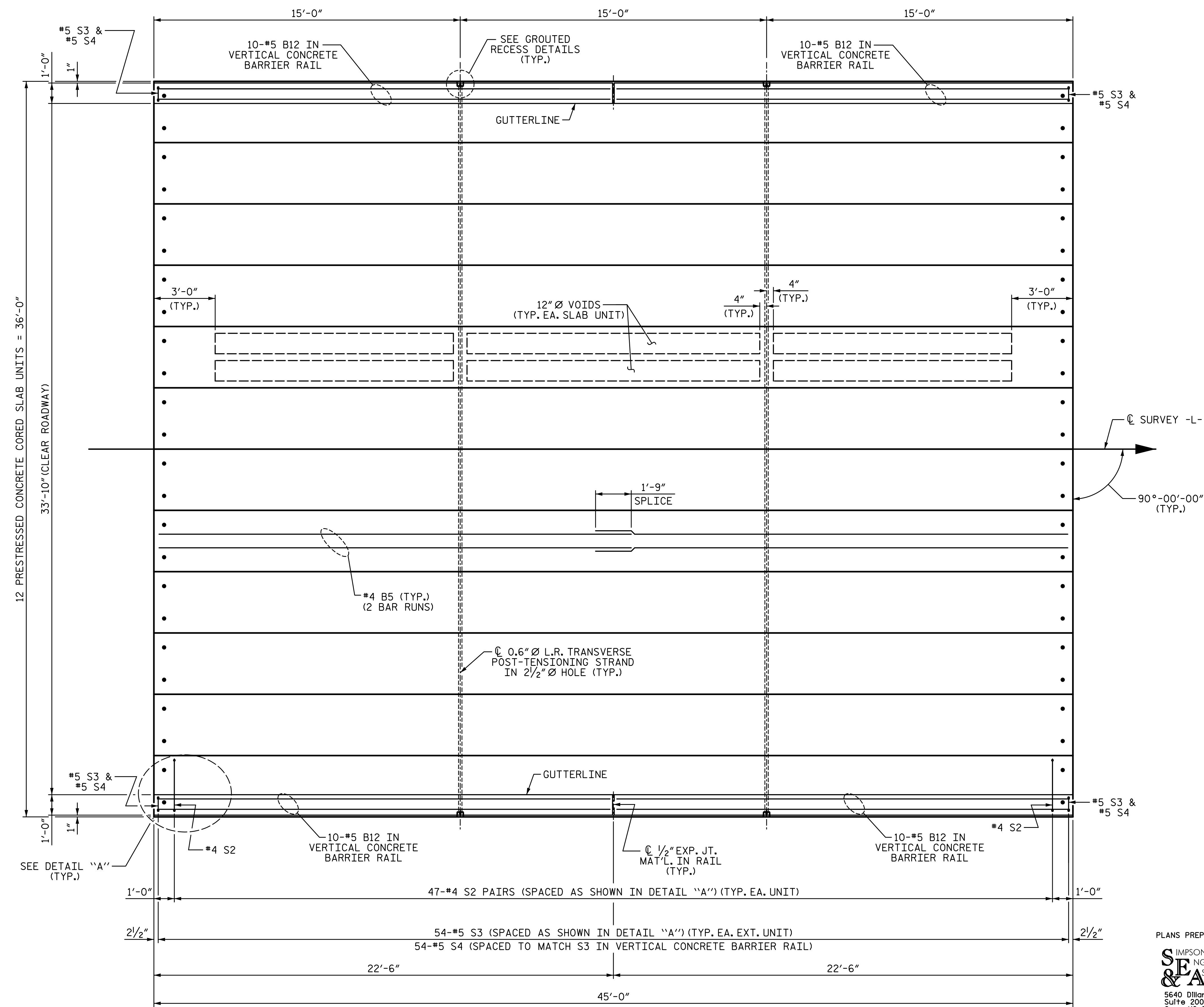


2/20/2020 2:19:47 PM G:\Projects\2018\Division 3 (SEA)\B-5626 (Onslow 31 NC50 over Sandy Run Swamp)\Structures\Drawings\Final\401\_B5626\_SMJ\_SUPER\_660031.dgn



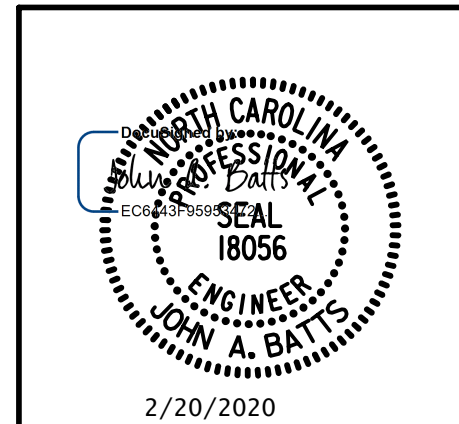
**DETAIL "A"**  
 (TYPICAL EACH END OF UNIT)  
 NOTE: EXTERIOR UNIT SHOWN - INTERIOR UNIT SIMILAR EXCEPT OMIT #5 S3 BARS.

PROJECT NO. B-5626  
ONSLow COUNTY  
 STATION: 23+71.50 -L-

SHEET 2 OF 6

STATE OF NORTH CAROLINA  
 DEPARTMENT OF TRANSPORTATION  
 RALEIGH  
 SUPERSTRUCTURE  
 PLAN OF SPAN A  
 (45'-0" UNIT)  
 33'-10" CLEAR ROADWAY  
 90° SKEW

PLANS PREPARED BY:  
**SEA**  
 SIMPSON ENGINEERS & ASSOCIATES  
 5640 Dillard Drive  
 Suite 200  
 Cary, NC 27518  
 (919) 852-0468  
 (919) 852-0598 (Fax)  
 www.simpsonengr.com  
 LICENSURE NO. C-2521



| REVISIONS |     |       |     |     |       | SHEET NO.    |
|-----------|-----|-------|-----|-----|-------|--------------|
| NO.       | BY: | DATE: | NO. | BY: | DATE: | S-9          |
| 1         |     |       | 3   |     |       | TOTAL SHEETS |
| 2         |     |       | 4   |     |       | 26           |

DRAWN BY: S.D. COOPER DATE: 2-20  
 CHECKED BY: J.A. BATTS DATE: 2-20  
 DESIGN ENGINEER OF RECORD: J.A. BATTS DATE: 2-20

**PLAN OF SPAN A**

**DOCUMENT NOT CONSIDERED FINAL  
 UNLESS ALL SIGNATURES COMPLETED**