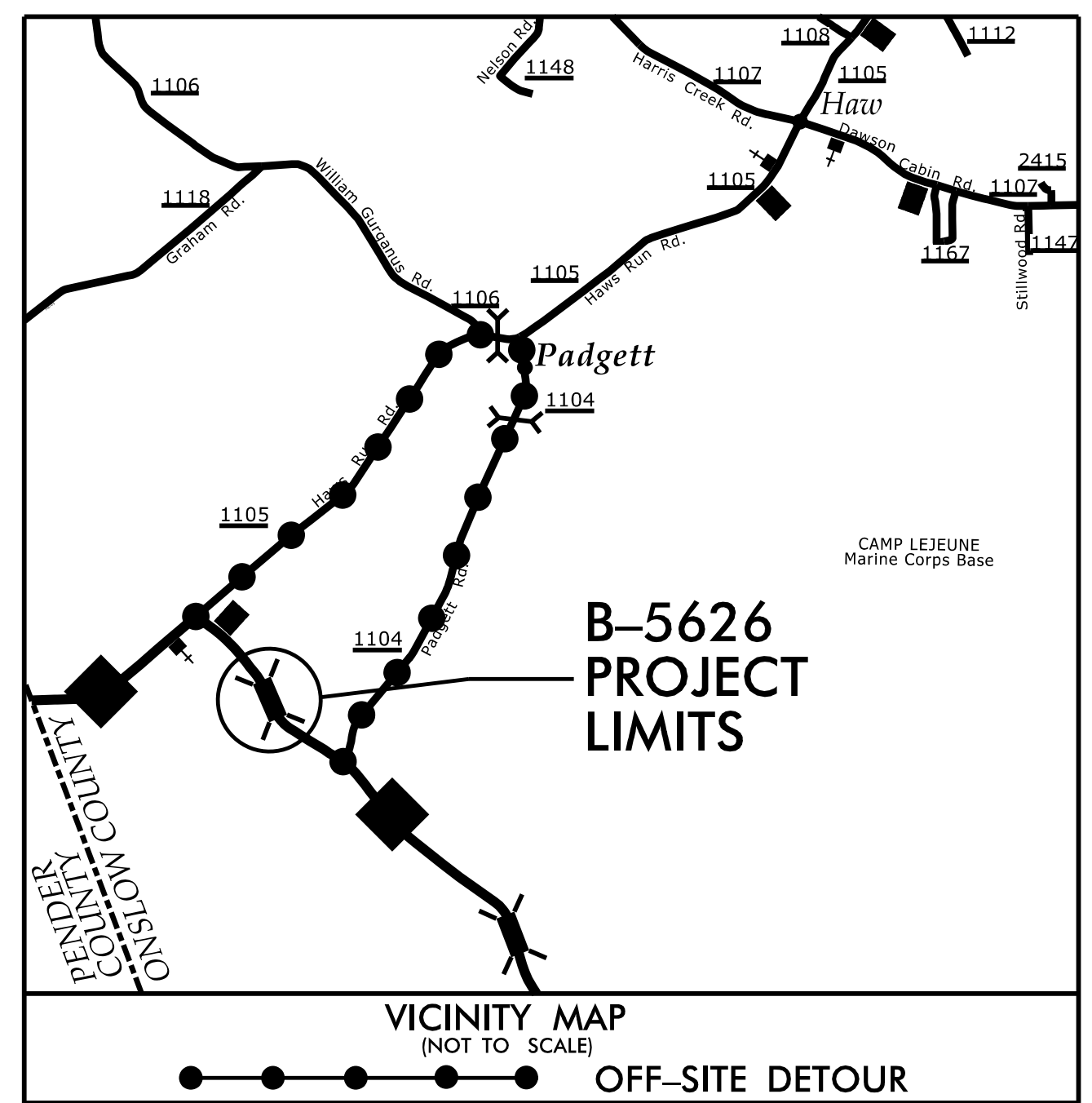


09/08/99

PROJECT: B-5626



STATE OF NORTH CAROLINA
DIVISION OF HIGHWAYS

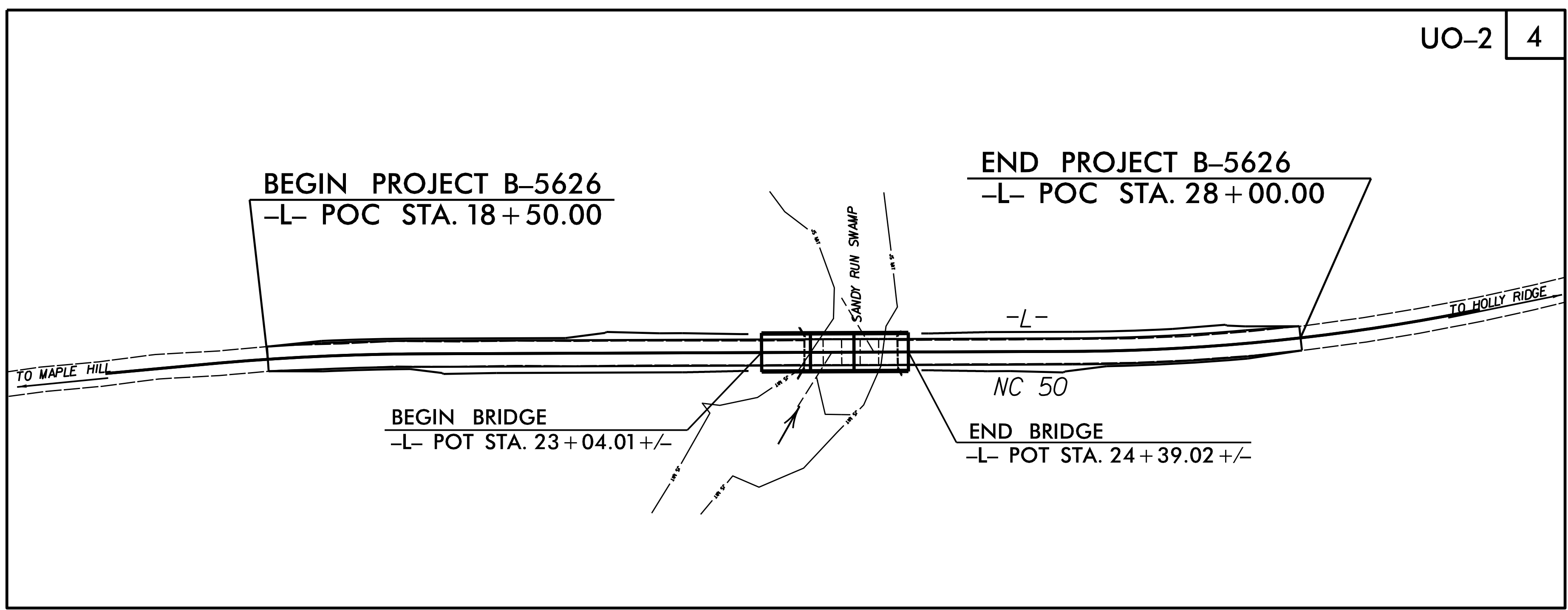
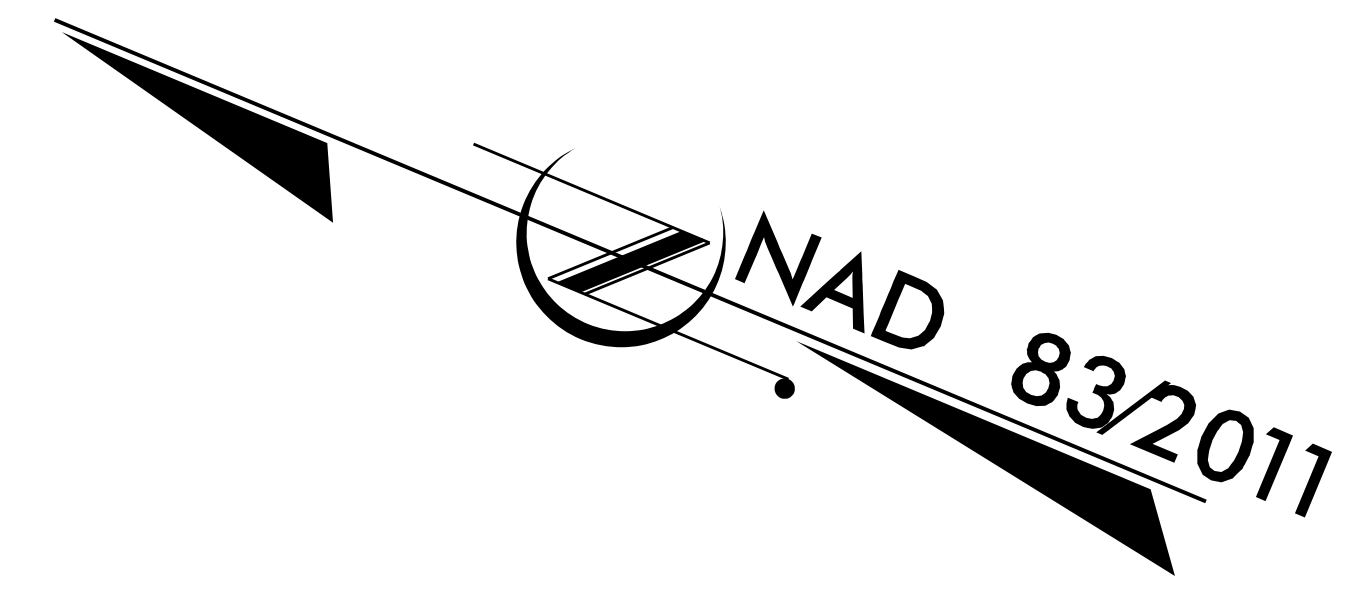
**UTILITIES BY OTHERS PLANS
ON SLOW COUNTY**

LOCATION: BRIDGE NO. 31 OVER SANDY RUN SWAMP
ON NC 50

TYPE OF WORK: RELOCATION OF COMMUNICATION LINES

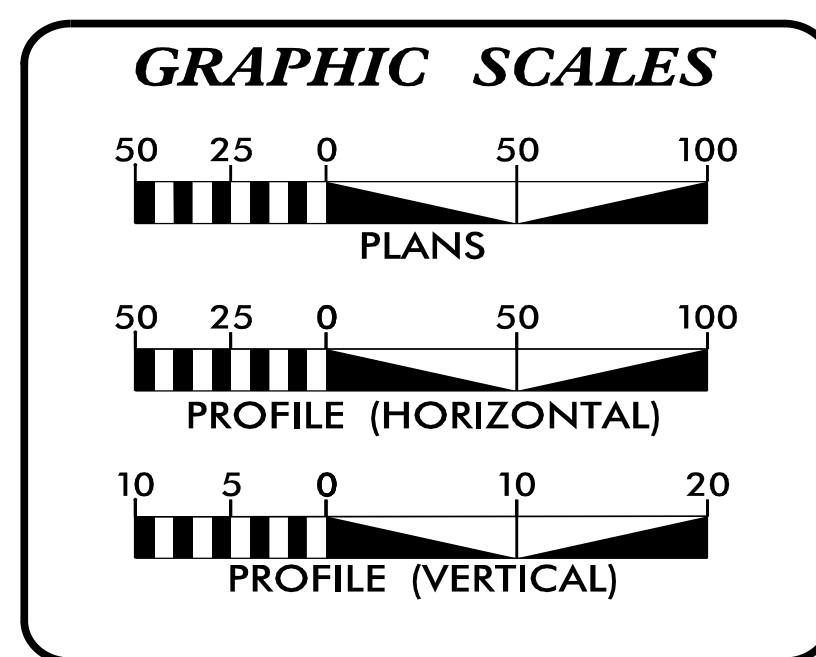
T.I.P. NO.	SHEET NO.
B-5626	UO-1

NOTE:
ALL UTILITY WORK SHOWN ON THIS SHEET WILL BE DONE BY OTHERS.
NO PAYMENT WILL BE MADE TO THE CONTRACTOR FOR UTILITY WORK SHOWN ON THIS SHEET.



UO-2 4

CONTRACT:



SHEET NO.:	DESCRIPTION:
UO-1	TITLE SHEET
UO-2	UBO PLAN SHEET

UTILITY OWNERS WITH CONFLICTS

(A) COMMUNICATIONS - SPECTRUM

PREPARED IN THE OFFICE OF:

SO-DEEP | SAM NC

SO-DEEP | SAM NC, Inc.
A SAM COMPANY
2800-154 Summer Boulevard, Raleigh, NC 27616 Tel 919-878-7466

WEBB WHITE UTILITY PROJECT MANAGER
CHRIS TRAVIS PROJECT UTILITY COORDINATOR

DIVISION OF HIGHWAYS
UTILITIES UNIT
1555 MAIL SERVICES CENTER
RALEIGH NC 27699-1555
PHONE (919) 707-6690
FAX (919) 250-4151

Nabil Hamdan UTILITIES REGIONAL ENGINEER
Kelvin Martin, EI UTILITIES ENGINEER
Kyle Pleasant UTILITIES AREA COORDINATOR
Larry James, Jr UTILITIES COORDINATOR

\$\$\$\$\$ SYSTEM \$\$\$\$\$\$
\$\$\$\$\$ DDN \$\$\$\$\$\$
\$\$\$\$\$ USERNAME \$\$\$\$\$\$