
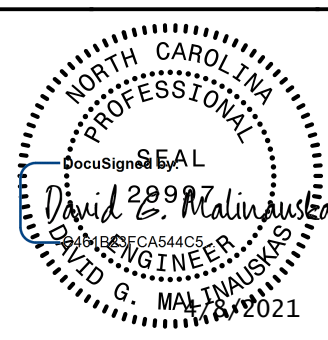
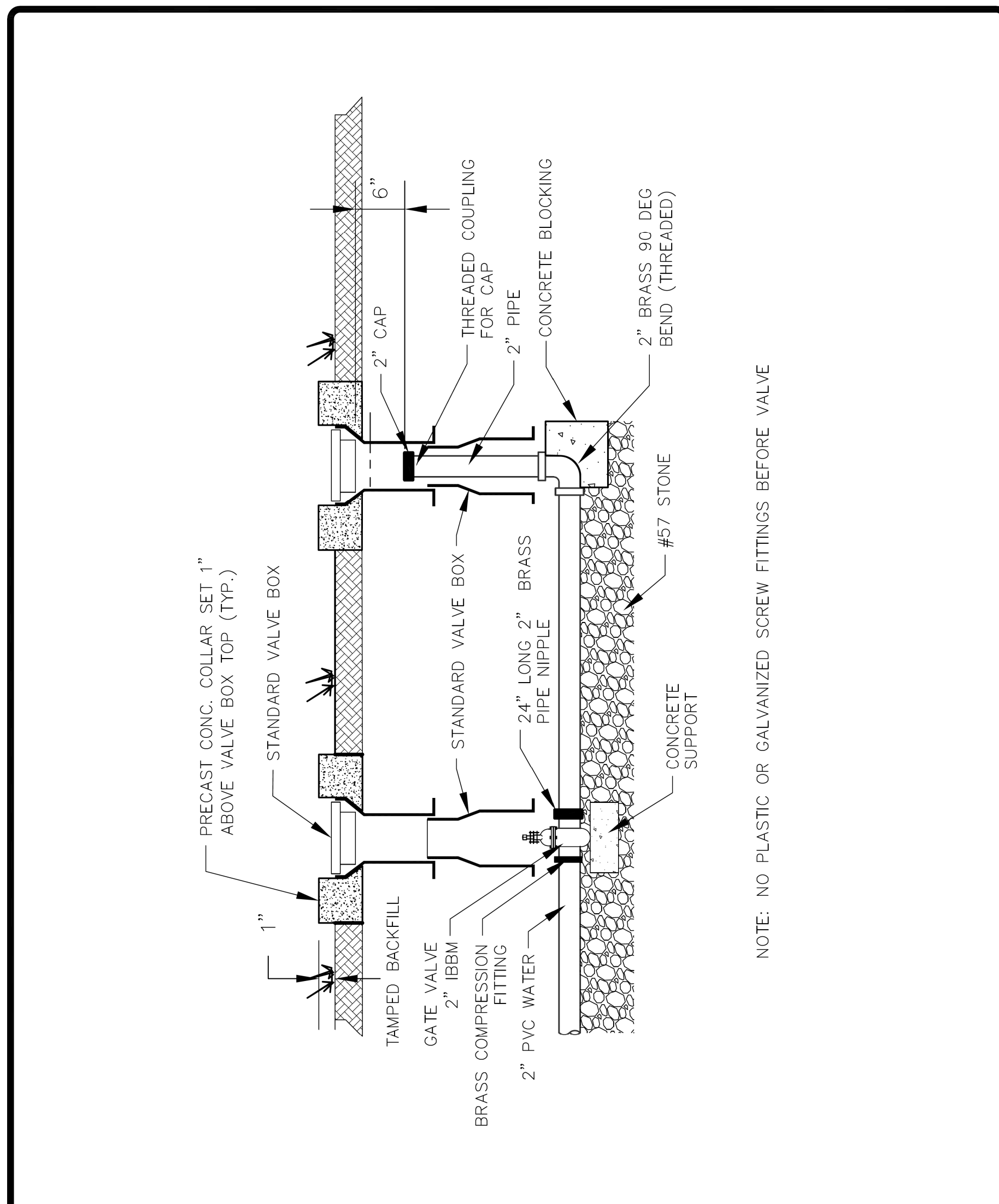



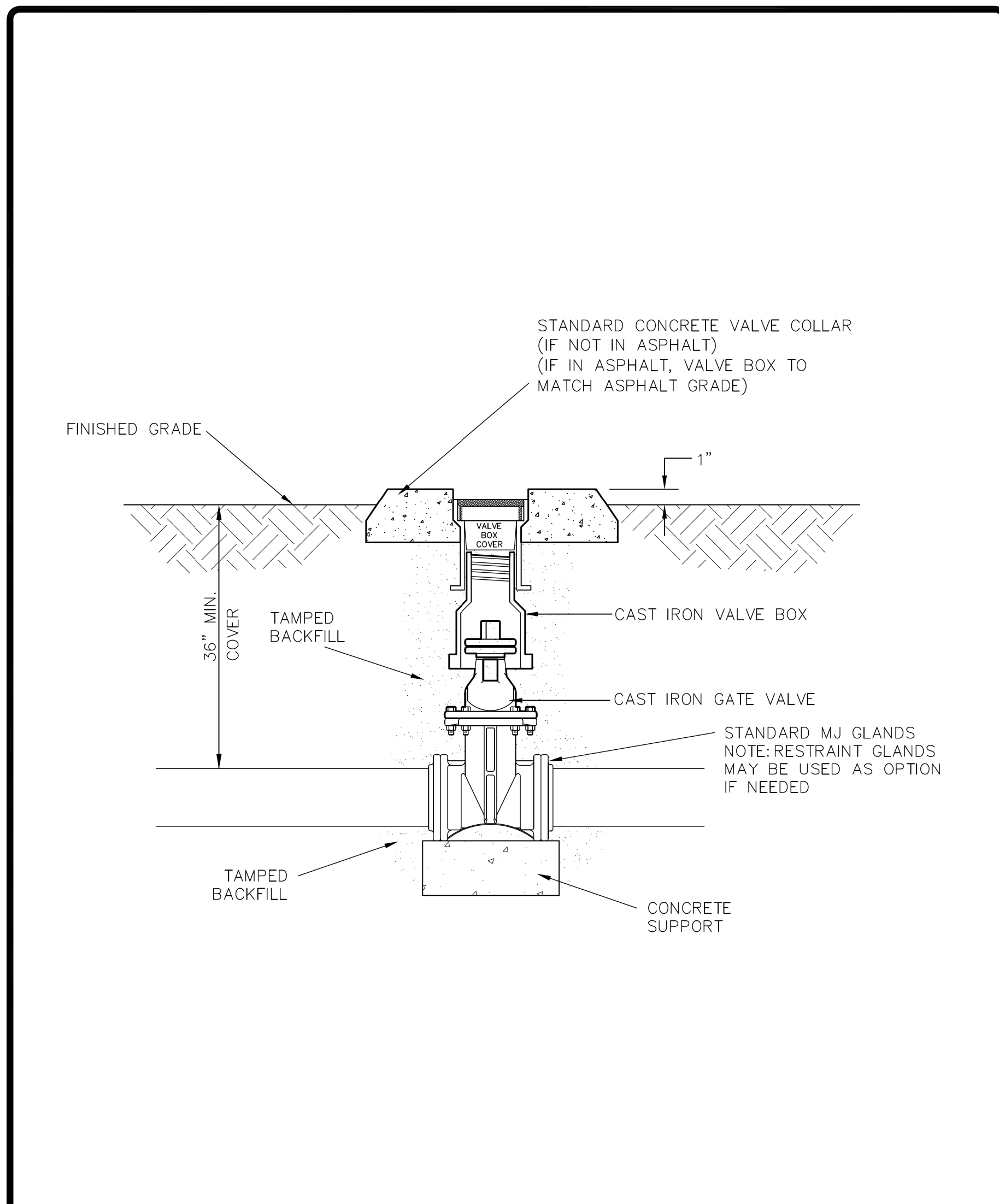
PROJECT WATER DETAILS


PREPARED IN THE OFFICE OF:  THE WOOTEN COMPANY <small>120 North Randle Avenue Raleigh, NC 27603-1423 919.878.0331 Fax 919.878.3169 License Number: F-0115</small>	PROJECT REFERENCE NO. B-5626	SHEET NO. UC-3A
	DESIGNED BY: DGM	
	DRAWN BY: TK	
CHECKED BY: CMG		
APPROVED BY: DGM	REVISED:	
NORTH CAROLINA DEPARTMENT OF TRANSPORTATION UTILITIES ENGINEERING SEC. PHONE: (919) 707-6690 FAX: (919) 250-4151		
WATER LINE CONSTRUCTION SHOWN ON THIS SHEET		

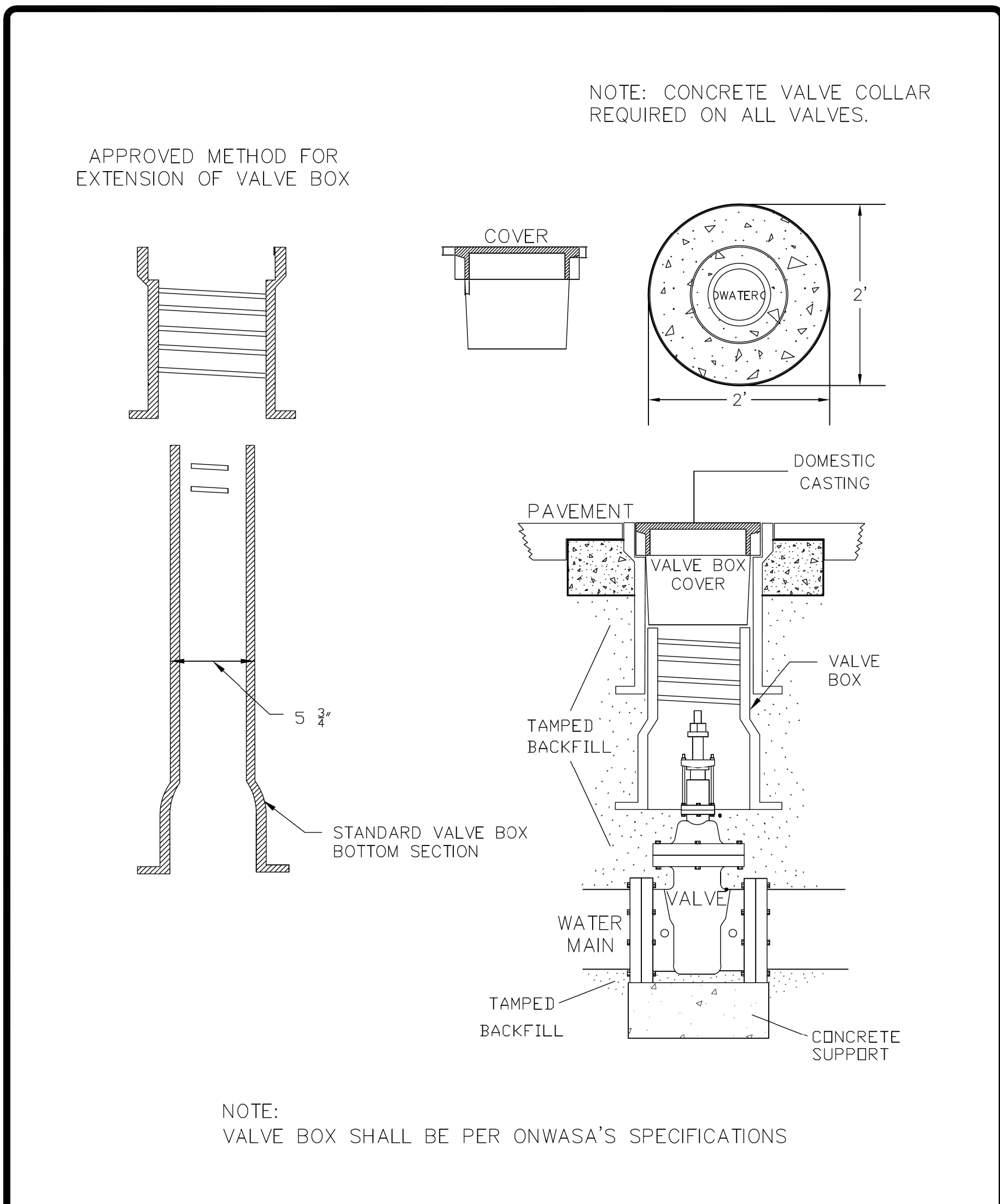
UTILITY CONSTRUCTION




	Onslow Water & Sewer Authority <small>USE WITH "ONWASA MANUAL OF SPECIFICATIONS, STANDARDS and DETAILS, latest revision"</small>	
	2-INCH PERMANENT BLOW OFF ASSEMBLY	SCALE: Not To Scale REVISION DATE: May, 2016



	Onslow Water & Sewer Authority <small>USE WITH "ONWASA MANUAL OF SPECIFICATIONS, STANDARDS and DETAILS, latest revision"</small>	
	INLINE VALVE DETAIL	SCALE: Not To Scale REVISION DATE: May, 2016



	Onslow Water & Sewer Authority <small>USE WITH "ONWASA MANUAL OF SPECIFICATIONS, STANDARDS and DETAILS, latest revision"</small>	
	VALVE BOX INSTALLATION	SCALE: Not To Scale REVISION DATE: May, 2016

01/15/2016 10:00 AM