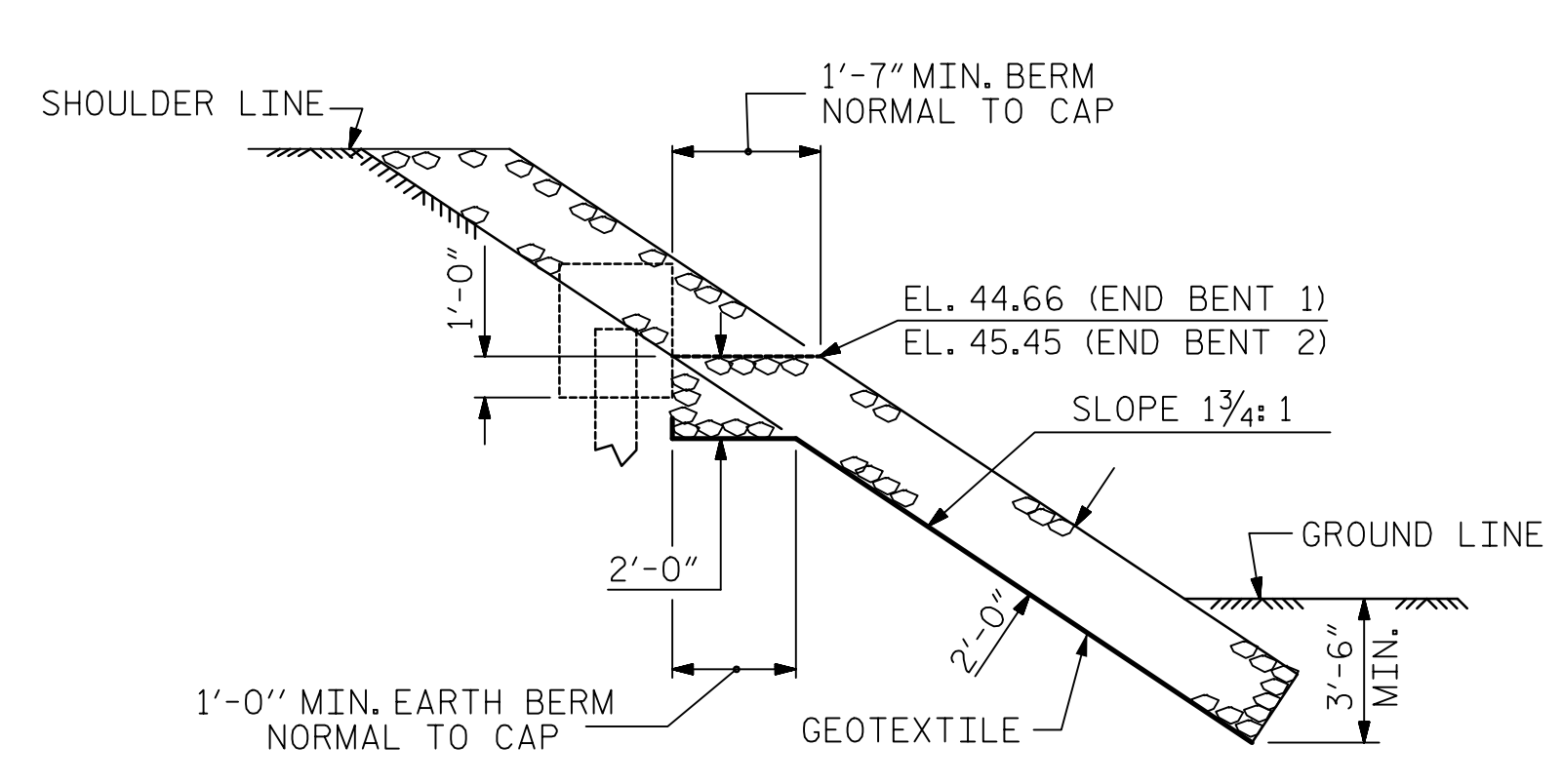
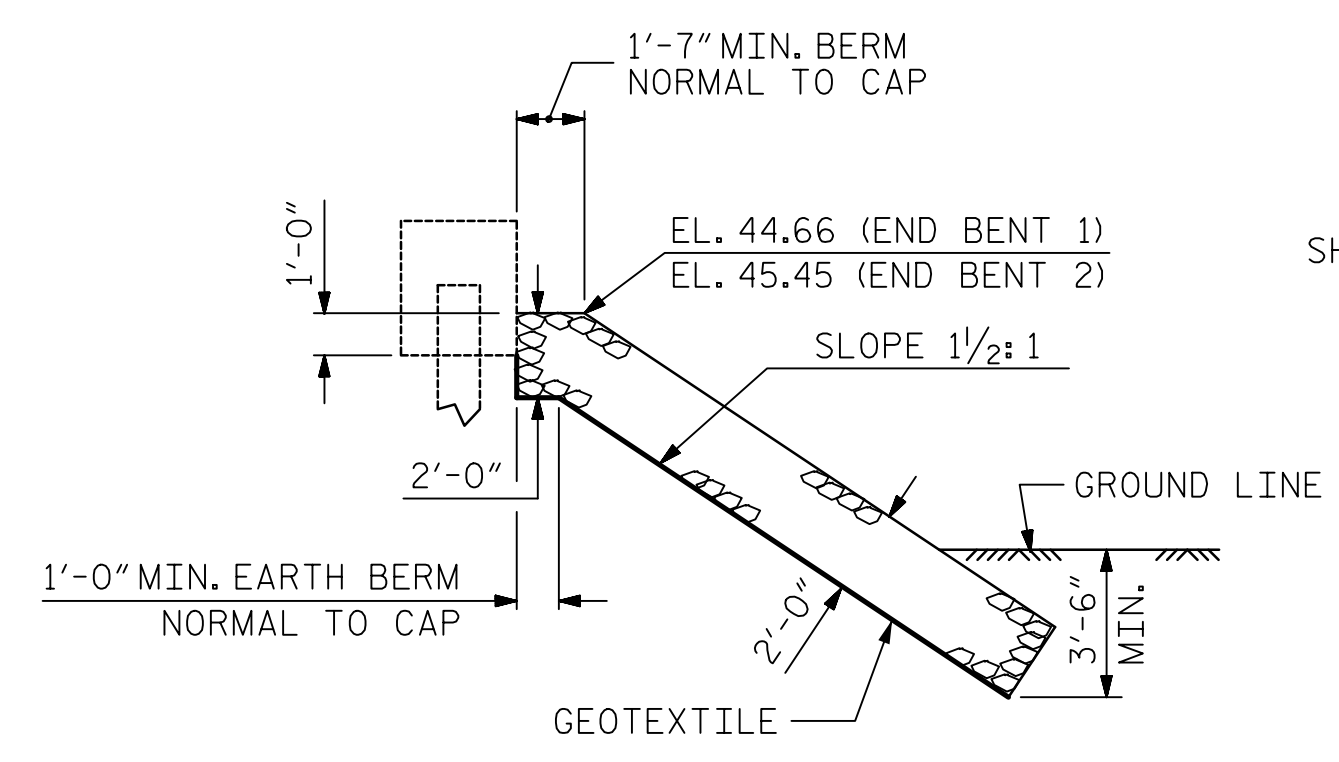


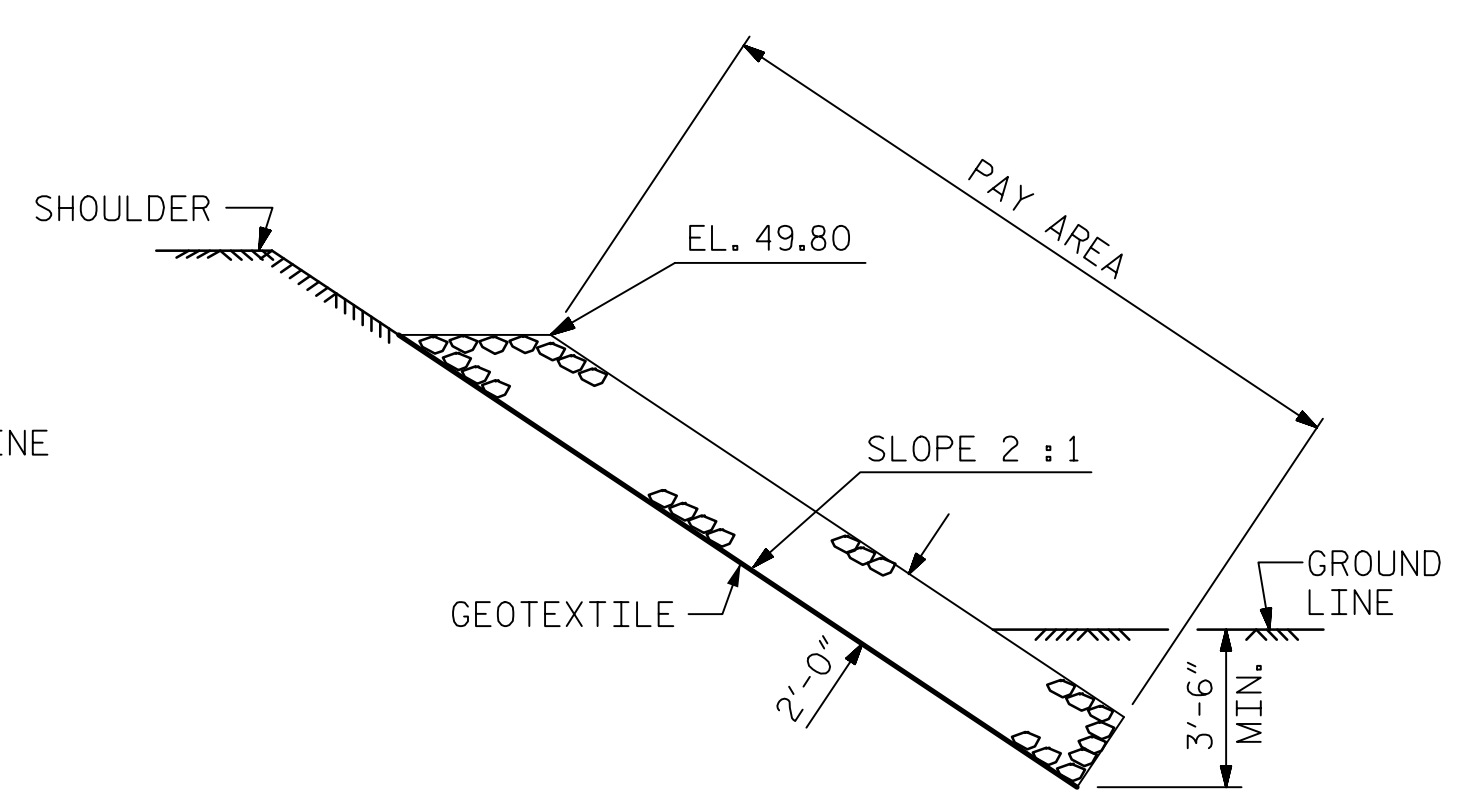
ESTIMATED QUANTITIES		
BRIDGE @ STA. 23+06.50 -L-	RIP RAP CLASS II (2'-0" THICK)	GEOTEXTILE FOR DRAINAGE
	TONS	SQUARE YARDS
END BENT 1	228	253
END BENT 2	262	291



SECTION H-H



SECTION C-C
BERM RIP RAPPED



SECTION C-C

Mead & Hunt
 111 E. Hargett Street
 Suite 300
 Raleigh, NC 27601
 919-714-8670
 meadhunt.com
 NC License No. F-1235



PROJECT NO. B-5619
LENOIR COUNTY
 STATION: 23+06.50 -L-

STATE OF NORTH CAROLINA
 DEPARTMENT OF TRANSPORTATION
 RALEIGH
 STANDARD
 RIP RAP DETAILS

REVISIONS						SHEET NO.
NO.	BY:	DATE:	NO.	BY:	DATE:	S2-22
1			3			TOTAL SHEETS
2			4			23

ASSEMBLED BY : J.S. HOBSON DATE : 12/23/20
 CHECKED BY : J.A. BOYER DATE : 01/02/21
 DRAWN BY : REK 1/84
 CHECKED BY : RDU 1/84

REV. 10/1/11 MAA/GM
 REV. 12/21/11 MAA/GM
 REV. 12/17 MAA/THC

DOCUMENT NOT CONSIDERED
 FINAL UNLESS ALL
 SIGNATURES COMPLETED