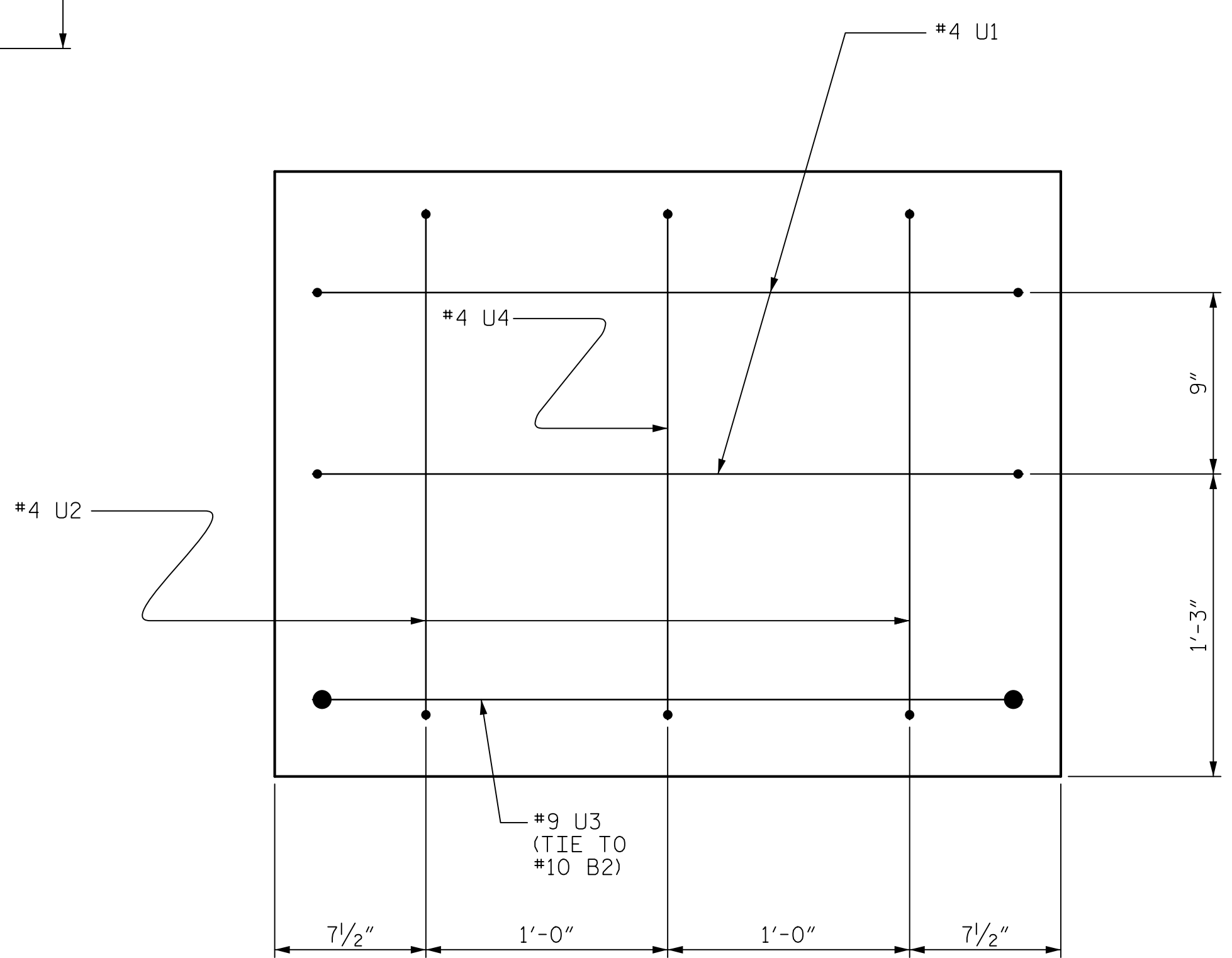
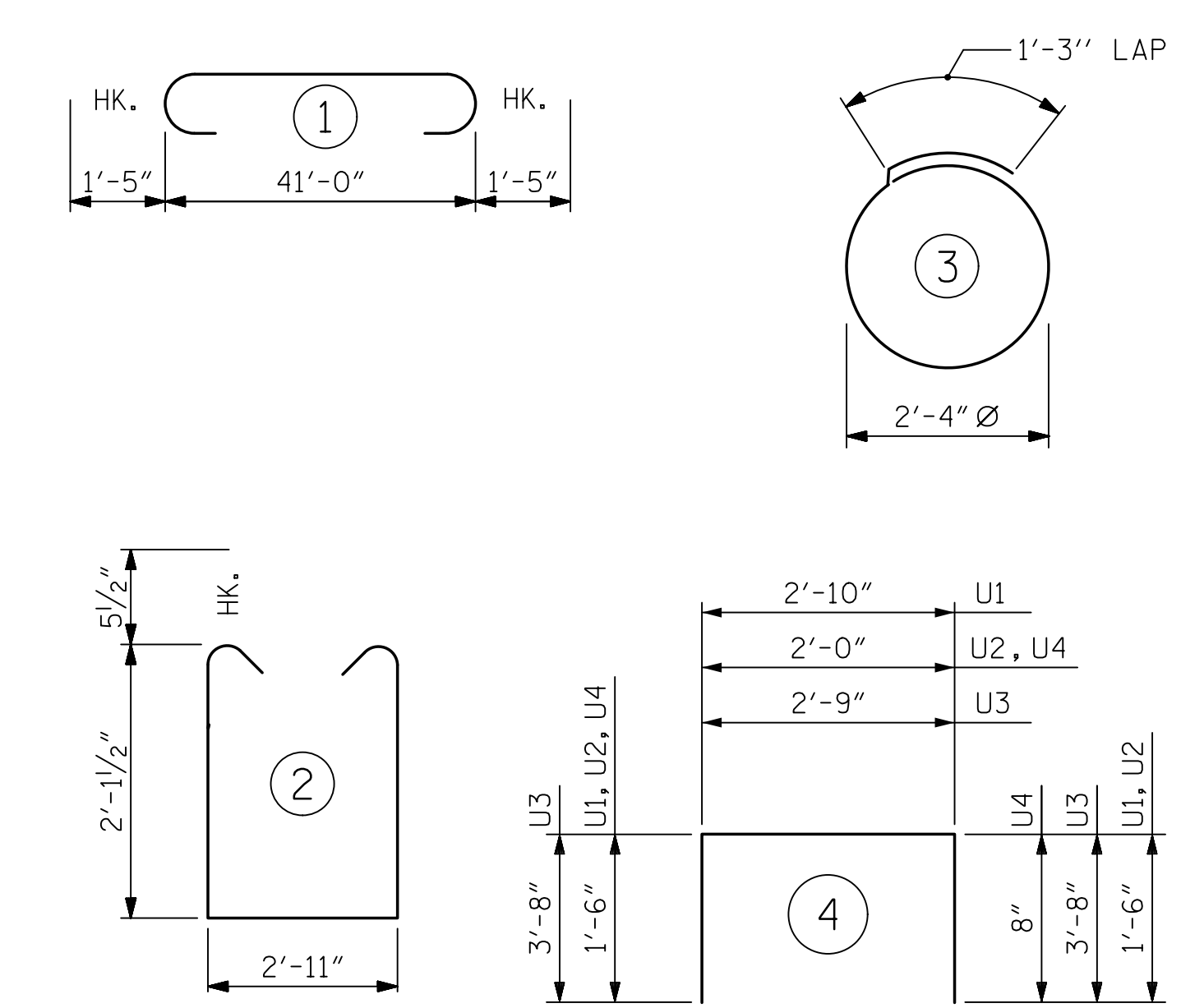


SECTION A-A



END OF CAP VIEW
(TYPICAL BOTH ENDS)

BAR TYPES



ALL BAR DIMENSIONS ARE OUT TO OUT.

BILL OF MATERIAL
FOR ONE BENT

BAR	NO.	SIZE	TYPE	LENGTH	WEIGHT
B1	4	#10	1	43'-10"	754
B2	4	#10	STR	41'-2"	709
B3	4	#5	STR	41'-2"	172
B4	8	#4	STR	21'-10"	117
B5	11	#4	STR	2'-11"	21
D1	52	#6	STR	1'-6"	117
S1	44	#5	2	8'-1"	371
S2	16	#4	3	8'-7"	92
U1	4	#4	4	5'-10"	16
U2	4	#4	4	5'-0"	13
U3	2	#9	4	10'-1"	69
U4	2	#4	4	4'-2"	6

REINFORCING STEEL (FOR ONE BENT) 2457 LBS

CLASS A CONCRETE BREAKDOWN (FOR ONE BENT)

TOTAL CLASS A CONCRETE 12.0 C.Y.

PP 18 x 0.50 GALVANIZED STEEL PILES (FOR ONE BENT)
No. 8 LIN. FT. 680

PILE DRIVING EQUIPMENT SETUP FOR PP 18 x 0.50 GALVANIZED STEEL PILES (FOR ONE BENT) NO. 8

PILE REDRIVES NO. 4

▲ CONCRETE DISPLACED BY THE PP 18 x 0.50 GALVANIZED STEEL PILES HAS BEEN DEDUCTED FROM THE CONCRETE QUANTITY.

Mead & Hunt
111 E. Hargett Street
Suite 300
Raleigh, NC 27601
919-714-8670
meadhunt.com
NC License No. F-1235



PROJECT NO. B-5619
LENOIR COUNTY
STATION: 23+06.50 -L-
SHEET 2 OF 2

STATE OF NORTH CAROLINA
DEPARTMENT OF TRANSPORTATION
RALEIGH
STANDARD
BENT No. 2

ASSEMBLED BY : D.J. CARTE	DATE :12/09/20
CHECKED BY : J.S. HOBSON	DATE :12/28/20
DRAWN BY : DGE 05/10	REV. 6/17
CHECKED BY : MKT 05/10	MAA/THC

REVISIONS
NO. BY: DATE: NO. BY: DATE:
1 3
2 4

REVISIONS				SHEET NO. S2-18	
NO.	BY:	DATE:	NO.	BY:	DATE:
1			3		
2			4		
				TOTAL SHEETS 23	