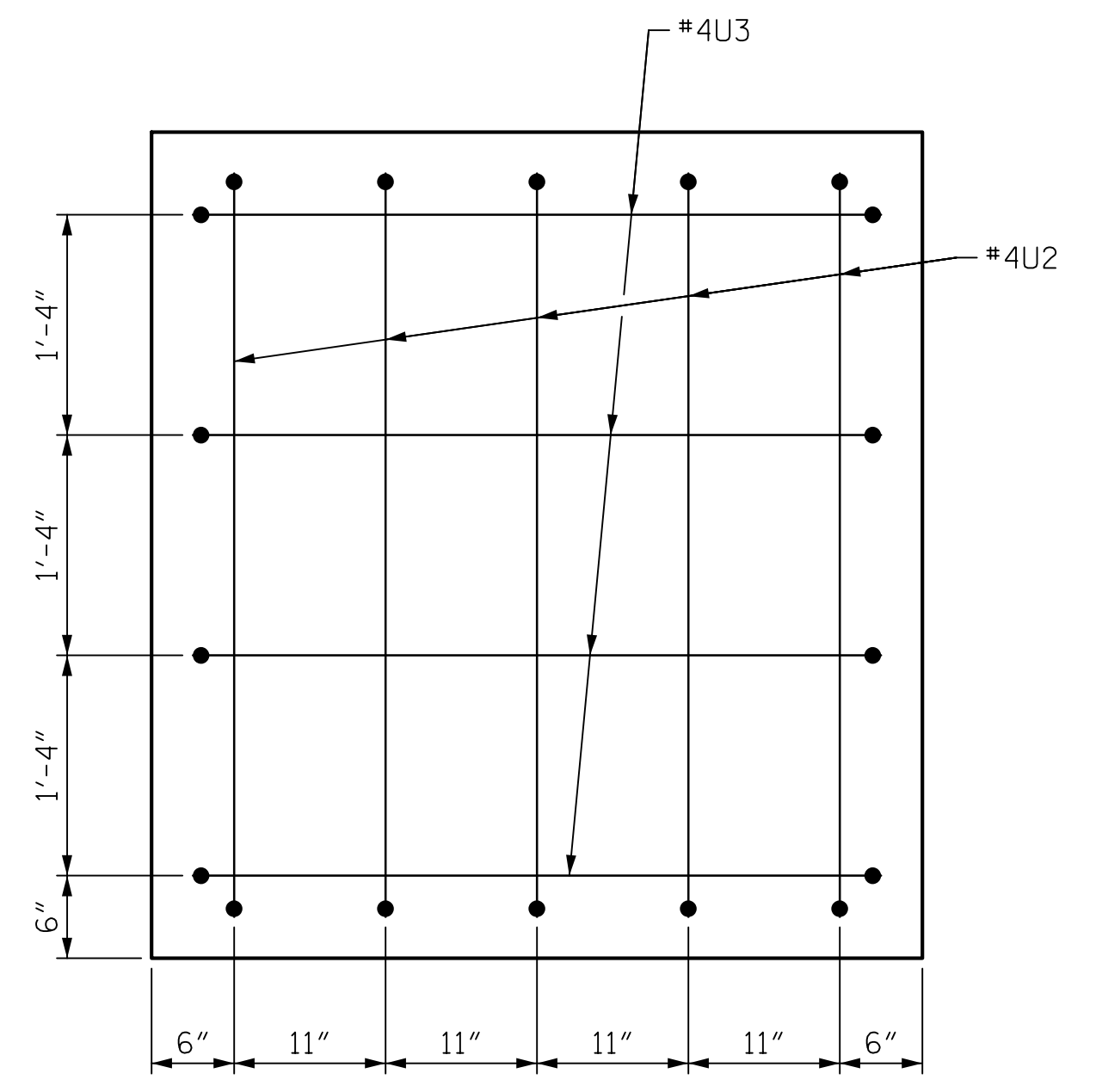
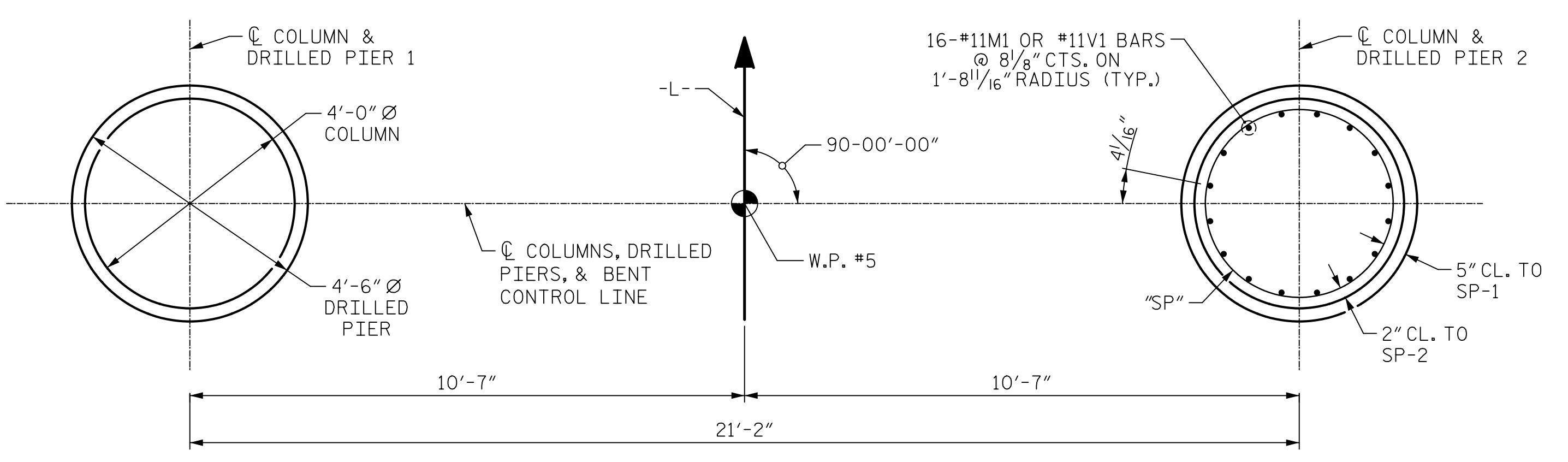


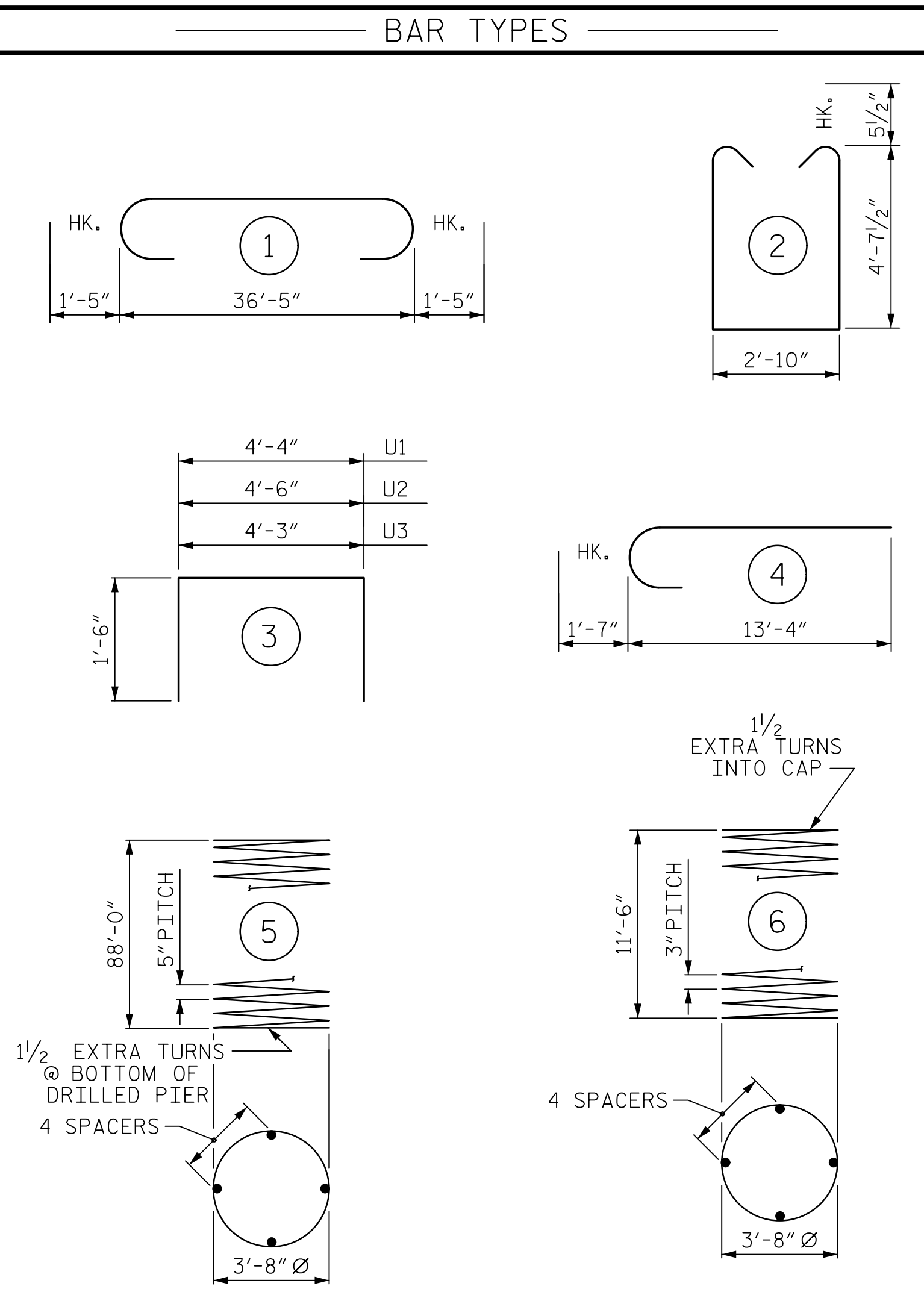
SECTION A-A
* INVERT ALTERNATE STIRRUPS



END VIEW
(TYPICAL BOTH ENDS)

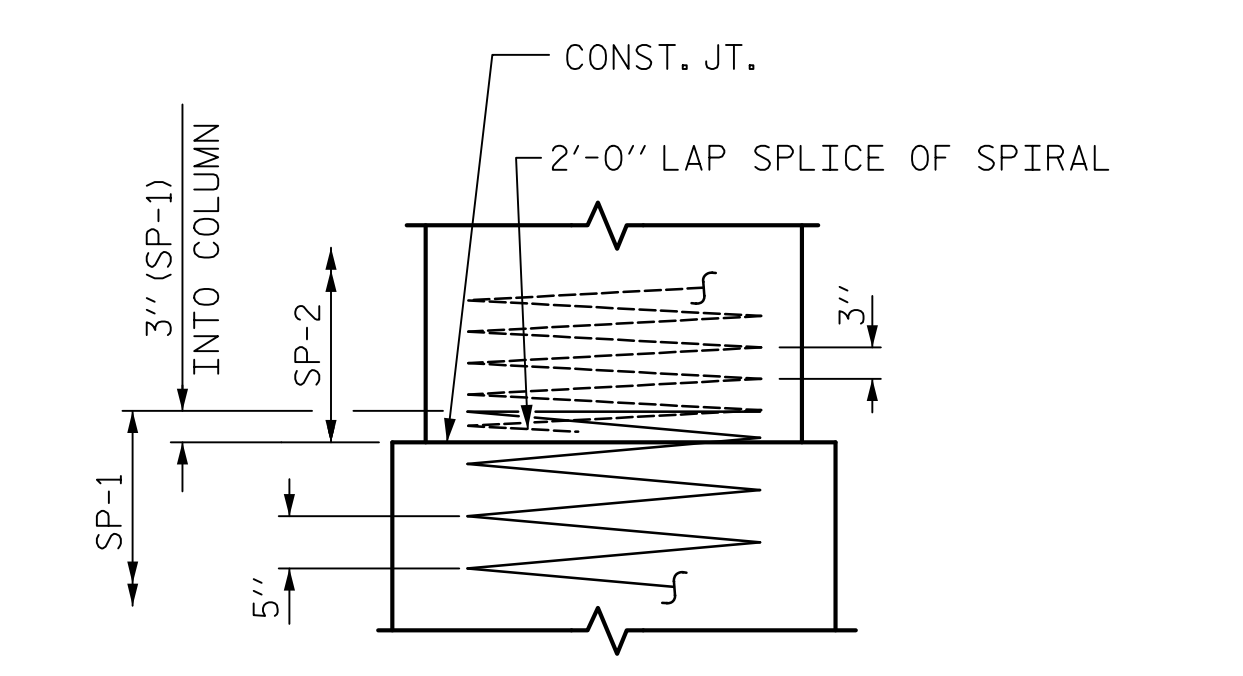


PLAN OF DRILLED PIERS & COLUMNS
(DIMENSIONS AND REINFORCING STEEL ARE TYPICAL FOR EACH COLUMN AND DRILLED PIER)



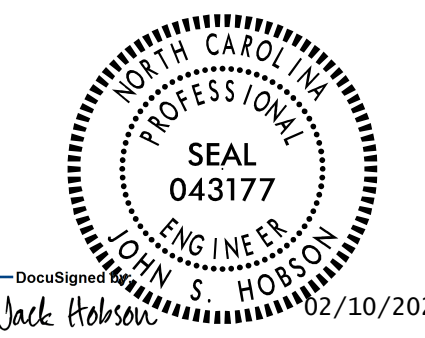
ALL BAR DIMENSIONS ARE OUT TO OUT

BILL OF MATERIAL					
BENT 4					
BAR	NO.	SIZE	TYPE	LENGTH	WEIGHT
B1	10	#10	1	39'-3"	1689
B2	10	#8	STR	36'-7"	977
B3	20	#6	STR	36'-7"	1099
M1	64	#11	STR	50'-7"	17200
S1	108	#5	2	13'-0"	1464
U1	36	#4	3	7'-4"	176
U2	10	#4	3	7'-6"	50
U3	8	#4	3	7'-3"	39
V1	32	#11	4	14'-11"	2536
REINFORCING STEEL					25230 LBS.
SP-1	2	*	5	2420'-4"	5049
SP-2	2	**	6	541'-1"	723
SPIRAL COLUMN REINFORCING STEEL					5772 LBS.
* THE SP-1 SPIRAL REINFORCING STEEL SHALL BE W31 OR D-31 COLD DRAWN WIRE OR #5 PLAIN OR DEFORMED BAR					
** THE SP-2 SPIRAL REINFORCING STEEL SHALL BE W20 OR D-20 COLD DRAWN WIRE OR #4 PLAIN OR DEFORMED BAR					
CLASS A CONCRETE BREAKDOWN					
POUR #2 (COLUMNS)					10.4 C.Y.
POUR #3 (CAP)					32.5 C.Y.
TOTAL CLASS A CONCRETE					42.9 C.Y.
DRILLED PIERS:					
DRILLED PIER CONCRETE POUR #1 (DRILLED PIERS)					104.3 C.Y.
4'-6" Ø DRILLED PIERS					177.0 LIN. FT.
PERMANENT STEEL CASING FOR 4'-6" Ø DRILLED PIER					35.0 LIN. FT.
CSL TUBES					720.0 LIN. FT.
CSL TESTING					1 EA.



CONSTRUCTION JOINT DETAIL

Mead & Hunt
111 E. Hargett Street
Suite 300
Raleigh, NC 27601
919-714-8670
meadhunt.com
NC License No. F-1235



PROJECT NO. B-5619
LENOIR COUNTY
STATION: 30+80.00 -L-
SHEET 2 OF 2

STATE OF NORTH CAROLINA
DEPARTMENT OF TRANSPORTATION
RALEIGH
SUBSTRUCTURE
BENT 4

DRAWN BY : J.S. HOBSON DATE : 10/22/20
CHECKED BY : J.A. BOYER DATE : 12/10/20
DESIGN ENGINEER OF RECORD : J.S. HOBSON DATE : 02/09/21

DOCUMENT NOT CONSIDERED FINAL UNLESS ALL SIGNATURES COMPLETED

REVISIONS					
NO.	BY:	DATE:	NO.	BY:	DATE:
1			3		
2			4		

SHEET NO. S1-34
TOTAL SHEETS 40