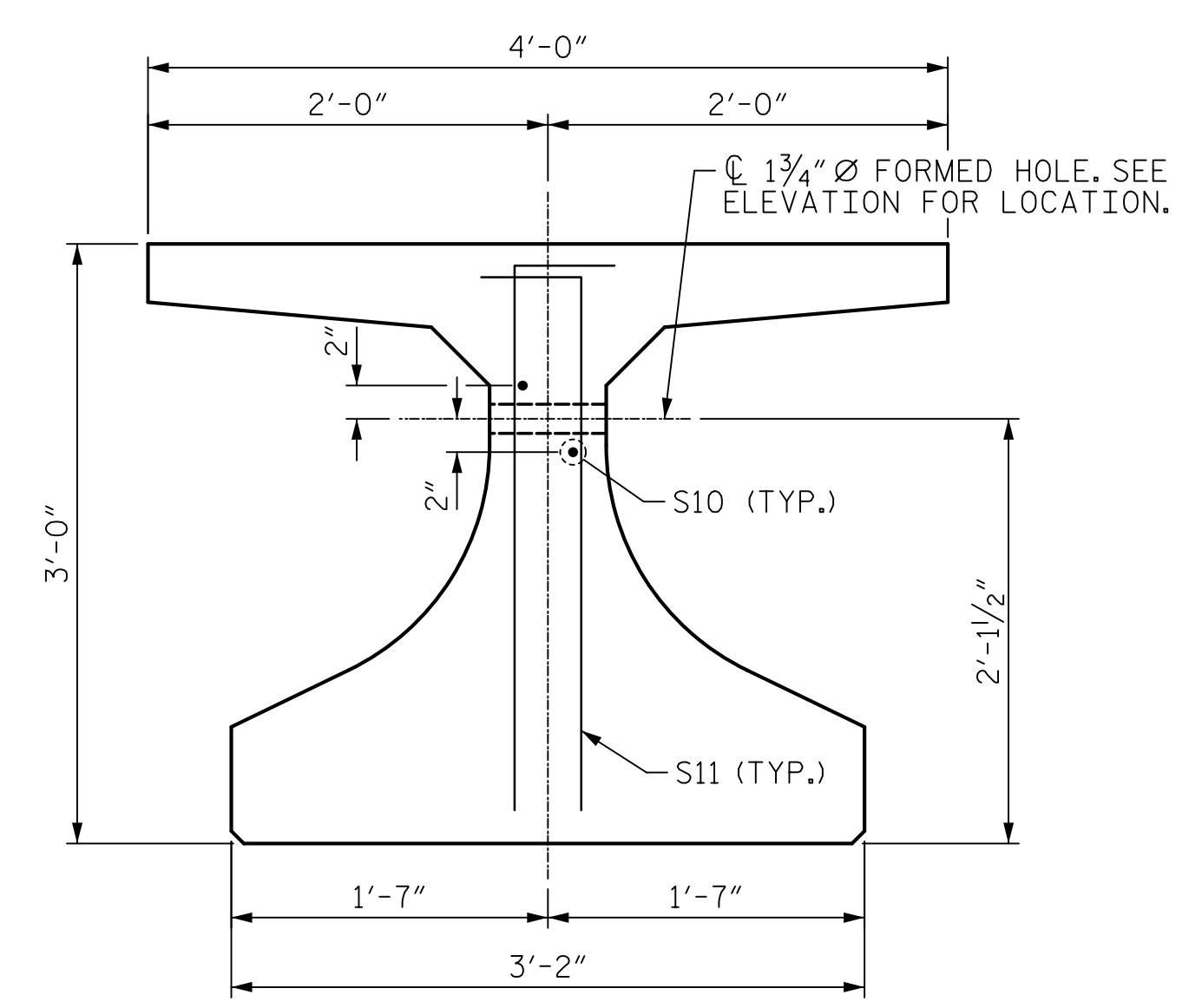
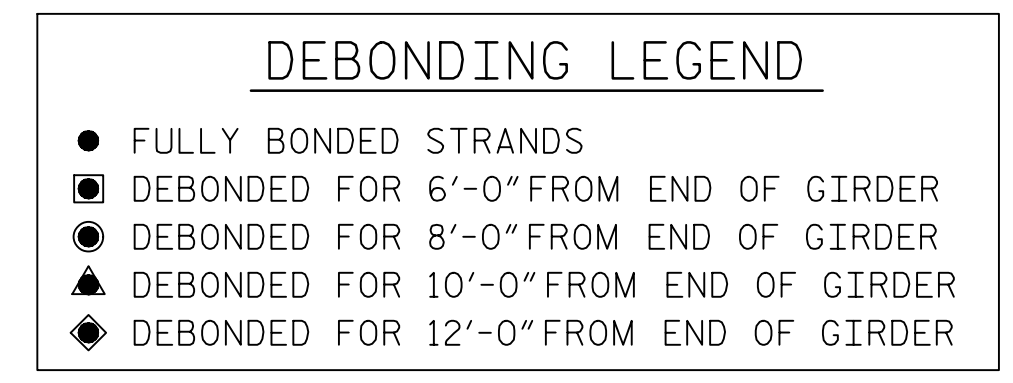
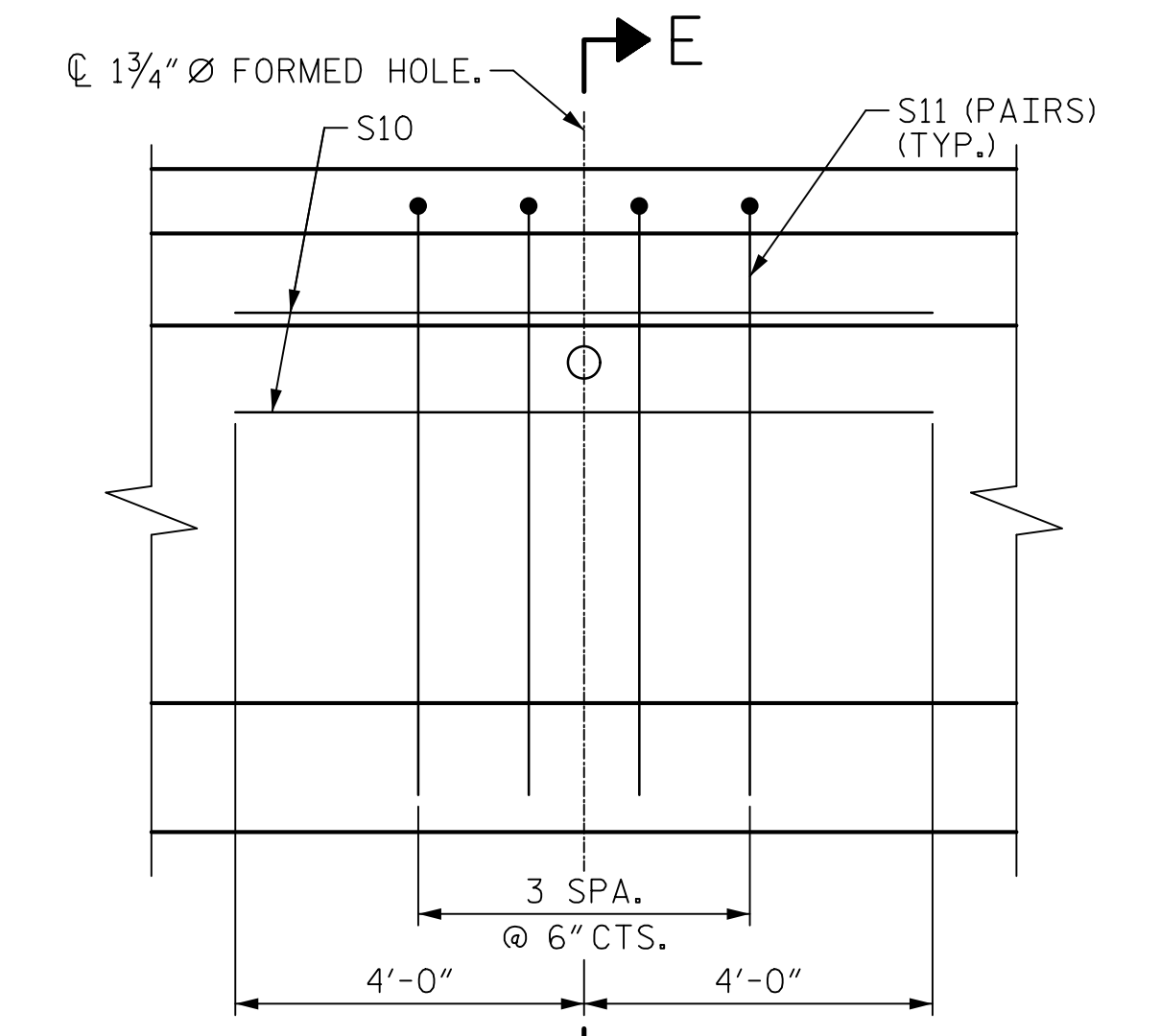


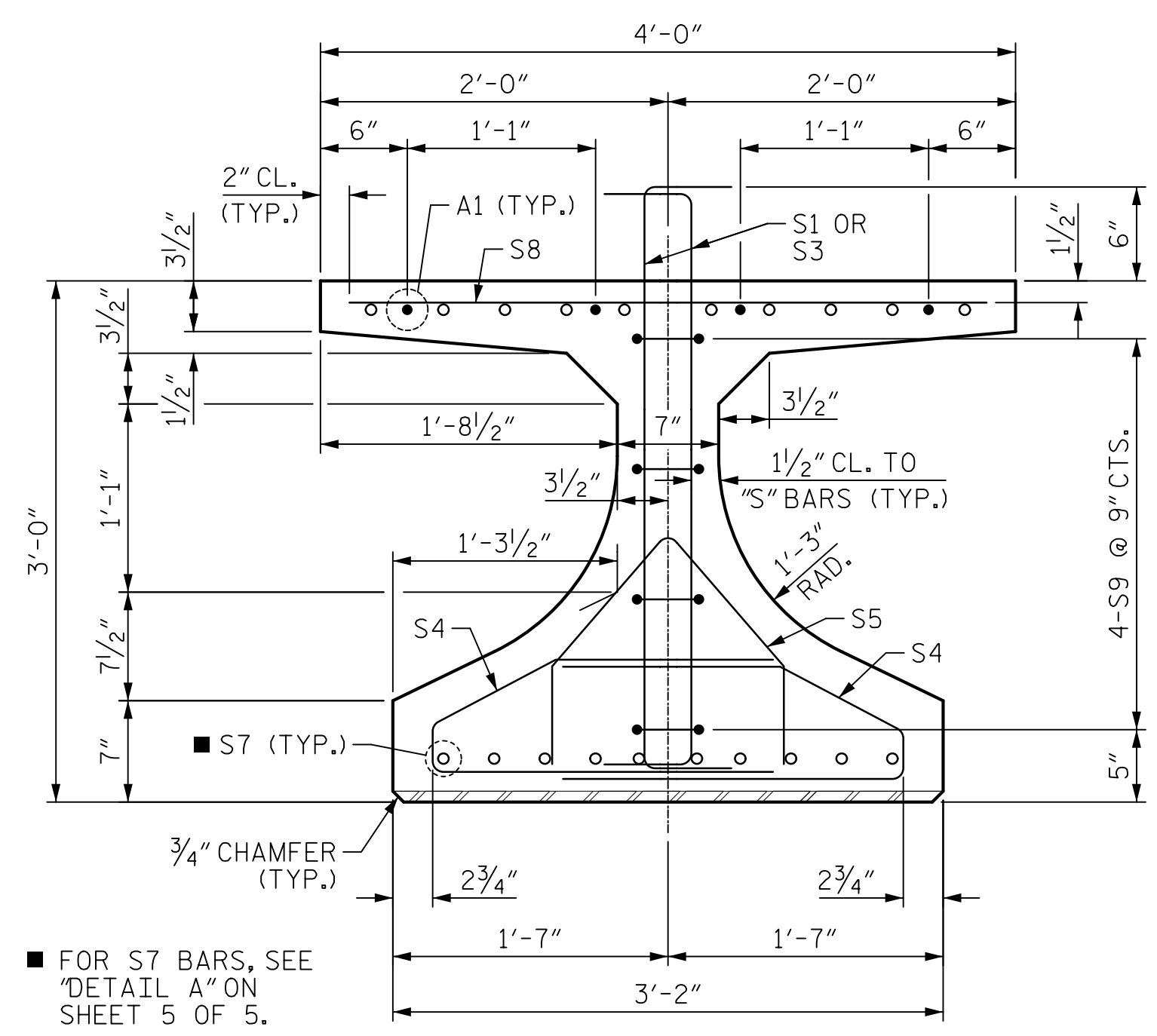
AT END OF GIRDER
AT C OF GIRDER
0.6" Ø LOW RELAXATION STRAND LAYOUT
(52 STRANDS REQUIRED)



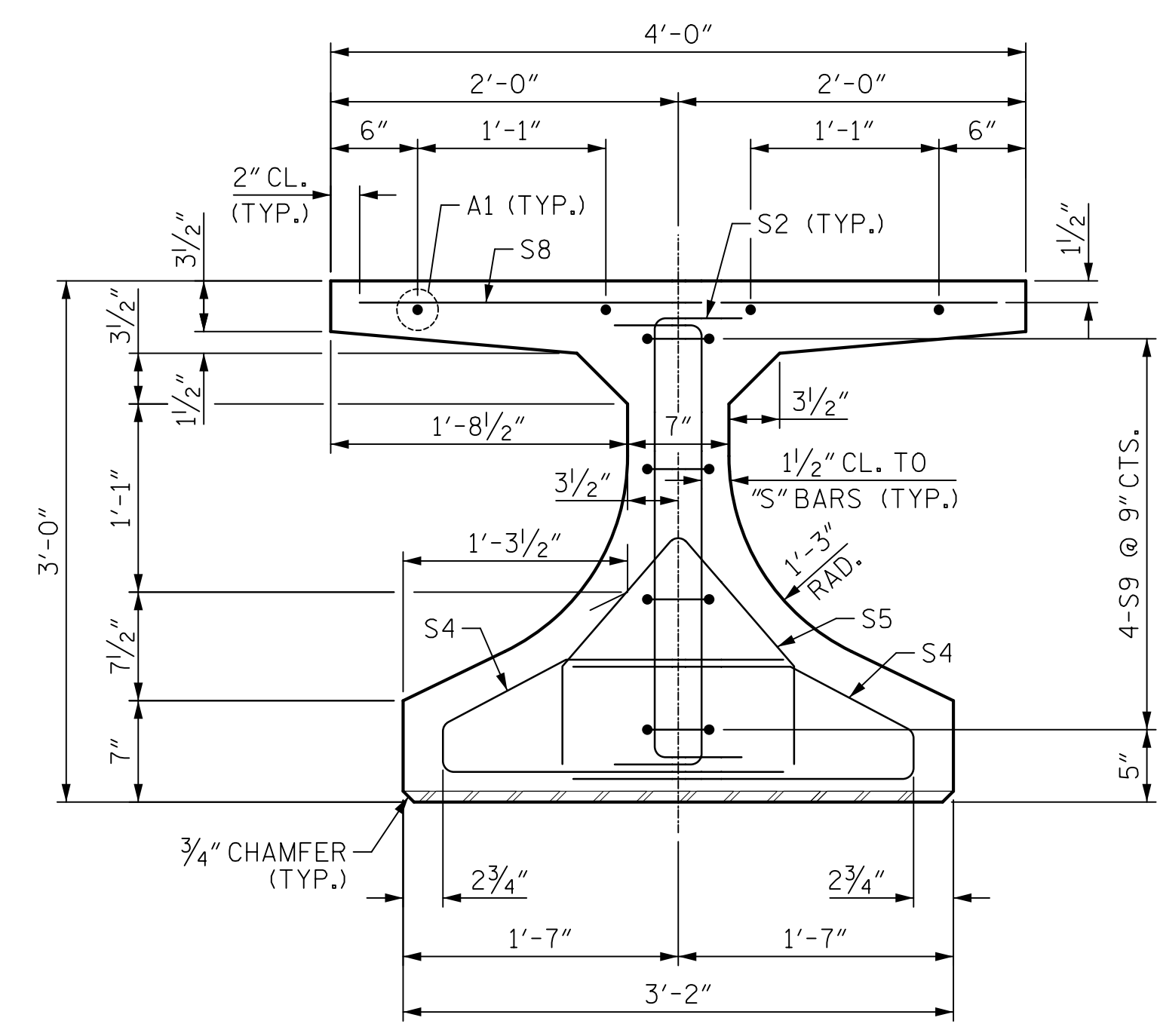
SECTION E-E



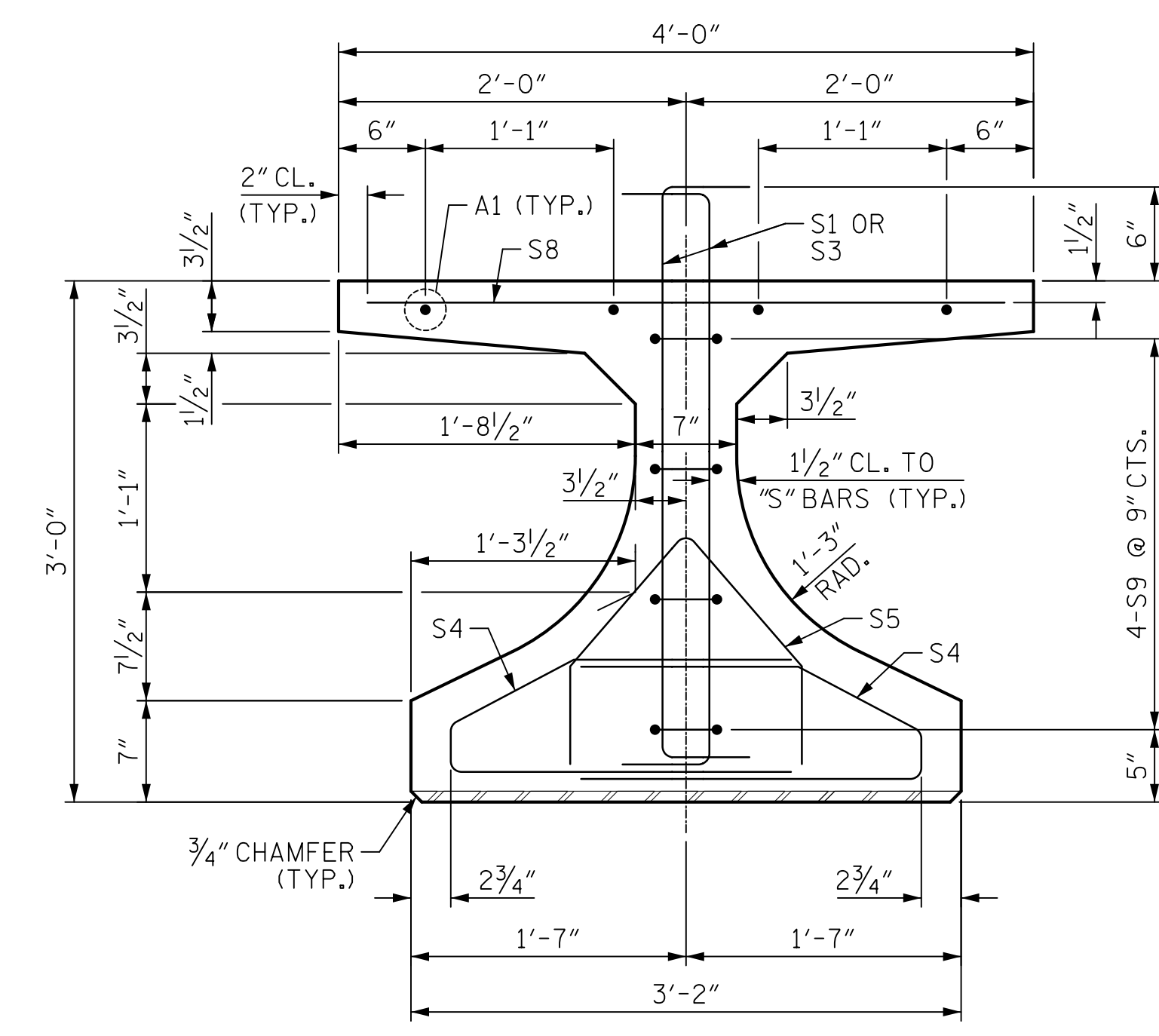
PARTIAL ELEVATION
SHOWING INTERMEDIATE CONCRETE DIAPHRAGM REINFORCING STEEL FOR ALL SPANS.



SECTION A-A
(S6 BARS NOT SHOWN FOR CLARITY)

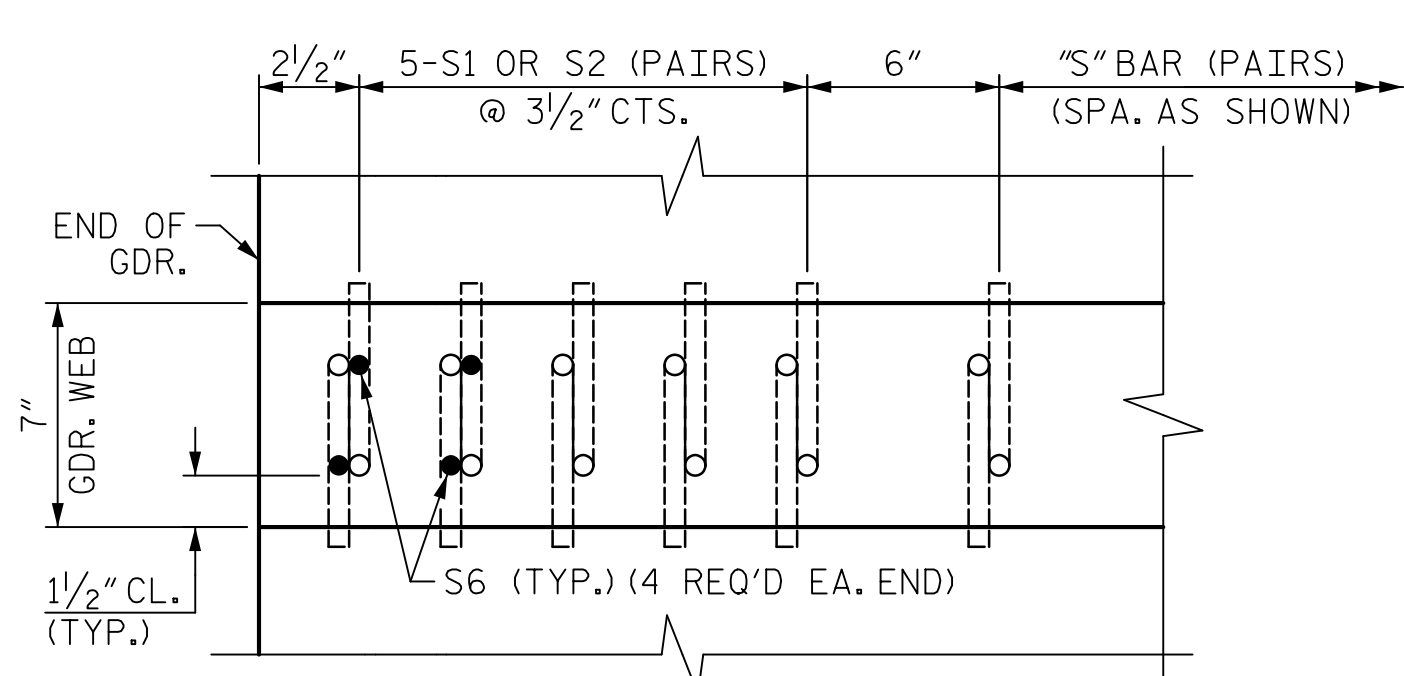


SECTION B-B
(S6 BARS NOT SHOWN FOR CLARITY)



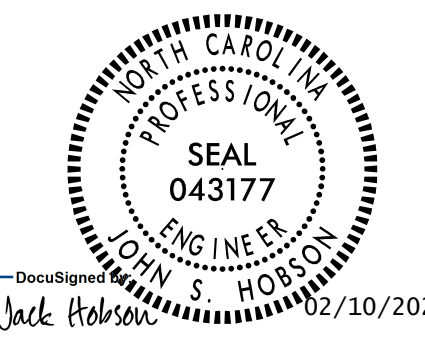
SECTION C-C
(S6 BARS NOT SHOWN FOR CLARITY)

■ FOR S7 BARS, SEE "DETAIL A" ON SHEET 5 OF 5.



SECTION D-D
(TYP. ALL GIRDER ENDS)

Mead & Hunt
111 E. Hargett Street
Suite 300
Raleigh, NC 27601
919-714-8670
meadhunt.com
NC License No. F-1235



DOCUMENT NOT CONSIDERED FINAL UNLESS ALL SIGNATURES COMPLETED

PROJECT NO. B-5619
LENOIR COUNTY
STATION: 30+80.00 -L-
SHEET 4 OF 5

STATE OF NORTH CAROLINA
DEPARTMENT OF TRANSPORTATION
RALEIGH
SUPERSTRUCTURE
F.I.B. 36"
PRESTRESSED
CONCRETE GIRDER
(SPANS A THROUGH E)

REVISIONS						SHEET NO.
NO.	BY:	DATE:	NO.	BY:	DATE:	S1-17
1			3			TOTAL SHEETS
2			4			40

DRAWN BY : J.S. HOBSON DATE : 11/24/20
CHECKED BY : J.A. BOYER DATE : 12/16/20
DESIGN ENGINEER OF RECORD : J.S. HOBSON DATE : 02/09/21