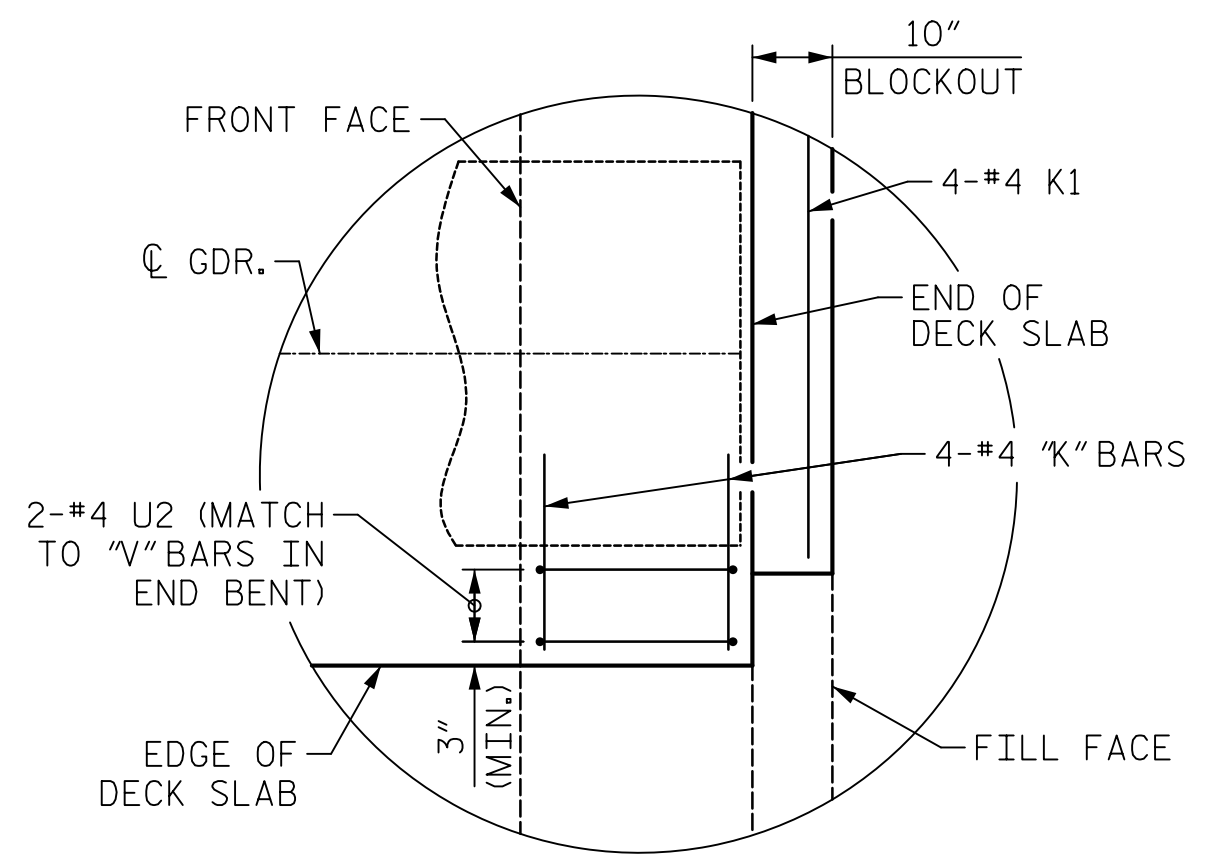


SPAN E



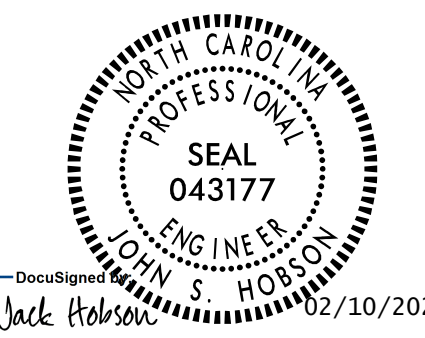
DETAIL "A"
(SHOWING REINFORCEMENT IN INTEGRAL END BENT)
(TYPICAL EACH END)

NOTES

FOR POUR SEQUENCE AND LOCATION OF TRANSVERSE CONSTRUCTION JOINTS, SEE "BILL OF MATERIALS" SHEET.



111 E. Hargett Street
Suite 300
Raleigh, NC 27601
919-714-8670
meadhunt.com
NC License No. F-1235



DOCUMENT NOT CONSIDERED
FINAL UNLESS ALL
SIGNATURES COMPLETED

PROJECT NO. B-5619
LENOIR COUNTY
STATION: 30+80.00 -L-
SHEET 5 OF 5

STATE OF NORTH CAROLINA
DEPARTMENT OF TRANSPORTATION
RALEIGH
SUPERSTRUCTURE
PLAN OF SPANS

DRAWN BY : J.S. HOBSON DATE : 11/05/20
CHECKED BY : J.A. LEE DATE : 12/07/20
DESIGN ENGINEER OF RECORD : J.S. HOBSON DATE : 02/09/21

REVISIONS						SHEET NO.
NO.	BY:	DATE:	NO.	BY:	DATE:	S1-12
1			3			TOTAL SHEETS
2			4			40