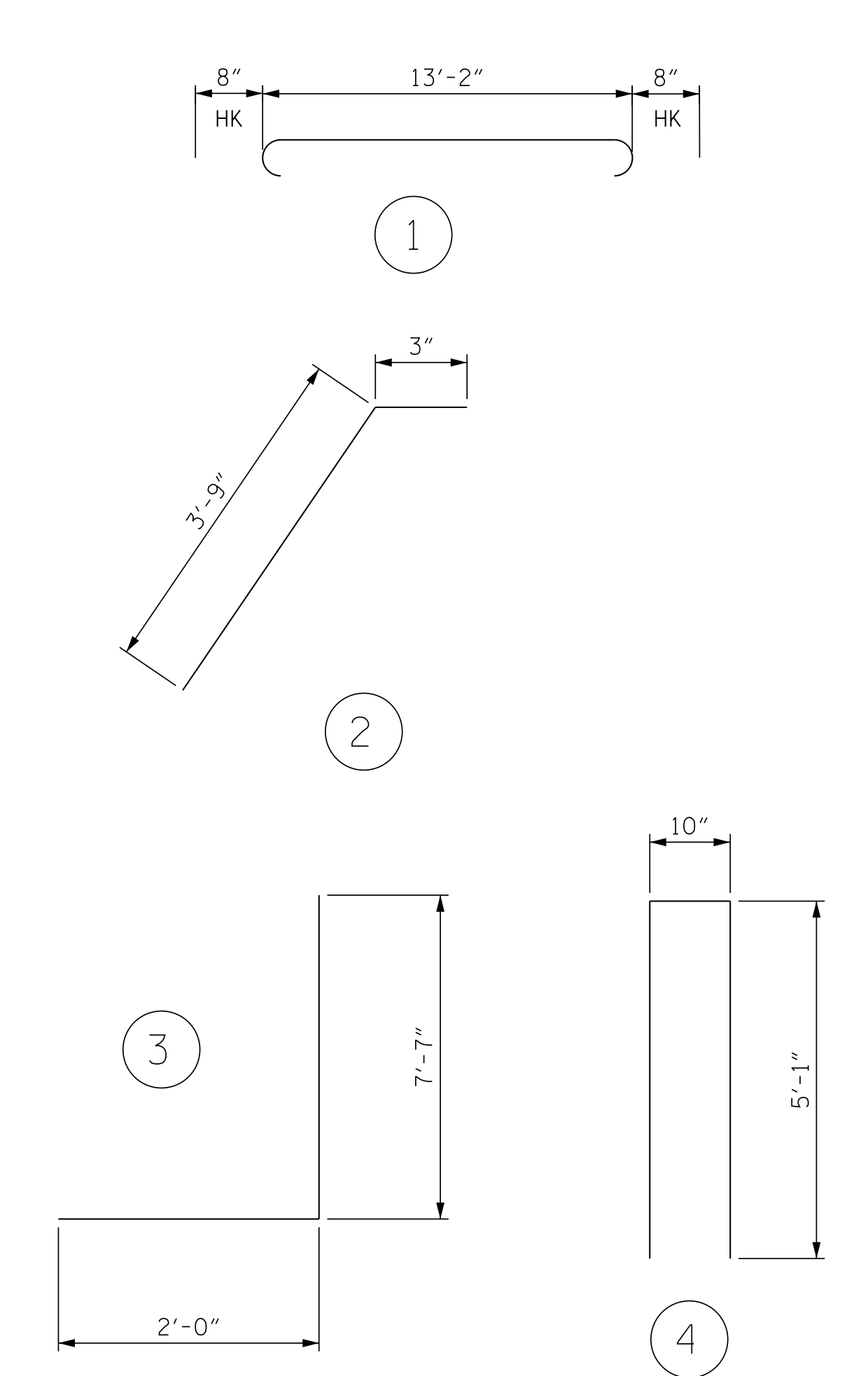


BAR TYPES



ALL BAR DIMENSIONS ARE OUT TO OUT.

BILL OF MATERIAL

BAR	NO.	SIZE	TYPE	LENGTH	WEIGHT
A1	391	#6	1	14'-6"	8516
A2	196	#4	STR	13'-2"	1724
B1	168	#4	STR	35'-0"	3928
*B2	32	#5	STR	50'-11"	1699
*E1	4	#7	STR	4'-4"	35
*E2	4	#7	STR	3'-10"	31
*E3	4	#7	STR	3'-4"	27
*E4	4	#7	STR	2'-10"	23
*E5	4	#7	STR	2'-4"	19
*F1	4	#6	STR	2'-2"	13
*F2	4	#6	2	4'-0"	24
H1	72	#4	STR	34'-6"	1659
N1	782	#6	3	9'-7"	11256
*S1	196	#5	4	11'-0"	2249
REINFORCING STEEL				27,083 LBS	
*EPOXY COATED REINFORCING STEEL				4120 LBS	
CLASS A CONCRETE					
POUR #1				297.8 CY	
POUR #2				39.5 CY	
POUR #3				21.5 CY	
TOTAL				358.8 CY	

SPLICE LENGTHS

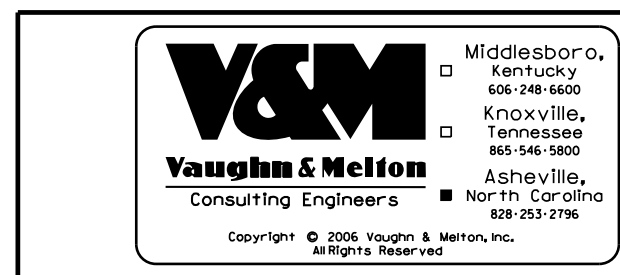
BAR SIZE	EPOXY COATED	UNCOATED
#4	2'-0"	1'-9"
#5	2'-6"	2'-3"
#6	3'-10"	2'-7"
#7	5'-3"	3'-6"
#8	6'-10"	4'-7"

PROJECT NO. U-5887
 HENDERSON COUNTY
 STATION: 11+25.00 -L-

STATE OF NORTH CAROLINA
 DEPARTMENT OF TRANSPORTATION
 RALEIGH

RETAINING WALL
 DETAILS

DocuSign by
 Ryan A. Shipman
 046056
 1358724064468
 AN TYLER SHIPMAN
 8/19/2020



DOCUMENT NOT CONSIDERED FINAL UNLESS ALL SIGNATURES COMPLETED

DRAWN BY: AW DATE: 07/2020
 CHECKED BY: RTS DATE: 07/2020
 ENG. OF RECORD: RTS DATE: 07/2020

REVISIONS						SHEET NO. W-15
NO.	BY:	DATE:	NO.	BY:	DATE:	
1			3			TOTAL SHEETS 36
2			4			