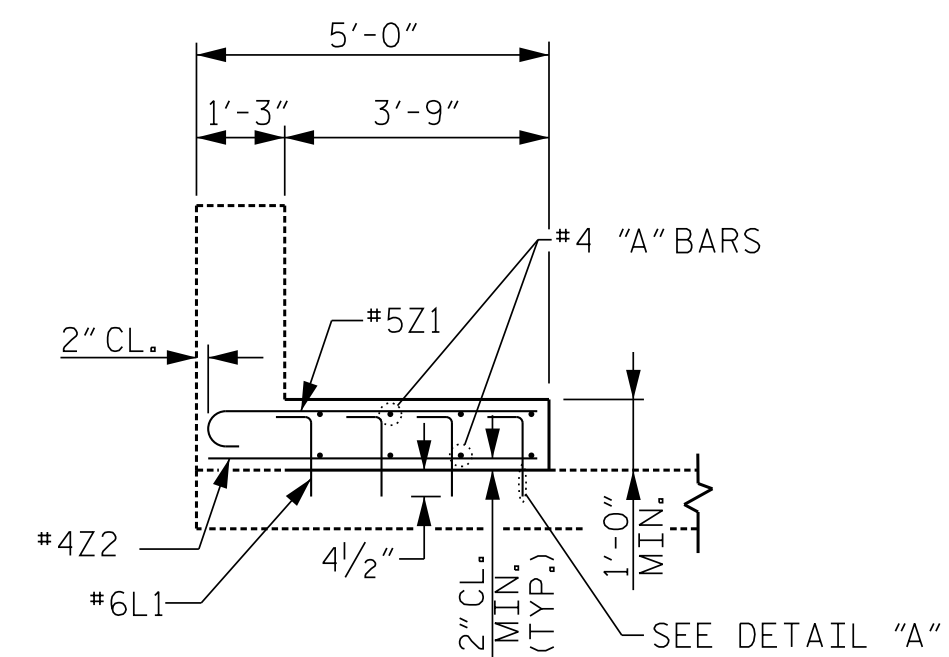
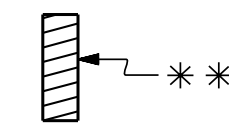


INLET HEADWALL FOOTING ELEVATION

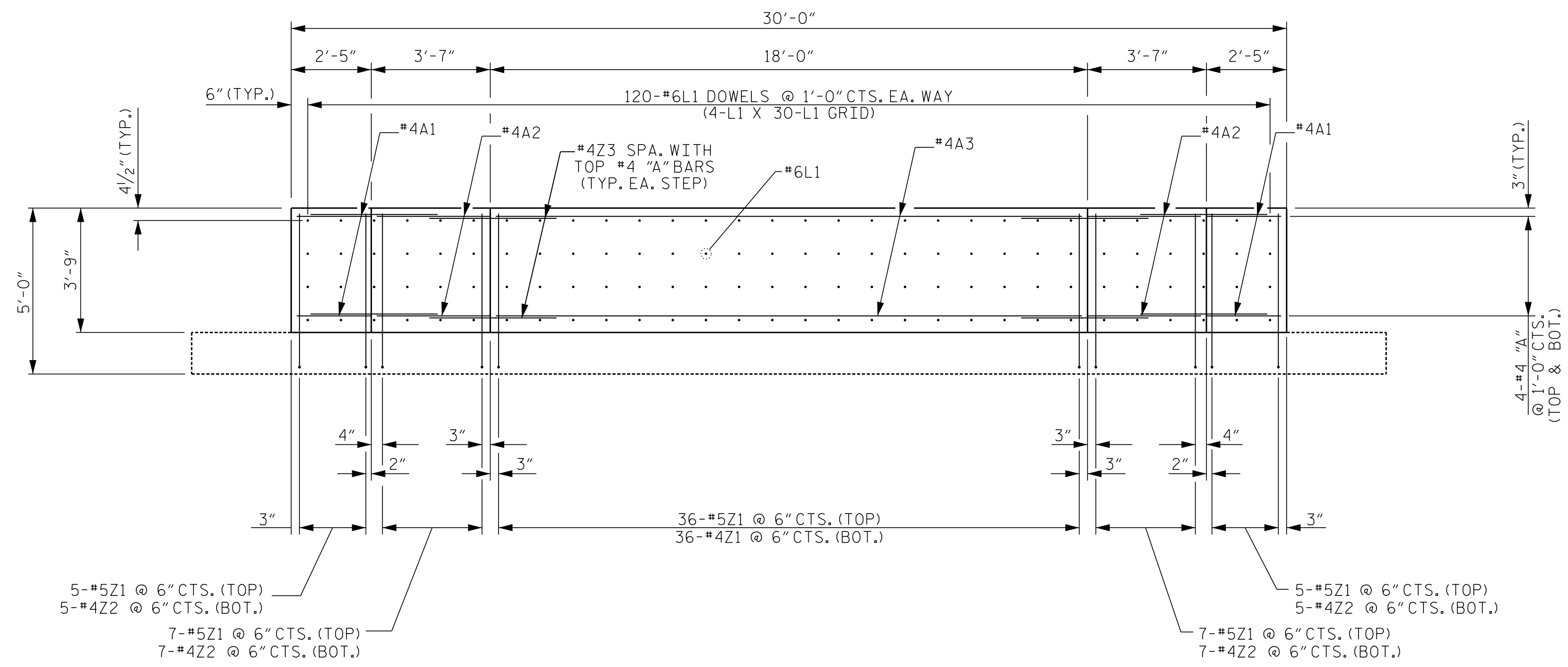


SECTION C-C

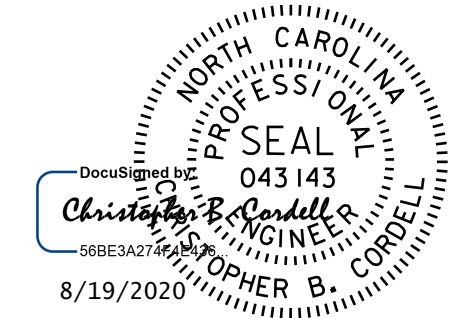


\*\* STRUCTURAL CONNECTION INSERTS  
 2 STRUT OR EQUAL;  
 LENGTH = 4 1/2"; INSERT WIDTH = 2";  
 DIA. = 3/4". 120 INSERTS REQ'D.

DETAIL "A"



INLET HEADWALL FOOTING PLAN



PROJECT NO. U-5887  
 HENDERSON COUNTY

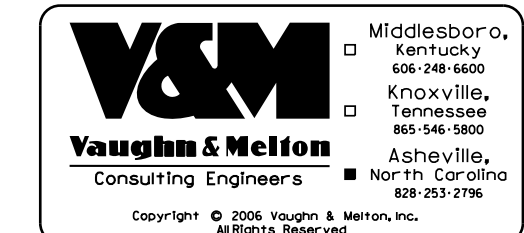
STATION: 22+44.41 -L-

SHEET 12 OF 21

STATE OF NORTH CAROLINA  
 DEPARTMENT OF TRANSPORTATION  
 RALEIGH

INLET HEADWALL  
 FOOTING DETAILS

DOCUMENT NOT CONSIDERED  
 FINAL UNLESS ALL  
 SIGNATURES COMPLETED



DRAWN BY: HL DATE: 03/2020  
 CHECKED BY: CBC DATE: 03/2020  
 ENG. OF RECORD: CBC DATE: 03/2020

REVISIONS					
NO.	BY:	DATE:	NO.	BY:	DATE:
1			3		
2			4		

SHEET NO.  
 C-12  
 TOTAL SHEETS  
 36

NOTE: WINGS NOT SHOWN FOR CLARITY.