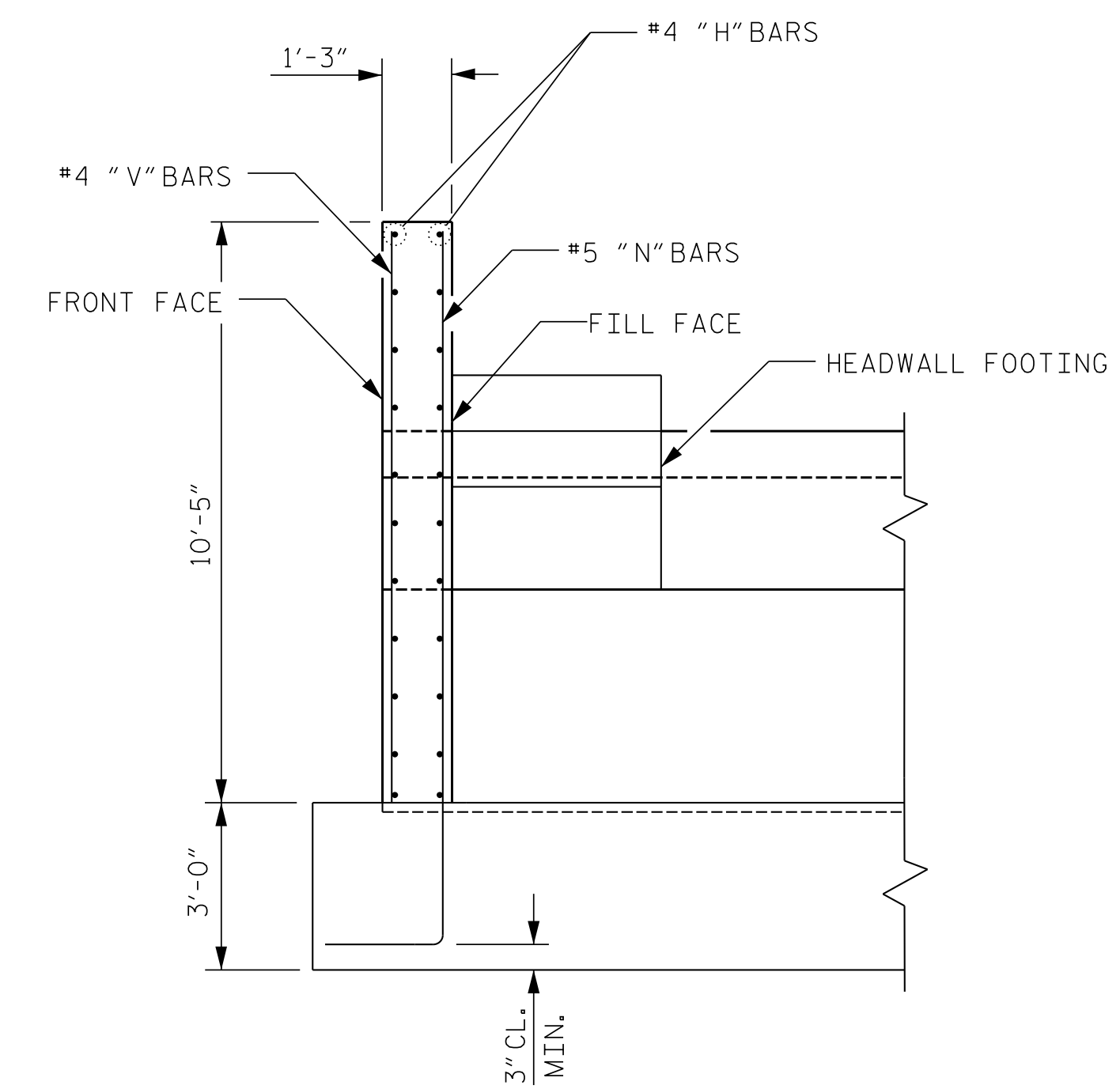
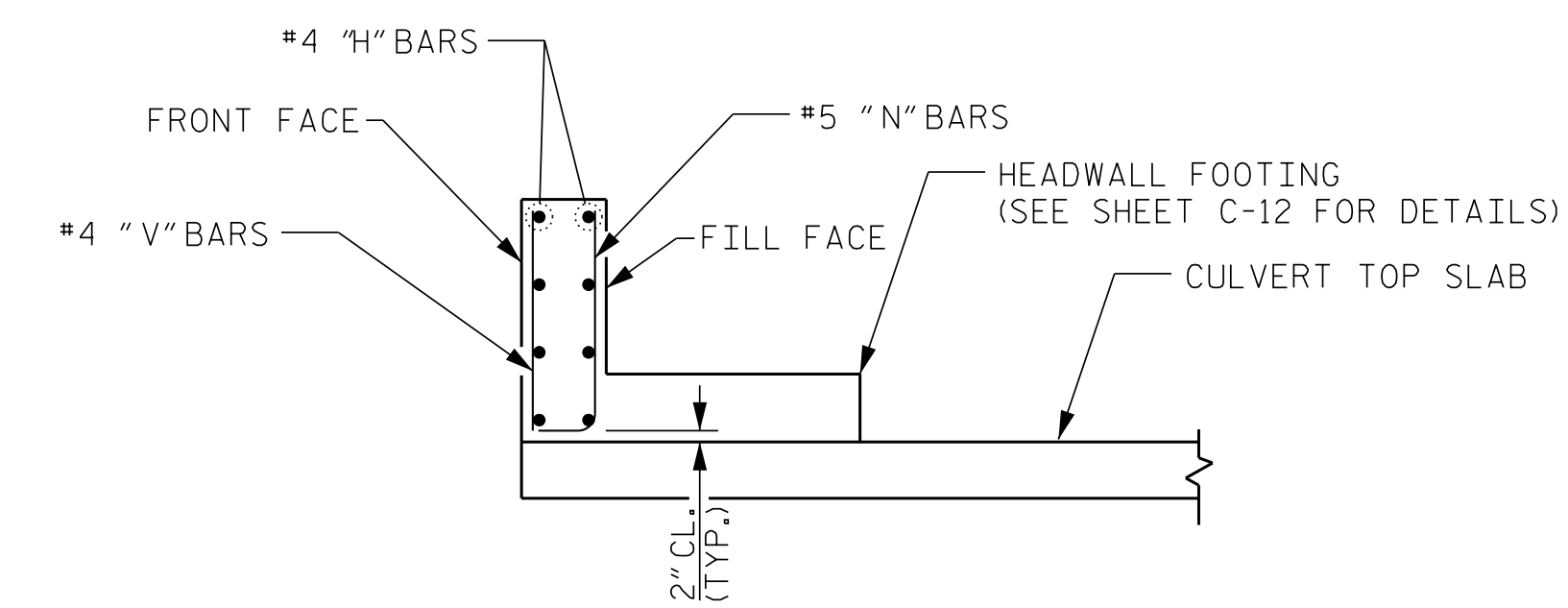


INLET HEADWALL ELEVATION

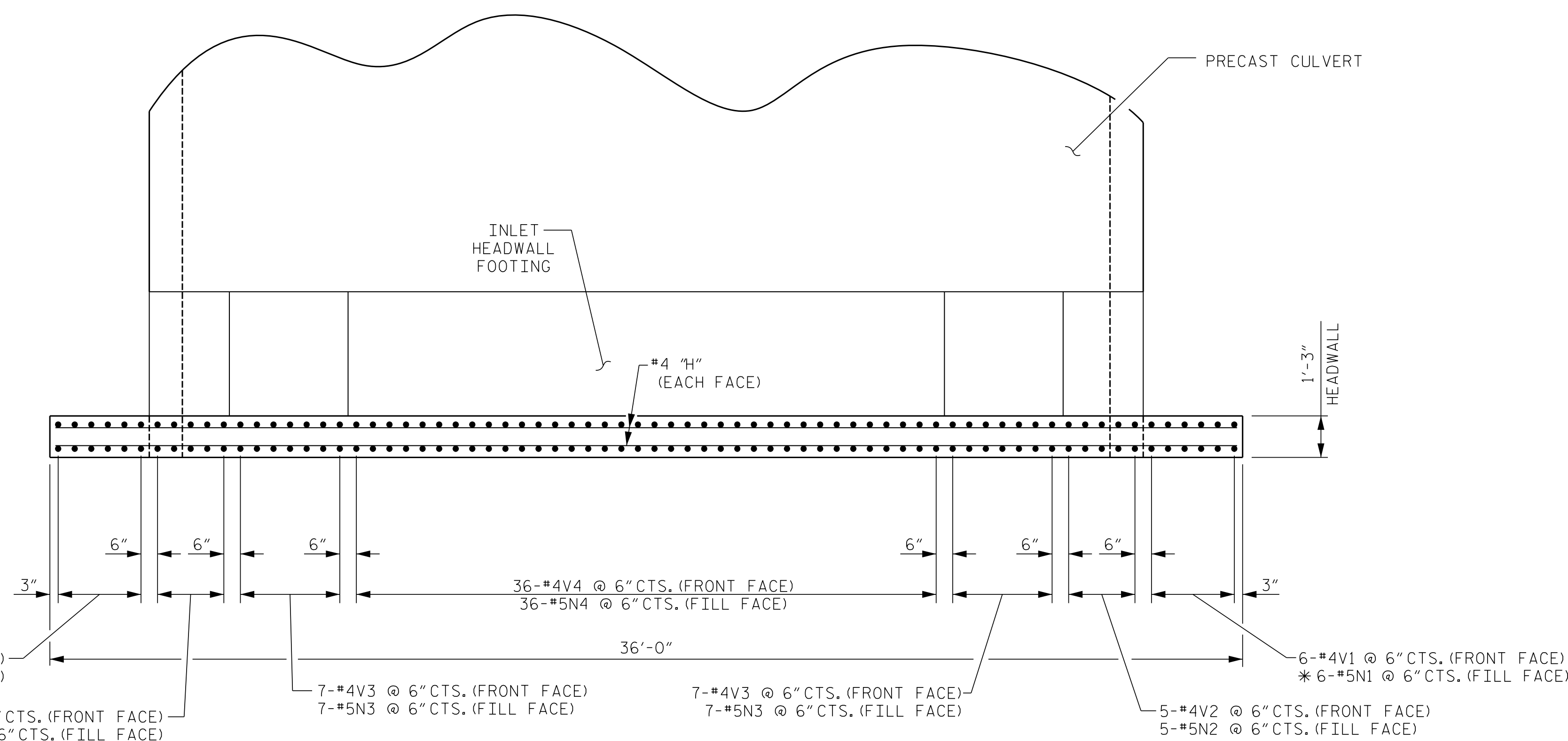
*N1 BARS INCLUDED IN FOOTING BILL OF MATERIALS



SECTION A-A



SECTION B-B

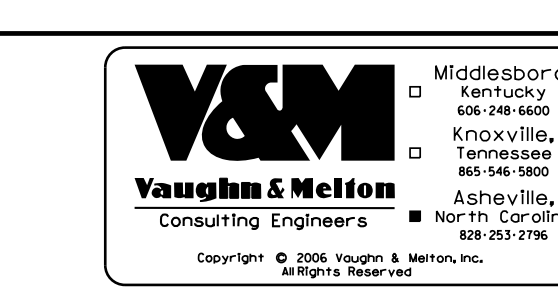


INLET HEADWALL PLAN

CULVERT FOOTINGS NOT SHOWN

NOTE: WINGS NOT SHOWN FOR CLARITY.

DOCUMENT NOT CONSIDERED FINAL UNLESS ALL SIGNATURES COMPLETED



PROJECT NO. U-5887
HENDERSON COUNTY
 STATION: 22+44.41 -L-
 SHEET 11 OF 21

STATE OF NORTH CAROLINA
 DEPARTMENT OF TRANSPORTATION
 RALEIGH

INLET HEADWALL REINFORCING DETAILS

DRAWN BY: HL		DATE: 03/2020		SHEET NO. C-11	
CHECKED BY: CBC		DATE: 03/2020		TOTAL SHEETS 36	
ENG. OF RECORD: CBC		DATE: 03/2020			
REVISIONS					
NO.	BY:	DATE:	NO.	BY:	DATE:
1			3		
2			4		