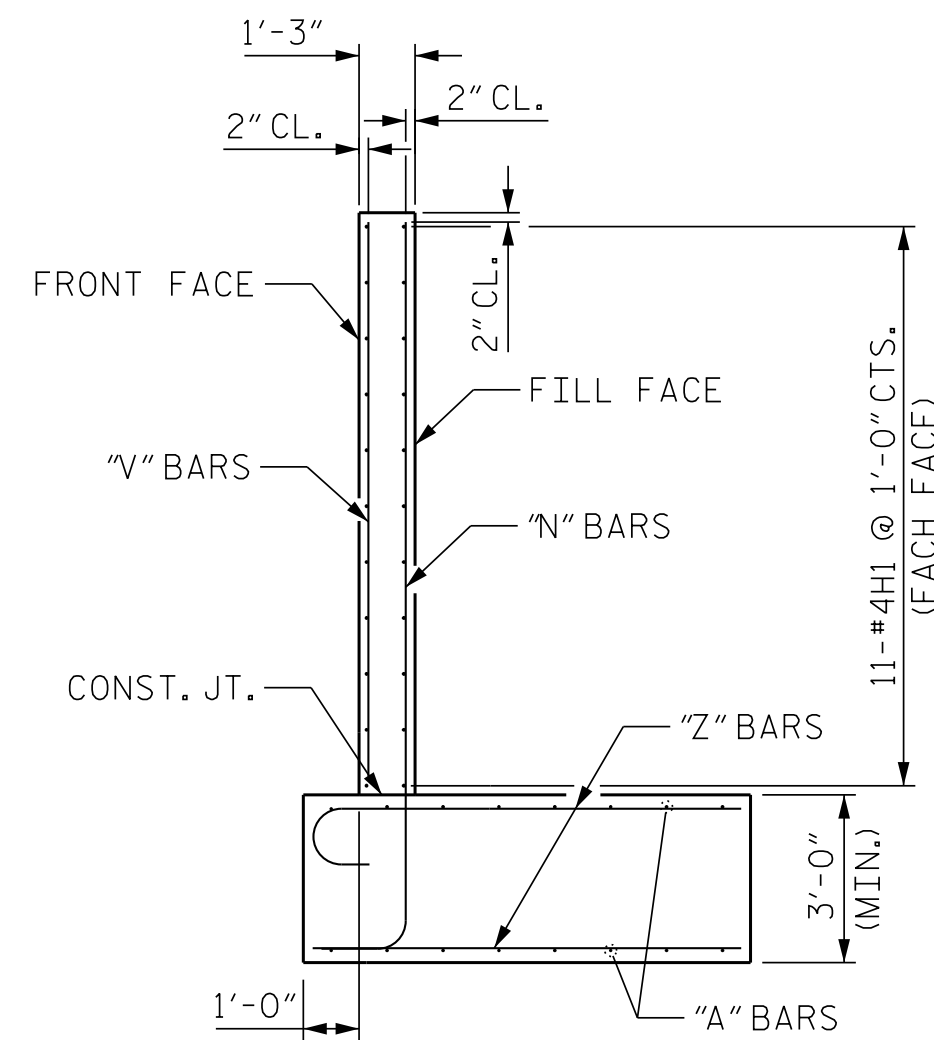
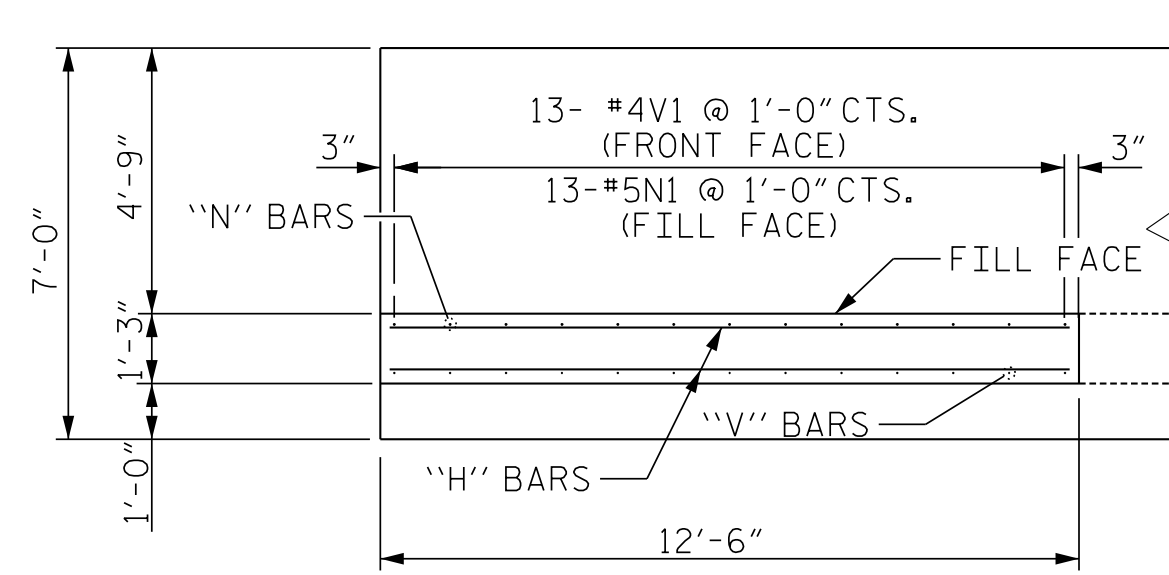


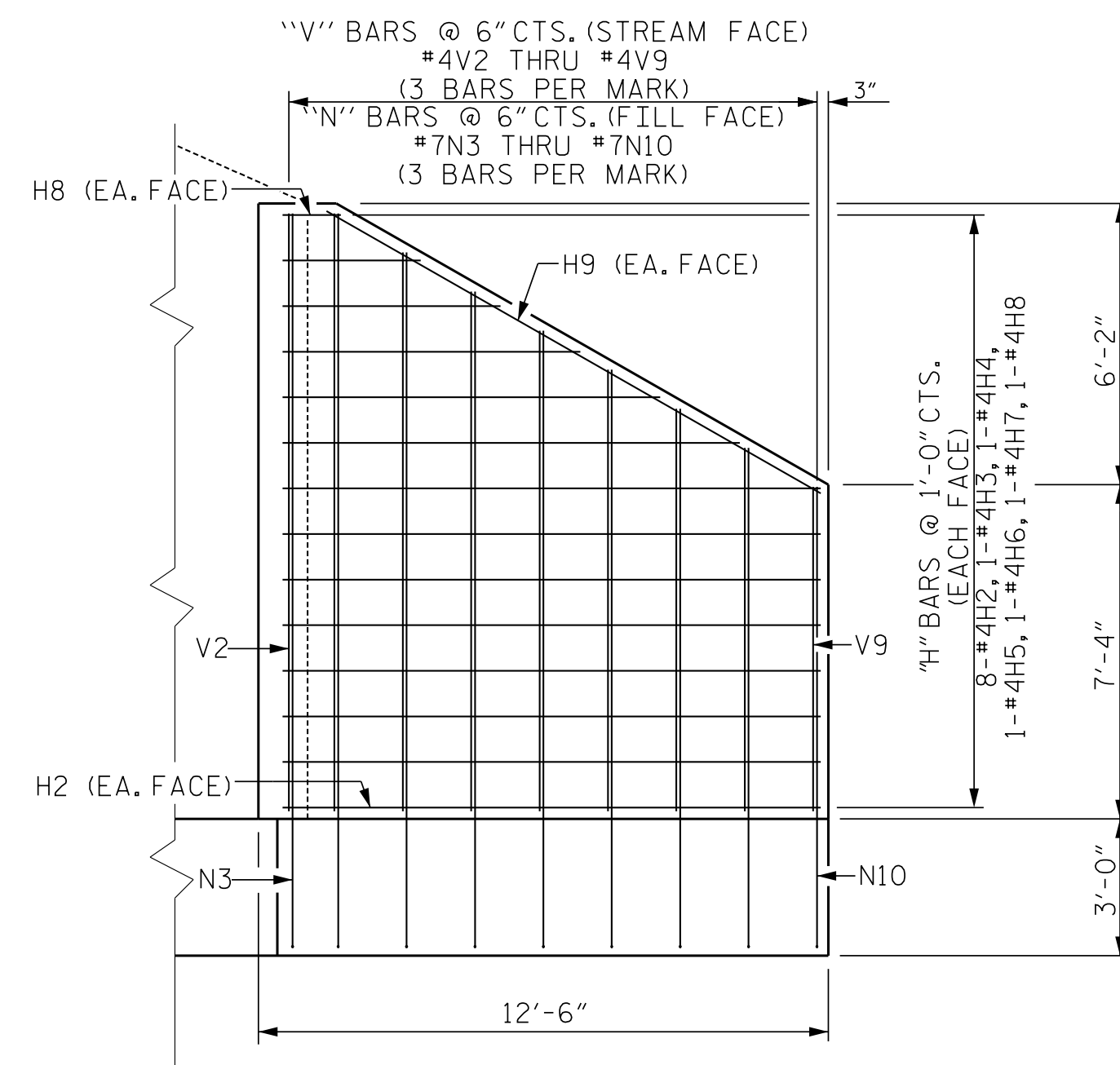
W1 ELEVATION



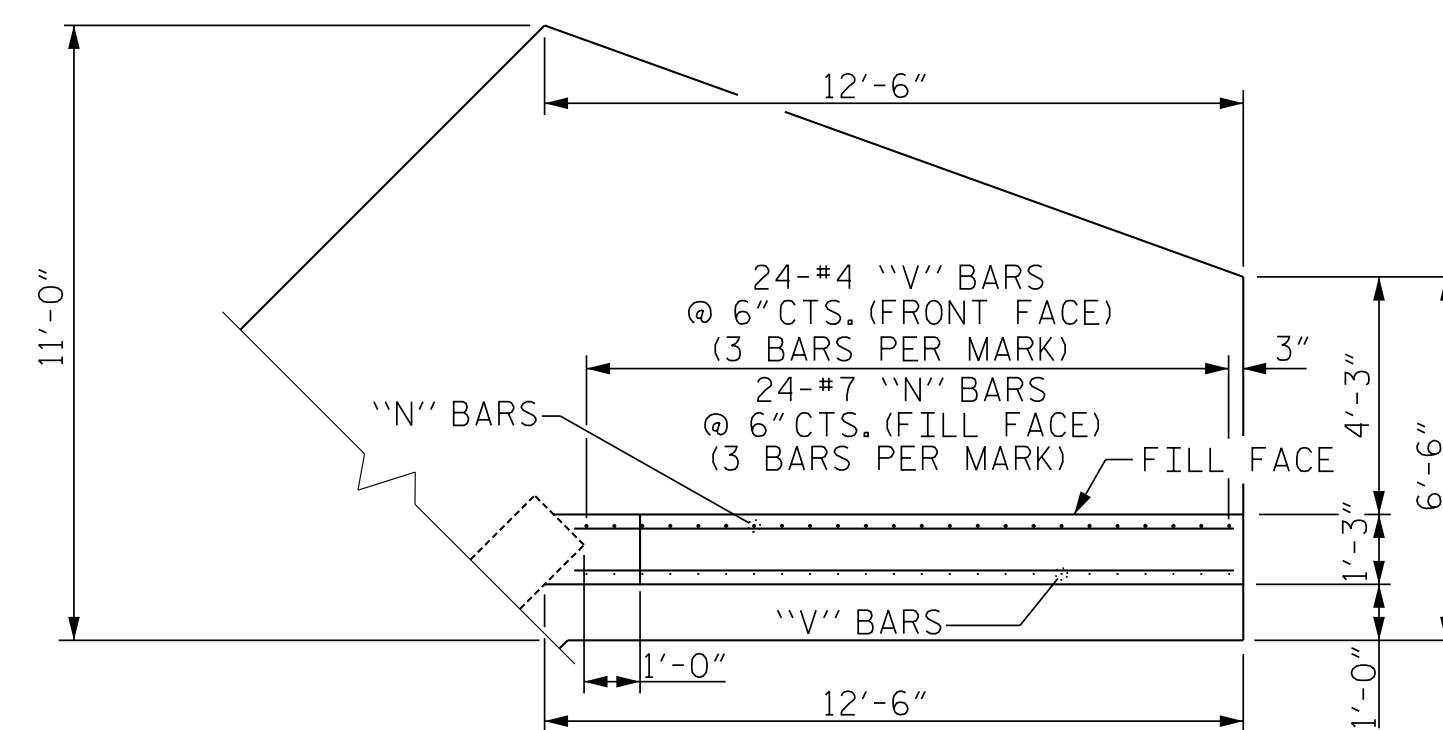
W1 SECTION



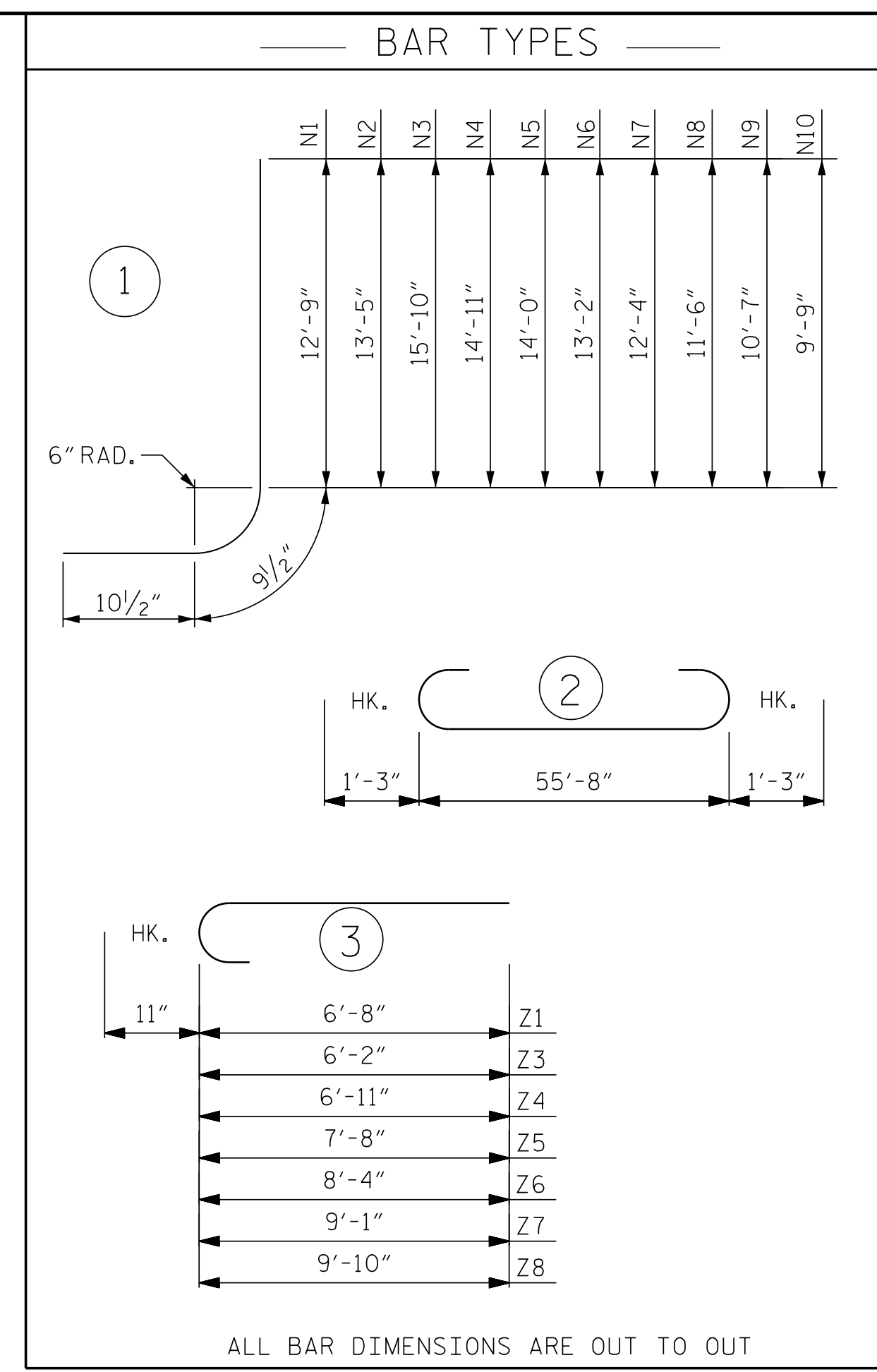
W1 PLAN



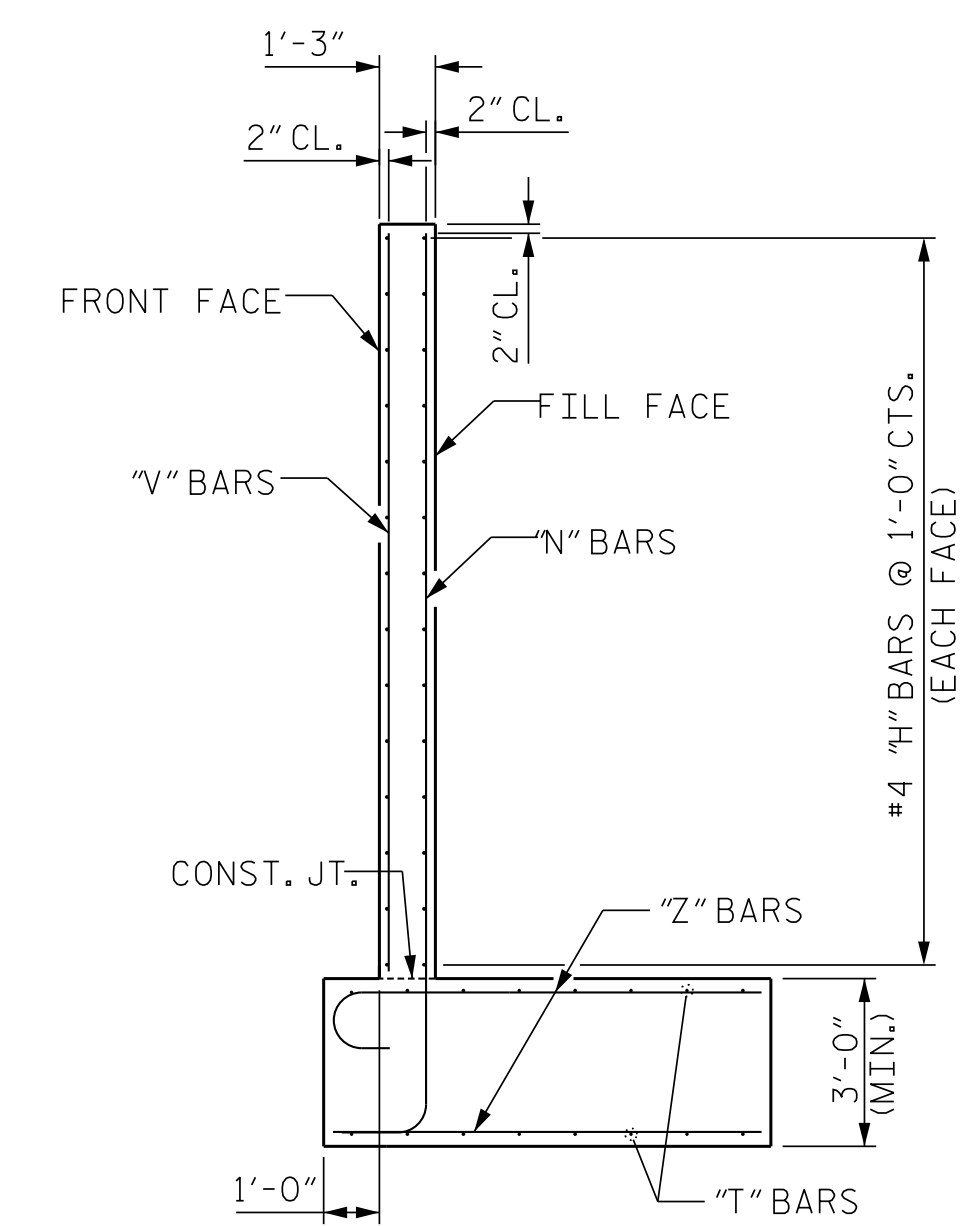
W3 ELEVATION



W3 PLAN



ALL BAR DIMENSIONS ARE OUT TO OUT

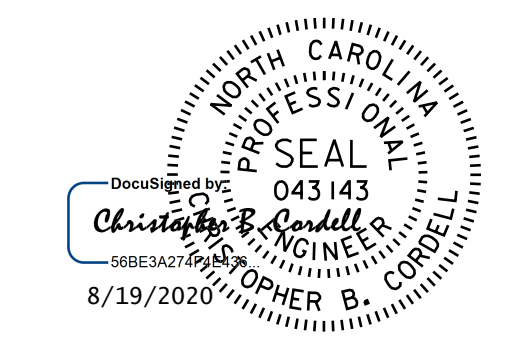


W3 SECTION

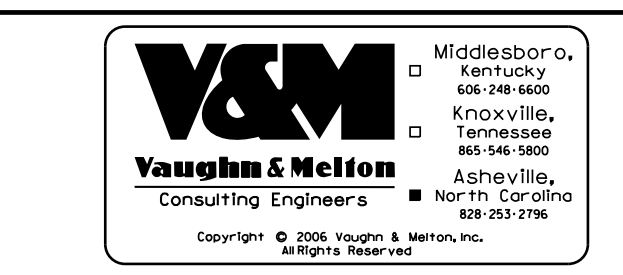
BILL OF MATERIAL											
FOOTING #1 AND WINGWALLS W1 & W3											
BAR	NO.	SIZE	TYPE	LENGTH	WEIGHT	BAR	NO.	SIZE	TYPE	LENGTH	WEIGHT
A1	82	4	STR	3'-2"	173	T1	14	4	STR	11'-11"	111
A2	2	4	STR	4'-4"	6	T2	2	4	STR	9'-6"	13
A3	2	4	STR	5'-4"	7	T3	2	4	STR	6'-8"	9
A4	2	4	STR	6'-4"	8	T4	2	4	STR	3'-11"	5
A5	2	4	STR	7'-4"	10						
A6	2	4	STR	8'-4"	11	V1	13	4	STR	10'-3"	89
A7	2	4	STR	9'-4"	12	V2	3	4	STR	13'-4"	27
A8	2	4	STR	10'-4"	14	V3	3	4	STR	12'-5"	25
A9	2	4	STR	11'-2"	15	V4	3	4	STR	11'-6"	23
A10	14	4	STR	17'-5"	163	V5	3	4	STR	10'-8"	21
						V6	3	4	STR	9'-10"	20
B1	8	9	2	58'-2"	1582	V7	3	4	STR	9'-0"	18
						V8	3	4	STR	8'-1"	16
						V9	3	4	STR	7'-3"	15
H1	22	4	STR	12'-1"	178						
H2	16	4	STR	11'-7"	124						
H3	2	4	STR	9'-10"	13	Z1	14	5	3	7'-7"	111
H4	2	4	STR	8'-1"	11	Z2	14	4	STR	6'-8"	62
H5	2	4	STR	6'-4"	8	Z3	4	8	3	7'-1"	75
H6	2	4	STR	4'-7"	6	Z4	4	8	3	7'-10"	84
H7	2	4	STR	2'-10"	4	Z5	4	8	3	8'-7"	92
H8	2	4	STR	1'-1"	1	Z6	4	8	3	9'-3"	99
H9	2	4	STR	12'-5"	17	Z7	4	8	3	10'-0"	107
						Z8	6	8	3	10'-9"	172
N1	19	5	1	14'-5"	286	Z9	1	8	STR	8'-1"	22
N2	6	7	1	15'-1"	185	Z10	1	8	STR	6'-1"	16
N3	3	7	1	17'-6"	107	Z11	1	8	STR	4'-1"	11
N4	3	7	1	16'-7"	102	Z12	1	8	STR	2'-1"	6
N5	3	7	1	15'-8"	96	Z13	4	4	STR	6'-2"	16
N6	3	7	1	14'-10"	91	Z14	4	4	STR	6'-11"	18
N7	3	7	1	14'-0"	86	Z15	4	4	STR	7'-8"	20
N8	3	7	1	13'-2"	81	Z16	4	4	STR	8'-4"	22
N9	3	7	1	12'-3"	75	Z17	4	4	STR	9'-1"	24
N10	3	7	1	11'-5"	70	Z18	6	4	STR	9'-10"	39
						Z19	1	4	STR	8'-1"	5
						Z20	1	4	STR	6'-1"	4
						Z21	1	4	STR	4'-1"	3
						Z22	1	4	STR	2'-1"	1

REINFORCING STEEL	4943 LBS.
CLASS A CONCRETE BREAKDOWN	
POUR #1 FOOTING (CULVERT & WINGS)	47.4 C.Y.
POUR #2 WING WALL STEMS	12.3 C.Y.
TOTAL CLASS A CONCRETE	59.7 C.Y.

PROJECT NO. U-5887
 HENDERSON COUNTY
 STATION: 22+44.41 -L-
 SHEET 9 OF 21



DOCUMENT NOT CONSIDERED FINAL UNLESS ALL SIGNATURES COMPLETED



DRAWN BY: HL DATE: 03/2020
 CHECKED BY: CBC DATE: 03/2020
 ENG. OF RECORD: CBC DATE: 03/2020

REVISIONS						SHEET NO. C-9
NO.	BY:	DATE:	NO.	BY:	DATE:	
1			3			TOTAL SHEETS 36
2			4			

STATE OF NORTH CAROLINA
 DEPARTMENT OF TRANSPORTATION
 RALEIGH

FOOTING #1
 WINGWALL DETAILS