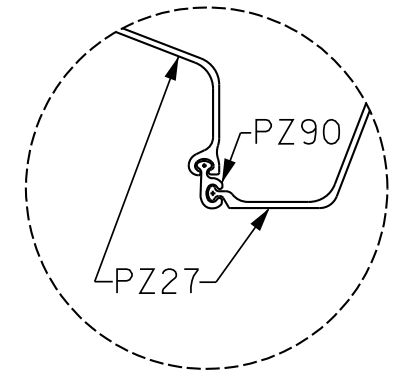
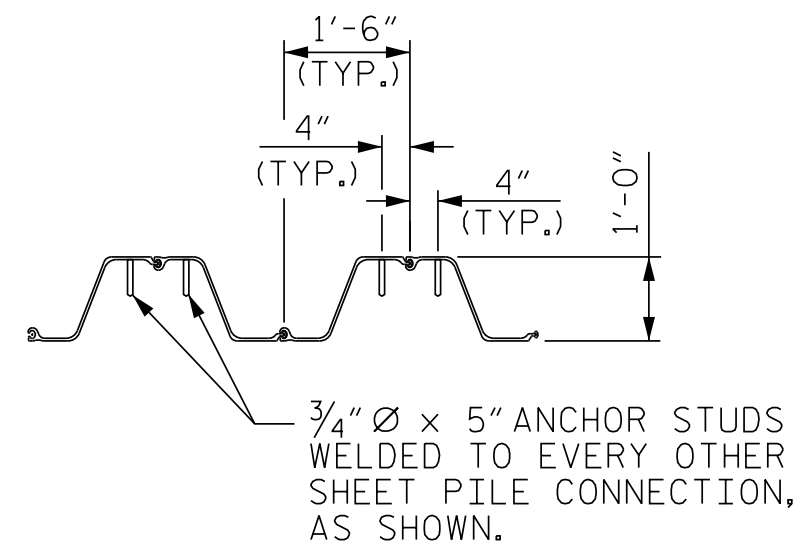


DETAIL "A"

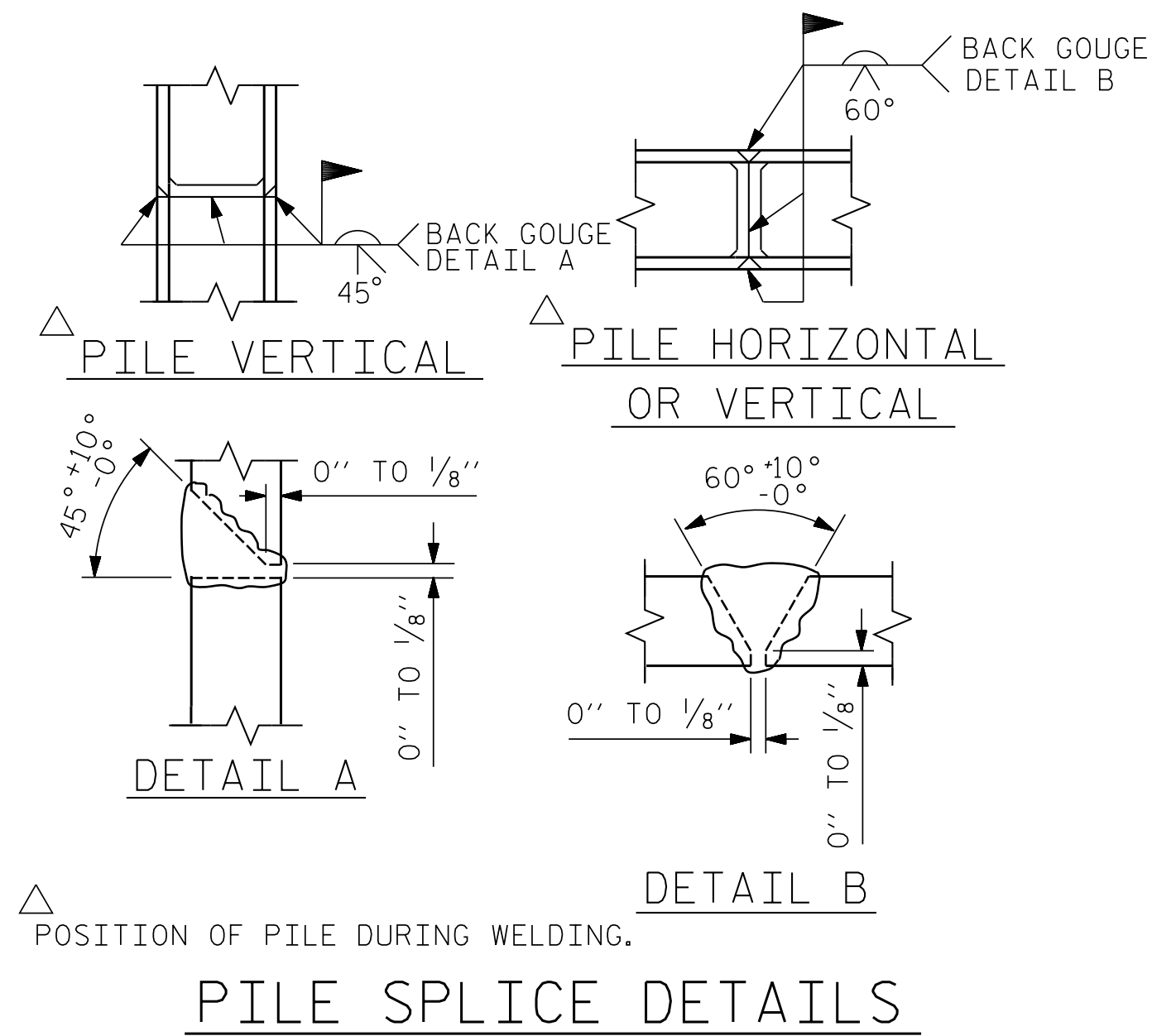


DETAIL "B"



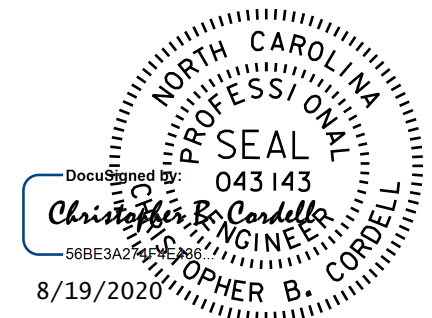
ANCHOR STUD DETAIL

SHEET PILE CONNECTION DETAILS



△ POSITION OF PILE DURING WELDING.

PILE SPLICE DETAILS



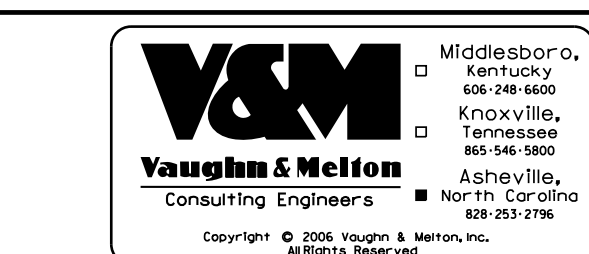
PROJECT NO. U-5887

    HENDERSON     COUNTY

STATION: 22+44.41 -L-

SHEET 8 OF 21

DOCUMENT NOT CONSIDERED  
FINAL UNLESS ALL  
SIGNATURES COMPLETED



DRAWN BY: HL      DATE: 03/2020  
CHECKED BY: CBC      DATE: 03/2020  
ENG. OF RECORD: CBC      DATE: 03/2020

STATE OF NORTH CAROLINA  
DEPARTMENT OF TRANSPORTATION  
RALEIGH

FOOTING #2 DETAILS

REVISIONS						SHEET NO. C-8
NO.	BY:	DATE:	NO.	BY:	DATE:	
1			3			TOTAL SHEETS 36
2			4			