

NOTES

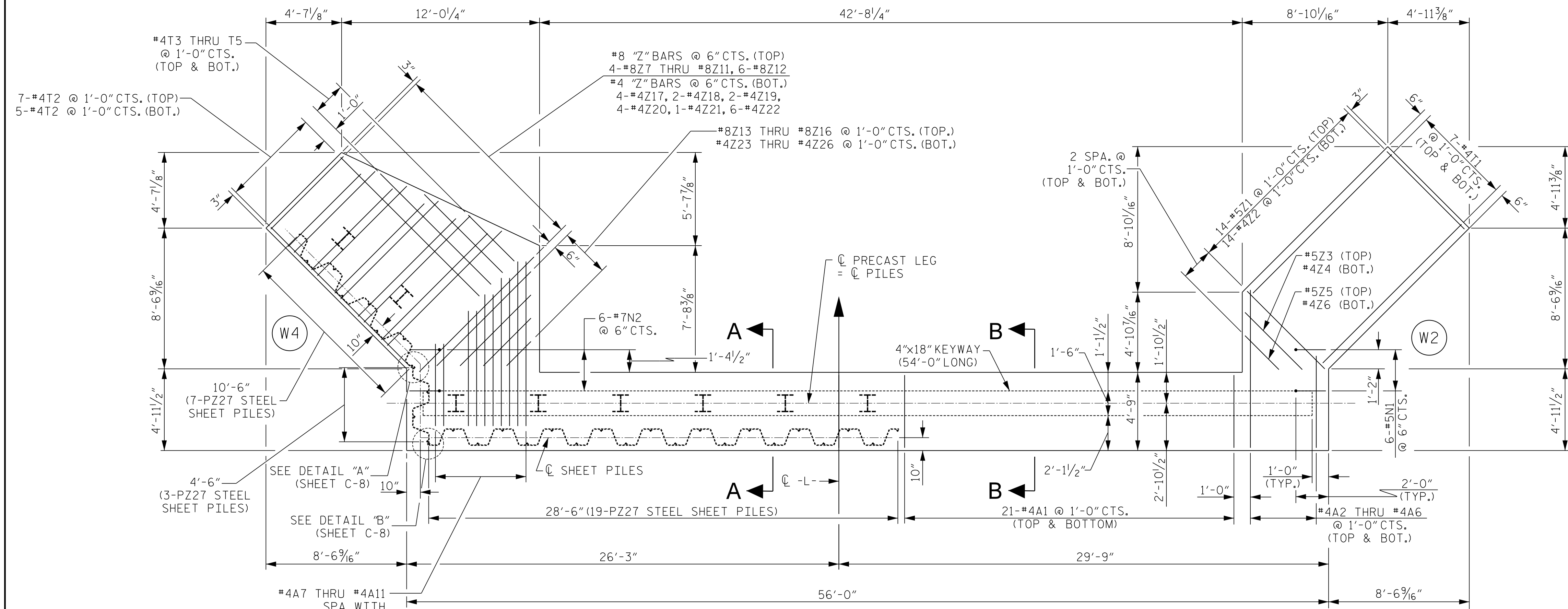
WING #4 BOTTOM "Z" AND "T" BARS MATCH TOP "Z" AND "T" BAR HORIZONTAL LOCATIONS, BUT ARE OMITTED WHERE THEY ARE COINCIDENT WITH SHEET PILES AND H-PILES.

STIRRUPS IN PILE CAP PORTION OF FOOTING MAY BE SHIFTED AS NECESSARY.

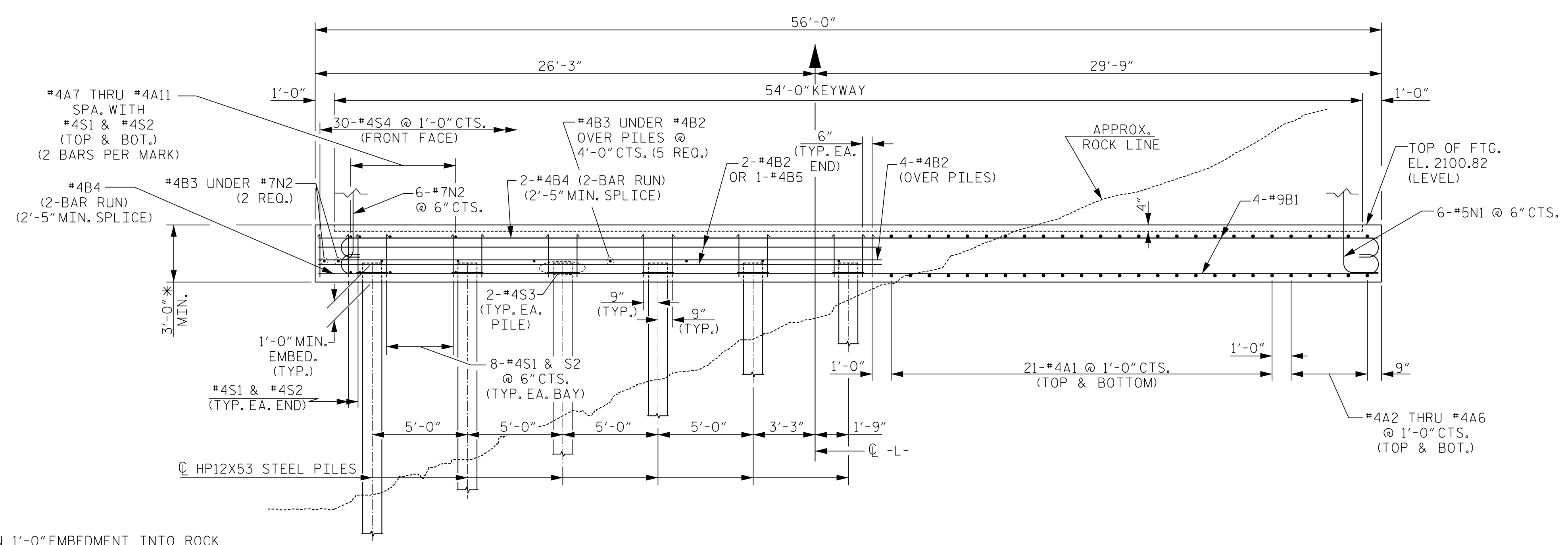
FOR PILE SPLICE DETAILS, SEE SHEET C-8.

FOR SHEET PILE DETAILS, SEE SHEET C-8.

FOR WING DETAILS, SEE SHEET C-10.



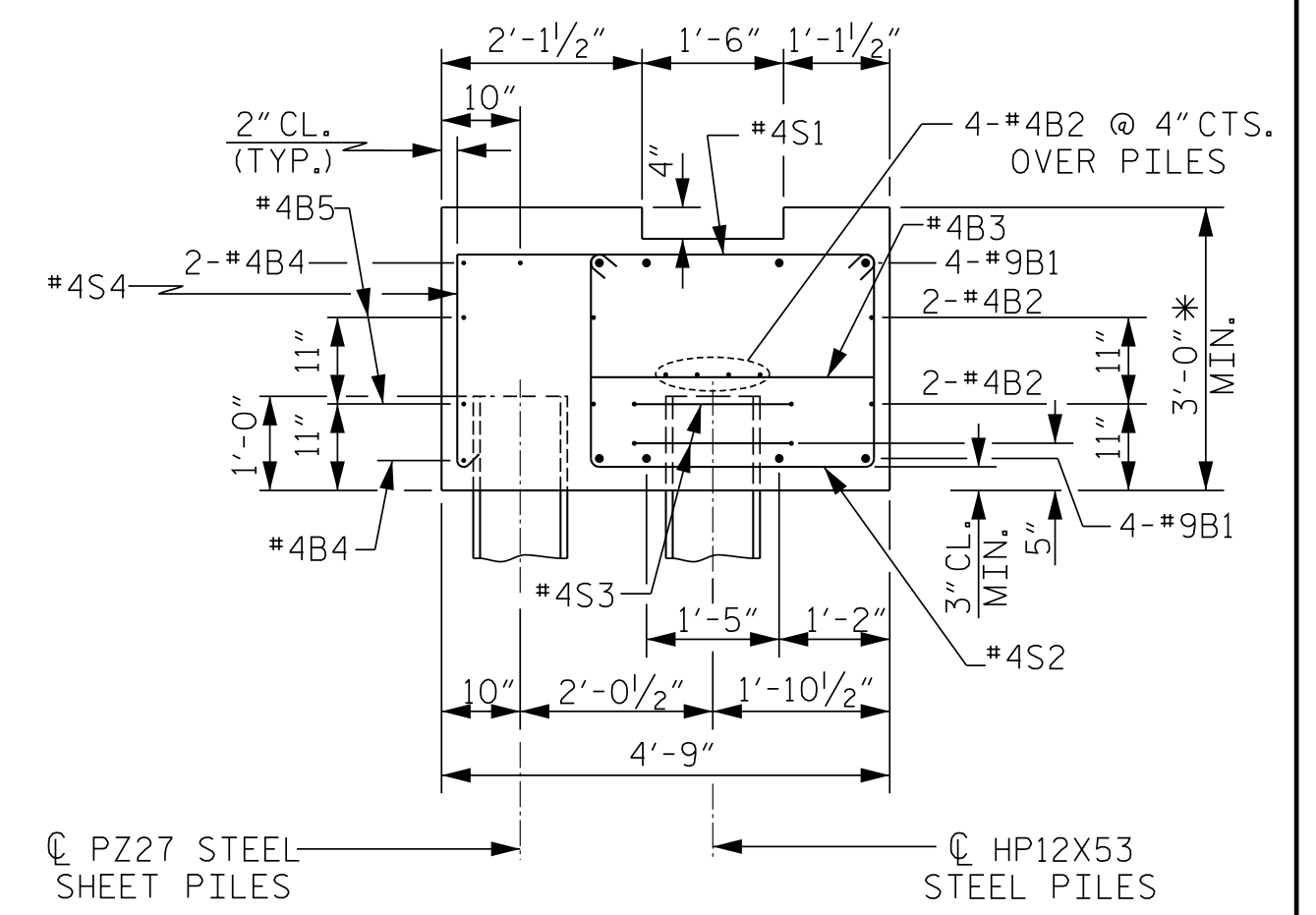
FOOTING #2 PLAN



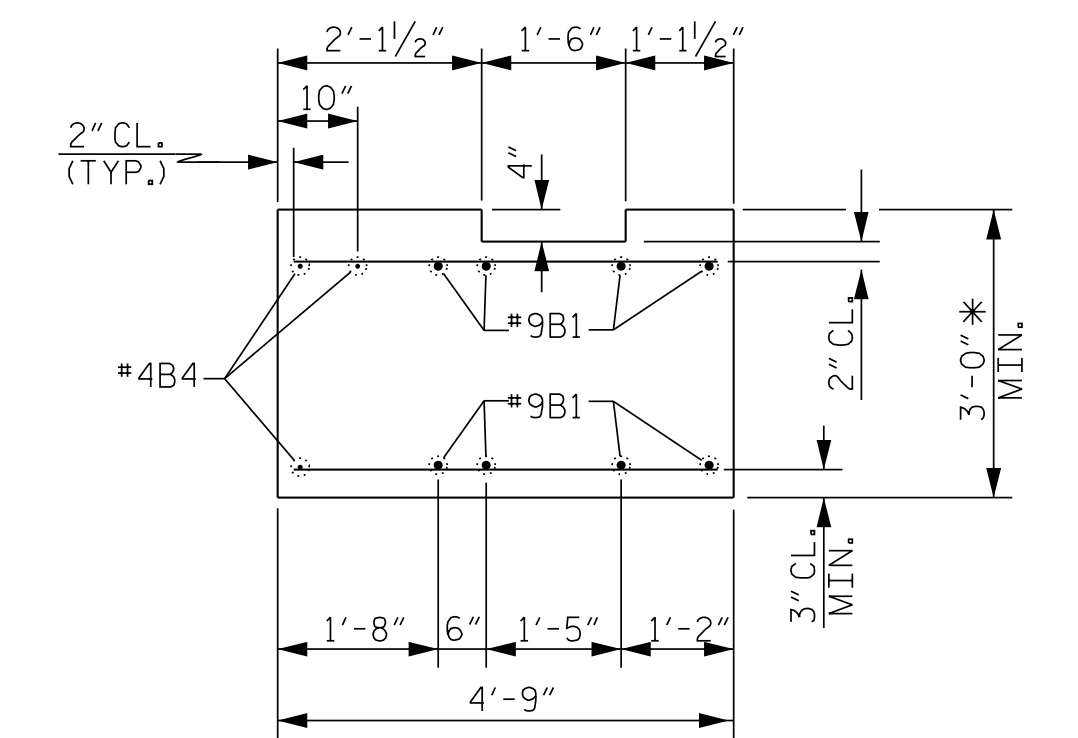
FOOTING #2 ELEVATION

WING FOOTINGS NOT SHOWN

* MAINTAIN 1'-0" EMBEDMENT INTO ROCK



SECTION A-A



SECTION B-B

PROJECT NO. U-5887

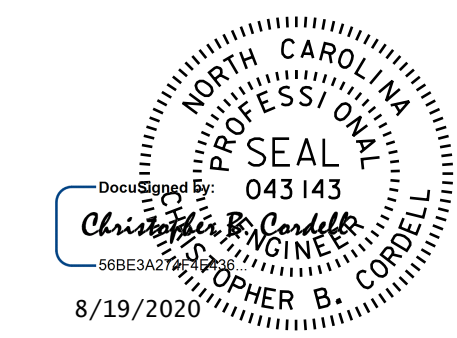
HENDERSON COUNTY

STATION: 22+44.41 -L-

SHEET 7 OF 21

STATE OF NORTH CAROLINA
DEPARTMENT OF TRANSPORTATION
RALEIGH

FOOTING #2 DETAILS



DOCUMENT NOT CONSIDERED
FINAL UNLESS ALL
SIGNATURES COMPLETED



DRAWN BY: HL DATE: 03/2020
CHECKED BY: CBC DATE: 03/2020
ENG. OF RECORD: CBC DATE: 03/2020

REVISIONS						SHEET NO. C-7
NO.	BY:	DATE:	NO.	BY:	DATE:	
1			3			TOTAL SHEETS 36
2			4			