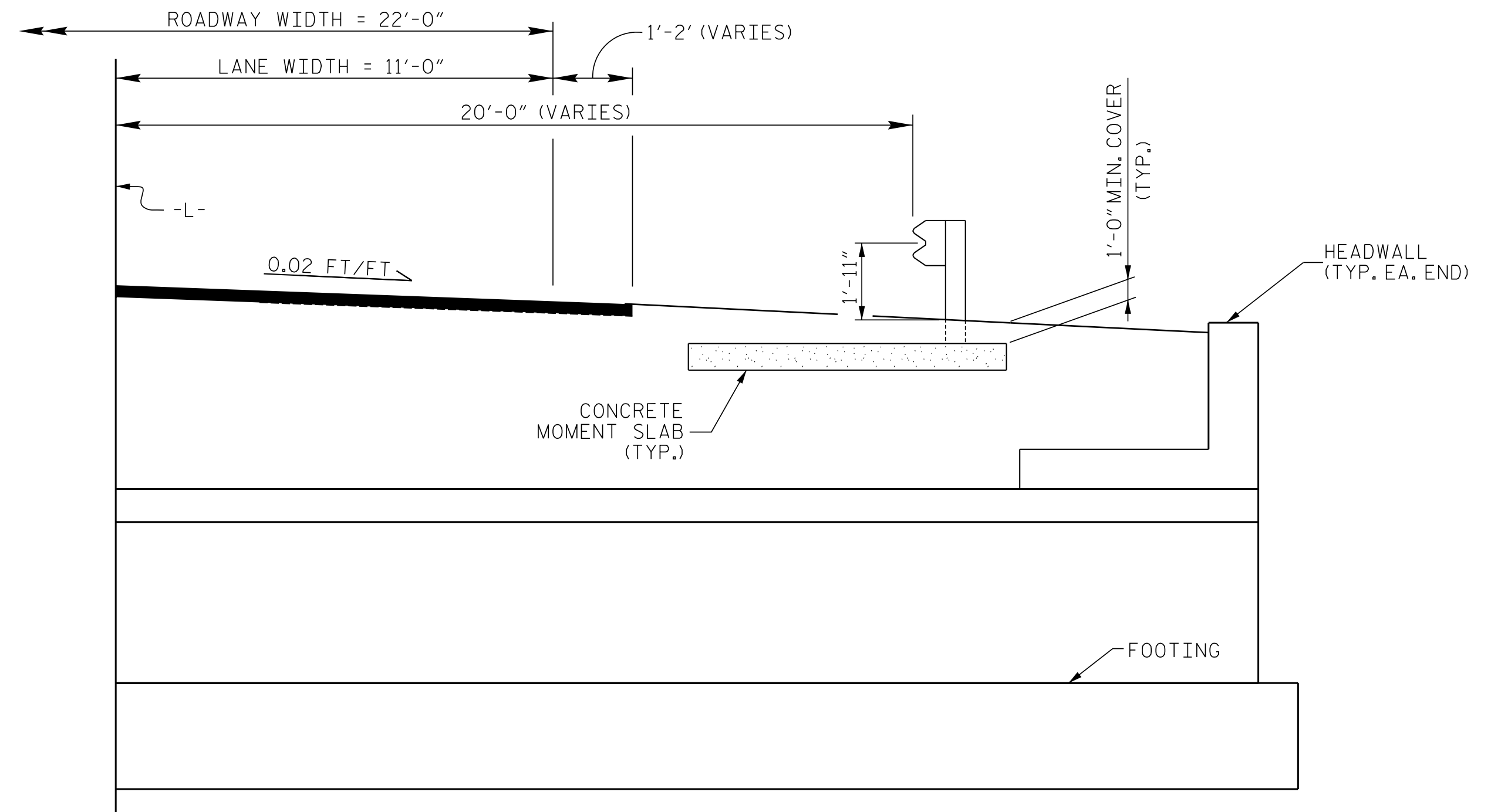
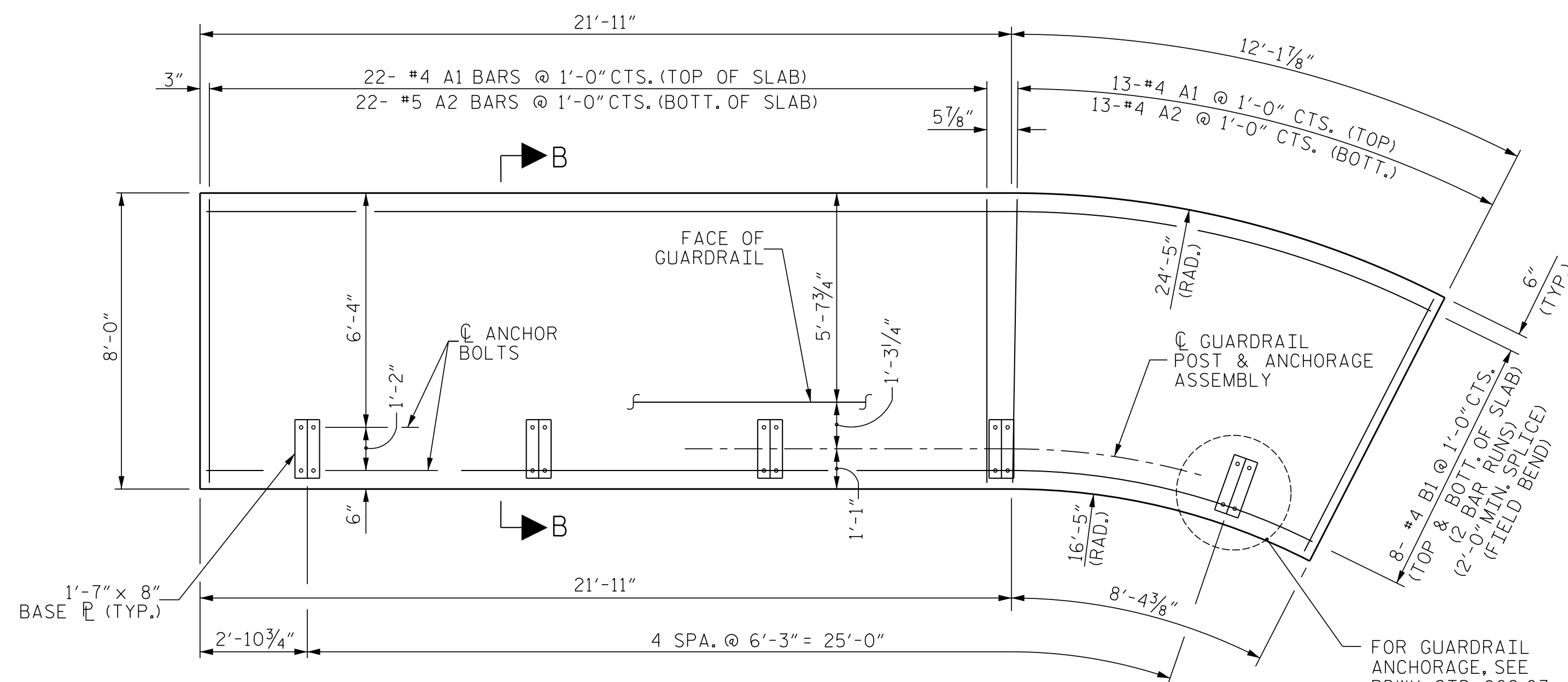


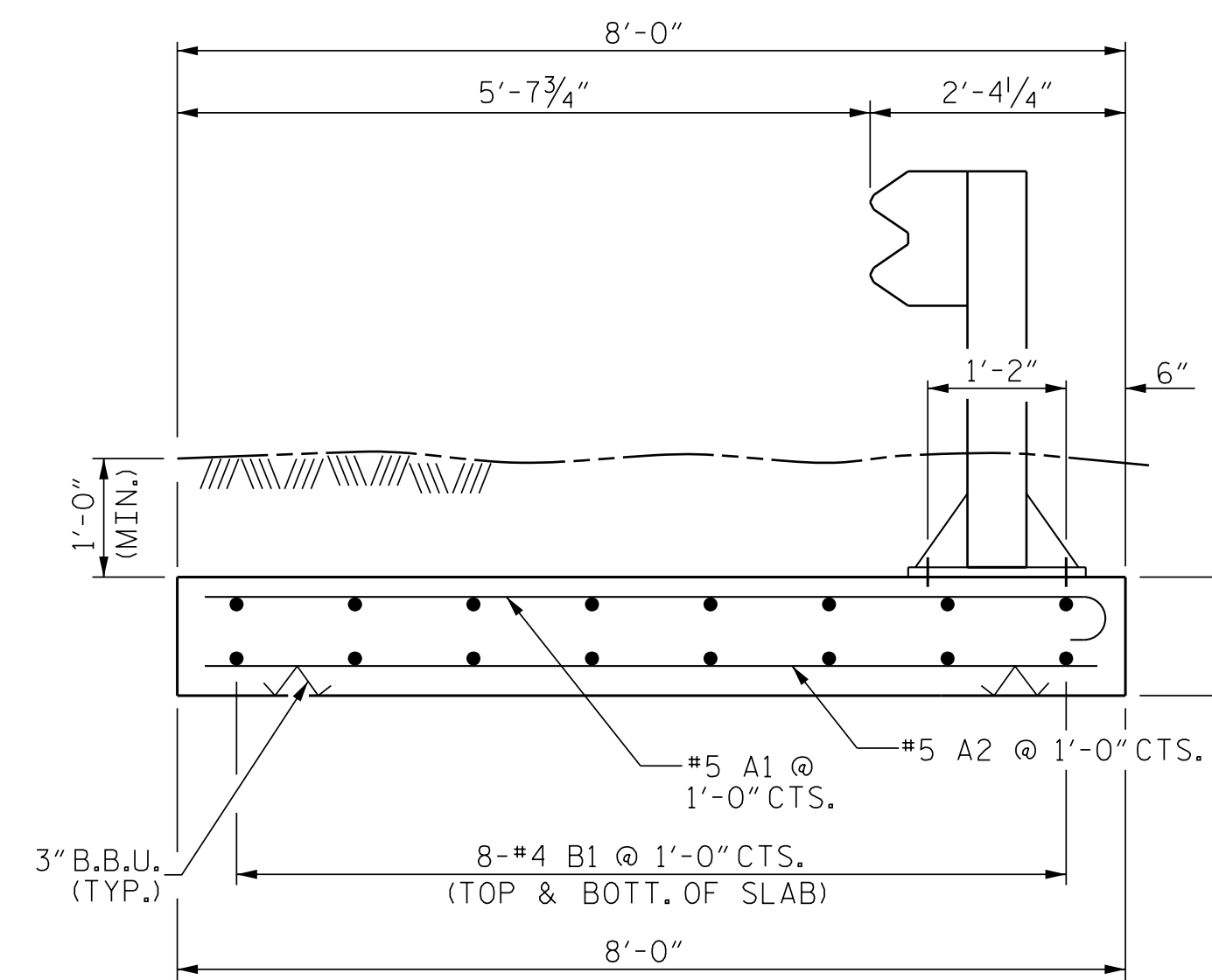
END ELEVATION



SECTION A-A

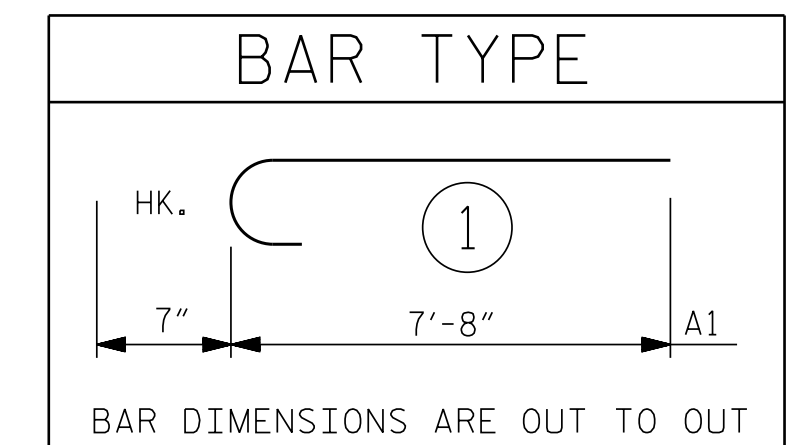


MOMENT SLAB PLAN



SECTION B-B

BILL OF MATERIAL FOR MOMENT SLAB					
BAR	NO.	SIZE	TYPE	LENGTH	WEIGHT
A1	35	5	1	8'-3"	301
A2	35	5	STR	7'-8"	280
B1	16	4	STR	17'-9"	190
REINFORCING STEEL LBS. = 771					
CLASS A CONCRETE CU. YDS. = 9.5					



PROJECT NO. U-5887

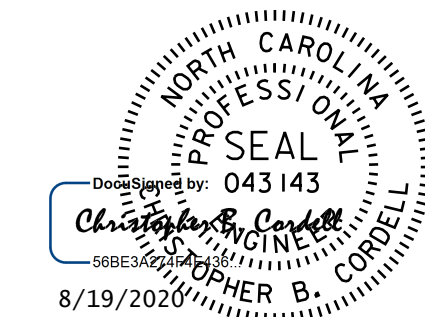
HENDERSON COUNTY

STATION: 22+44.41 -L-

SHEET 3 OF 21

STATE OF NORTH CAROLINA
DEPARTMENT OF TRANSPORTATION
RALEIGH

CONCRETE MOMENT
SLAB DETAILS



DOCUMENT NOT CONSIDERED
FINAL UNLESS ALL
SIGNATURES COMPLETED

DRAWN BY: HL DATE: 03/2020
CHECKED BY: CBC DATE: 03/2020
ENG. OF RECORD: CBC DATE: 03/2020

REVISIONS					
NO.	BY:	DATE:	NO.	BY:	DATE:
1			3		
2			4		

SHEET NO.
C-3
TOTAL SHEETS
36