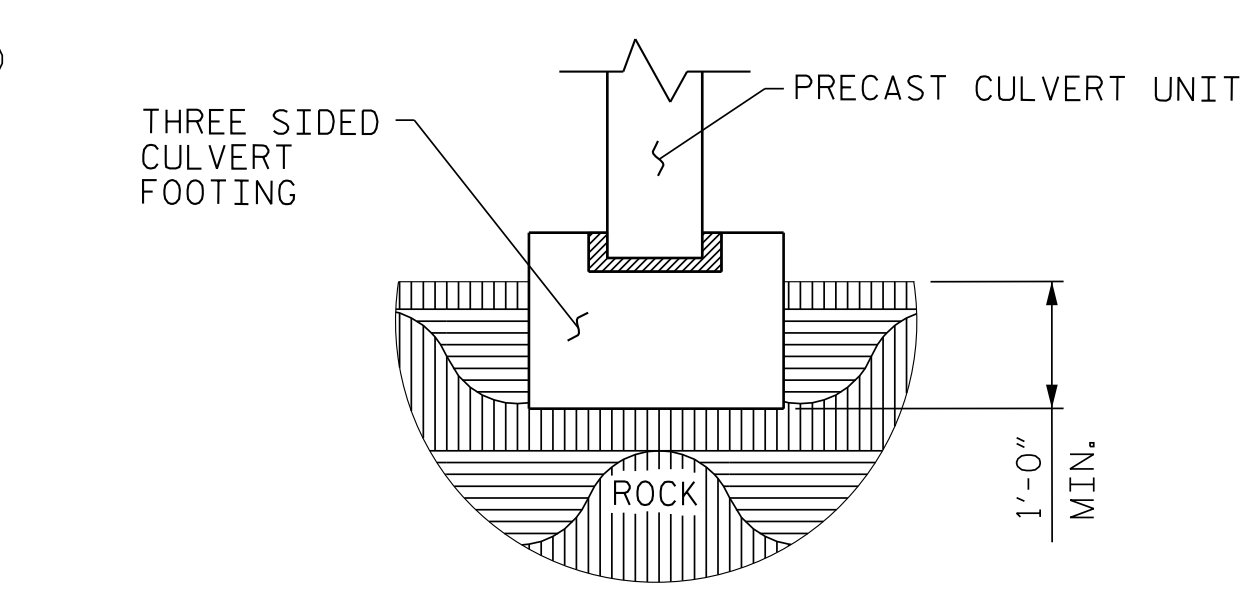
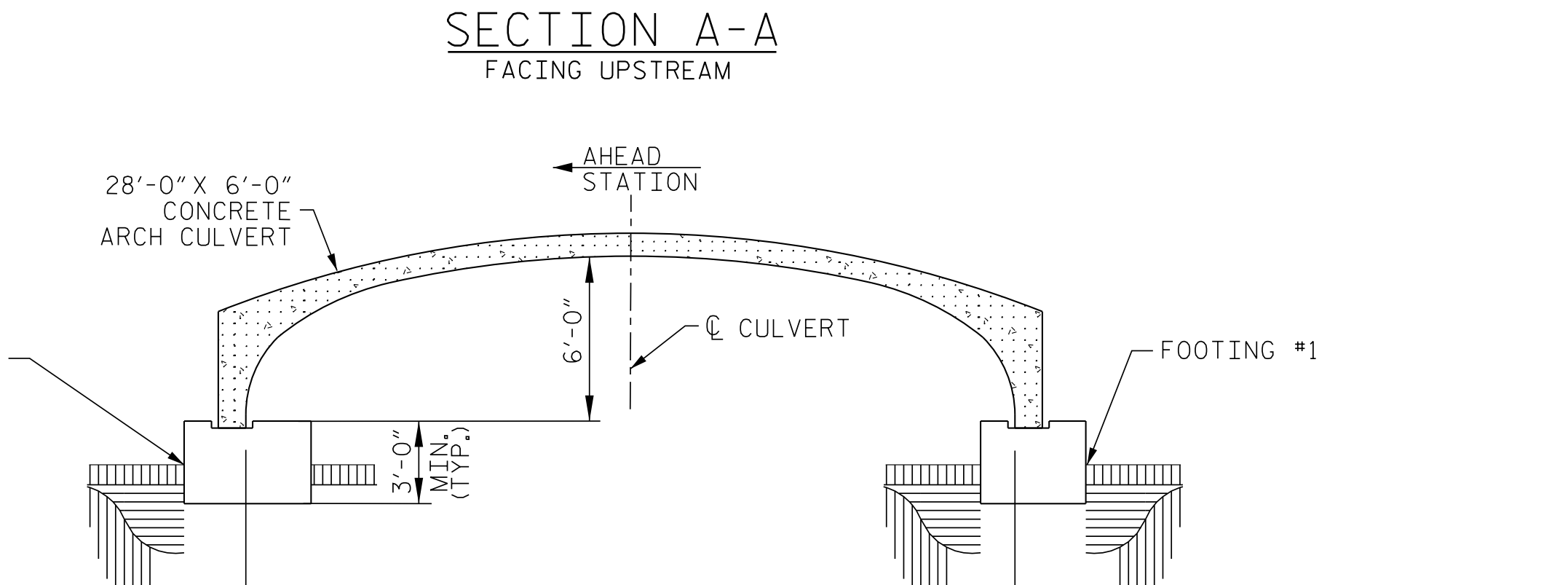
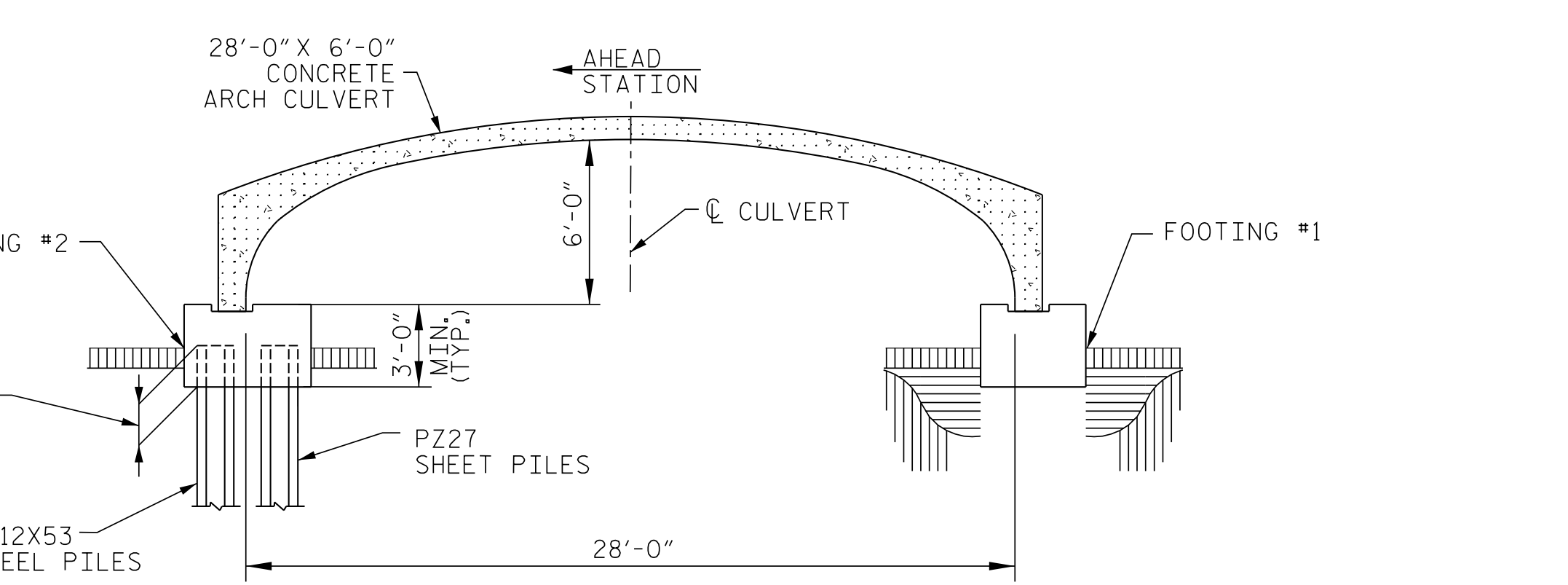
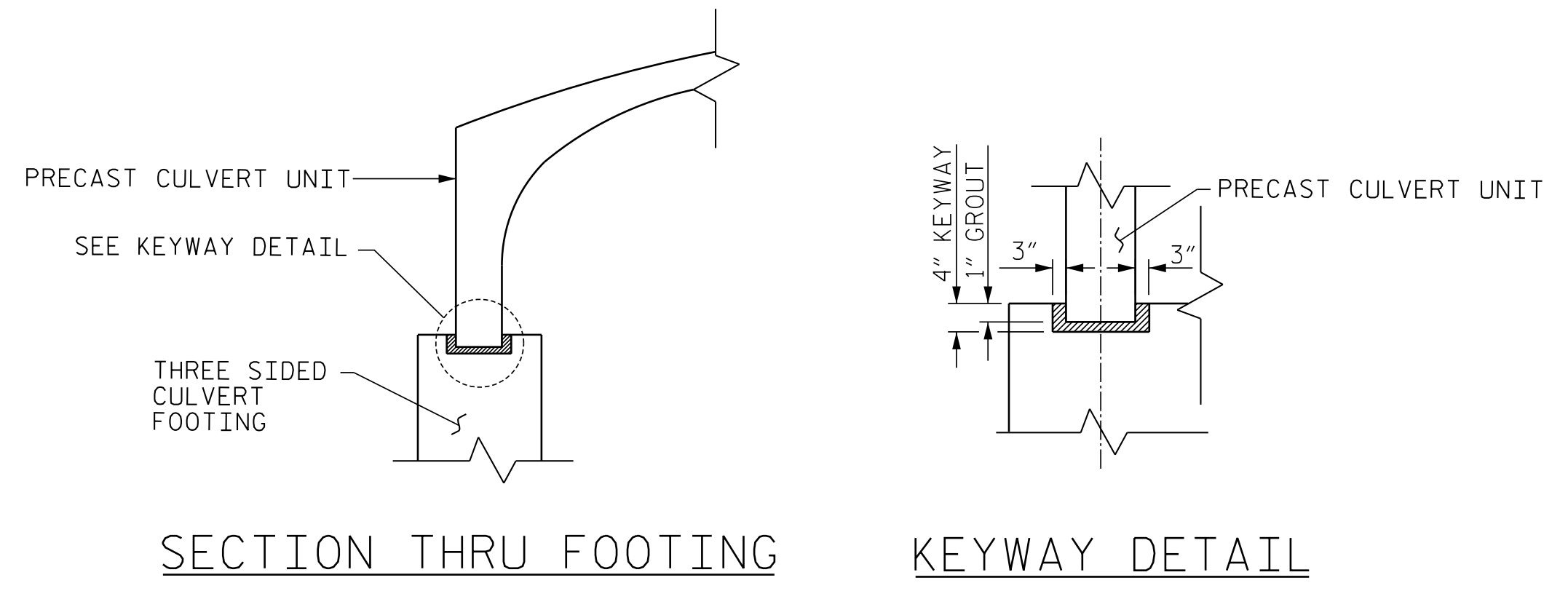


CULVERT SECTION NORMAL TO ROADWAY

FOOTING #2- COMBINATION FOOTING WITH A PORTION KEYPED 1'-0" MIN. INTO ROCK AND A PORTION SUPPORTED ON STEEL SHEET PILES AND H-PILES (SEE DETAIL, SHEET C-7)

END MOMENT SLAB STA. 22+61.17, 20.39' RT. TOP OF SLAB EL. 2109.95

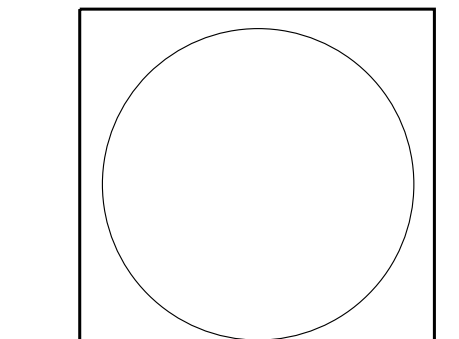
BEGIN MOMENT SLAB STA. 22+29.34, 18.55' RT. TOP OF SLAB EL. 2109.67



KEYED FOOTING DETAIL
SIDES OF FOOTING SHALL BE IN CONTACT WITH UNDISTURBED MATERIAL FOR MINIMUM DIMENSION SHOWN

SECTION B-B FACING UPSTREAM

I HEREBY CERTIFY THAT THESE PLANS ARE THE AS-BUILT PLANS.



PROJECT NO. U-5887
HENDERSON COUNTY
STATION: 22+44.41 -L-
SHEET 2 OF 21

STATE OF NORTH CAROLINA
DEPARTMENT OF TRANSPORTATION
RALEIGH
28'-0" X 6'-0" PRECAST CONSPAN ARCH CULVERT
ALONG KING CREEK
ON SR 1783 (N. HIGHLAND LAKE RD)

DOCUMENT NOT CONSIDERED FINAL UNLESS ALL SIGNATURES COMPLETED

V&M
Vaughn & Melton
Consulting Engineers
Middlesboro, Kentucky 606-344-6600
Knoxville, Tennessee 865-546-8900
Asheville, North Carolina 828-253-5796

DRAWN BY: HL DATE: 03/2020
CHECKED BY: CBC DATE: 03/2020
ENG. OF RECORD: CBC DATE: 03/2020

REVISIONS						SHEET NO. C-2
NO.	BY:	DATE:	NO.	BY:	DATE:	
1			3			TOTAL SHEETS 36
2			4			