

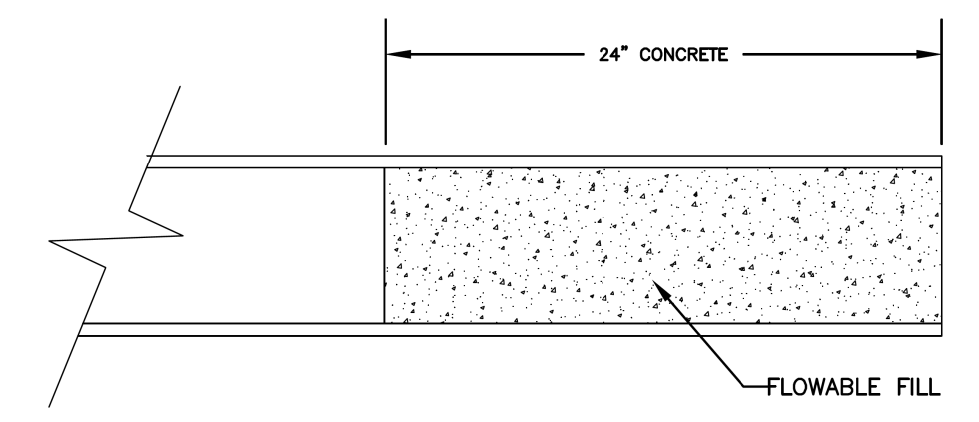
12/31/20

V:\Asheville\transportation\31535-05 U-5886\Utilities\Water and Sewer Design\U5886-UTL-UC-3A.dgn

**HENDERSON  
COUNTY**

|   |                                    |
|---|------------------------------------|
| PROJECT REFERENCE NO.<br><b>U-5887</b>                                      | SHEET NO.<br><b>UC-3F</b>          |
| DESIGNED BY: <b>DCR</b>   |                                    |
| DRAWN BY: <b>DCR</b>  |                                    |
| CHECKED BY: <b>JDN</b>  |                                    |
| APPROVED BY: <b>JDN</b>   |                                    |
| NORTH CAROLINA<br>DEPARTMENT OF<br>TRANSPORTATION                           |                                    |
| UTILITIES ENGINEERING SEC.<br>PHONE: (919) 707-6690<br>FAX: (919) 250-4151  | UTILITY CONSTRUCTION<br>PLANS ONLY |
| <b>DOCUMENT NOT CONSIDERED FINAL<br/>UNTIL ALL SIGNATURES ARE COMPLETED</b> |                                    |

**UTILITY CONSTRUCTION**



SECTION PIPE ABANDONMENT

- NOTE:**
1. PIPE PLUGS SHALL BE INSTALLED TO THE SATISFACTION OF THE ENGINEER.
  2. ABANDONED PIPES, 12" AND LARGER, SHALL BE BROKEN INTO EVERY 50' AND SHALL BE FILLED COMPLETELY WITH SAND SLURRY.

|   |                         |  |
|---|-------------------------|--|
| DATE: 01/12/2019 SS-D DWG. NO. 24   | <b>PIPE ABANDONMENT</b> |  |
| SCALE: NOT TO SCALE   |                         |  |
| City of Hendersonville Engineering Department<br>305 Williams Street<br>Hendersonville, NC 28792<br>(828) 697-3000 (office)<br><a href="http://www.cityofhendersonville.org">www.cityofhendersonville.org</a> |                         |  |

**V&M**  
Vaughn & Melton  
Consulting Engineers

Asheville, North Carolina  
828-253-2796

|   |  |  |
|---|--|--|
| <input type="checkbox"/> Tri-Cities, TN<br>423-467-8401 | <input type="checkbox"/> Knoxville, TN<br>865-546-5800 | <input type="checkbox"/> Spartanburg, SC<br>864-574-4175 |
| <input type="checkbox"/> Asheville, NC<br>704-357-0488  | <input type="checkbox"/> Boone, NC<br>828-355-9933     | <input type="checkbox"/> Charleston, SC<br>843-974-5650  |
| <input type="checkbox"/> Charlotte, NC                  | <input type="checkbox"/> Kennesaw, GA<br>770-621-3590  | <input type="checkbox"/> Greenville, SC<br>864-248-6600  |

Copyright © 2019 Vaughn & Melton, Inc. All Rights Reserved