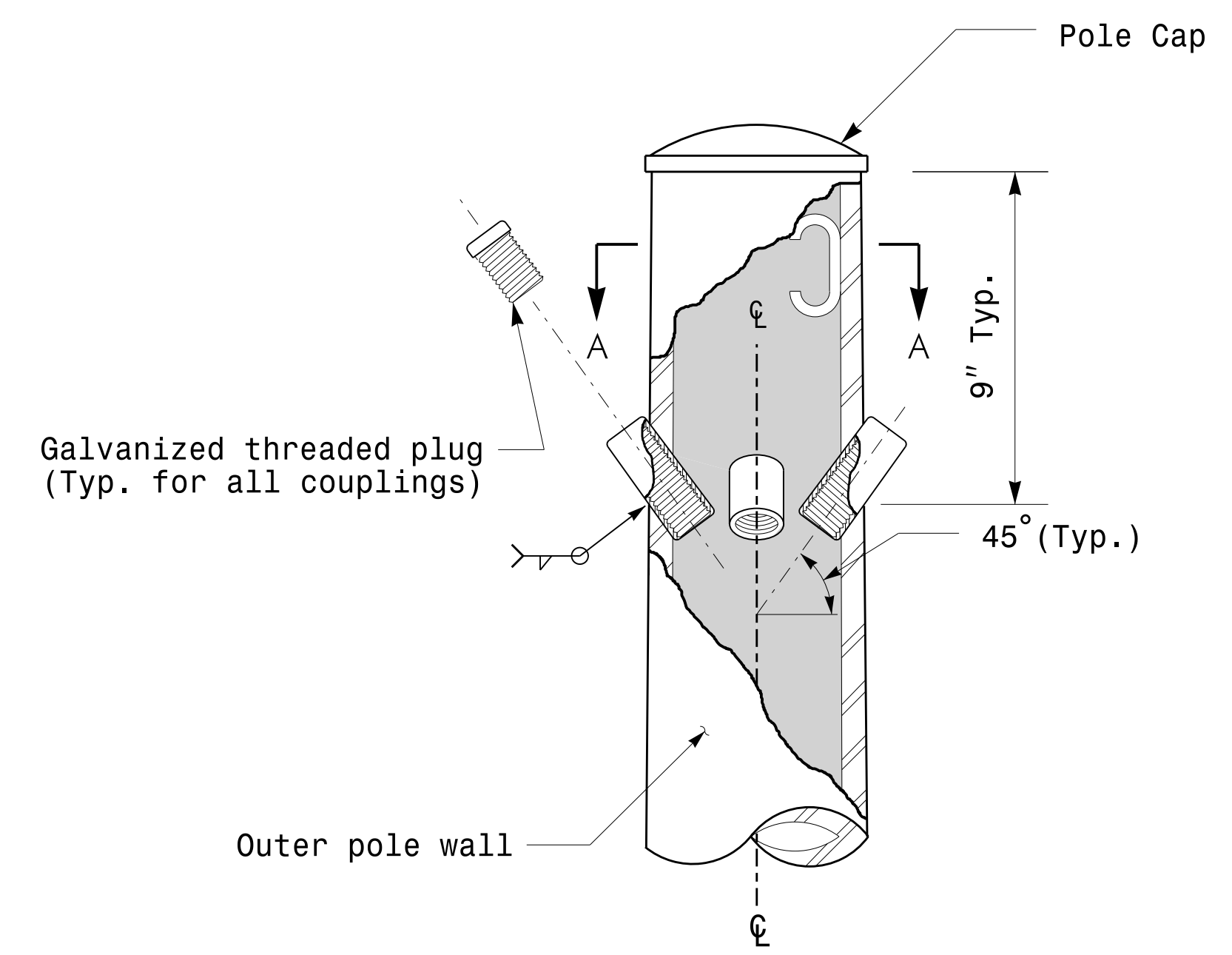
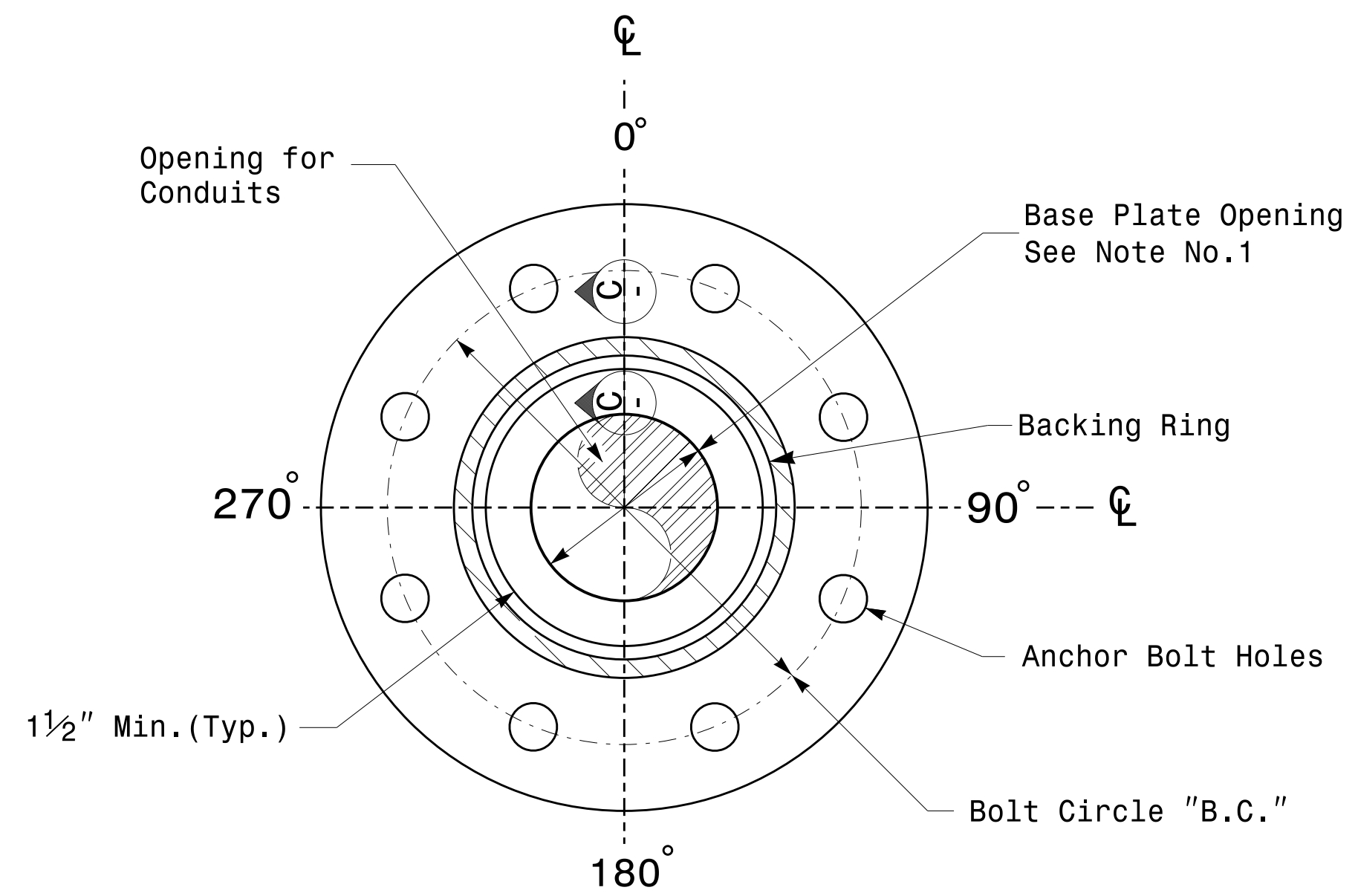


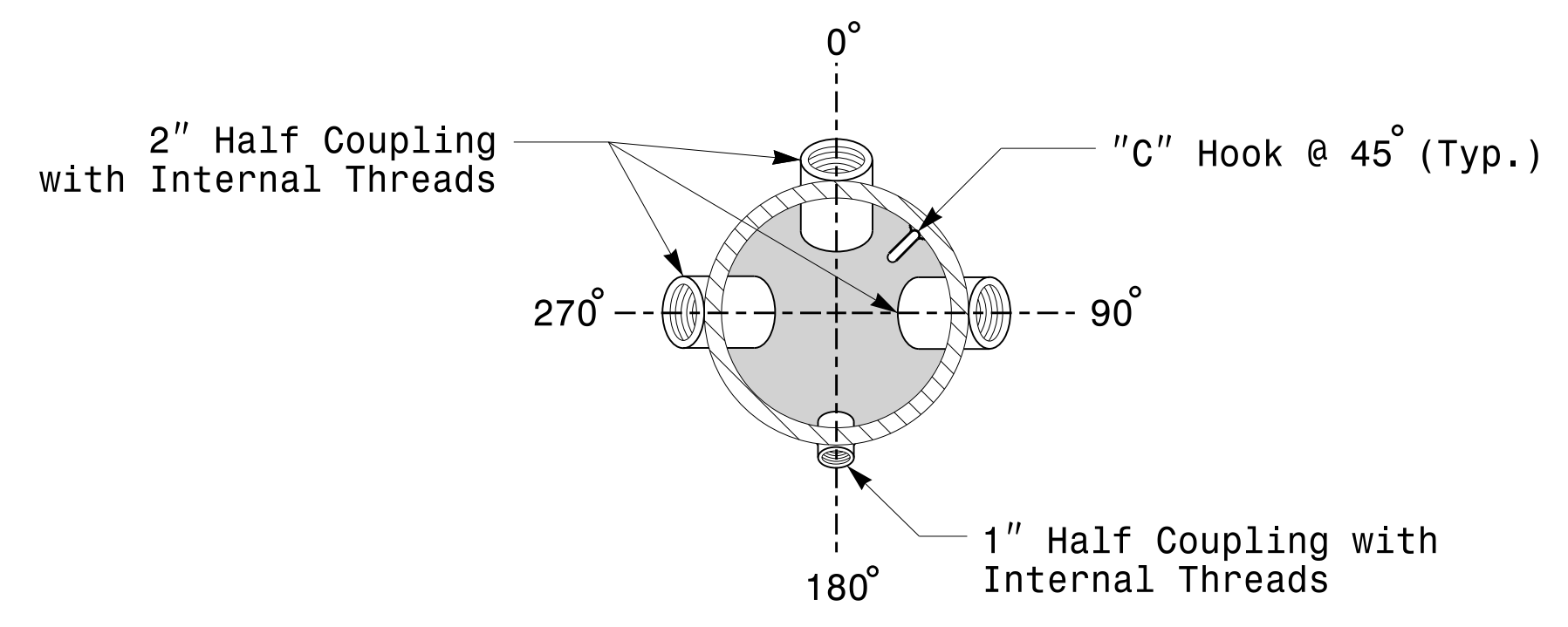
Note:  
 1. Opening in pole base plate shall be equal to pole base inside diameter minus 3 1/2" but shall not be less than 8 1/2".



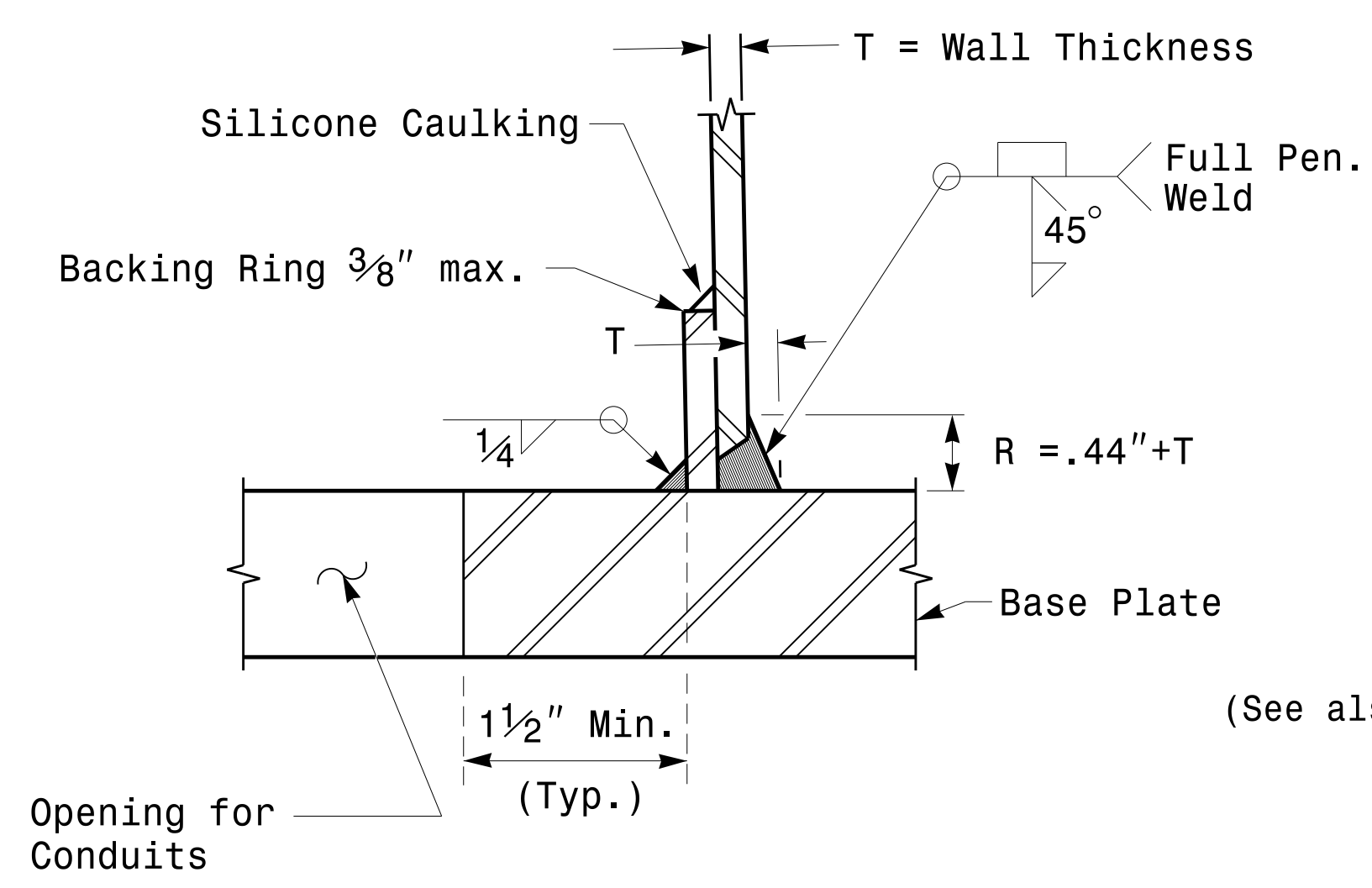
Cable Entrances at Top of Pole



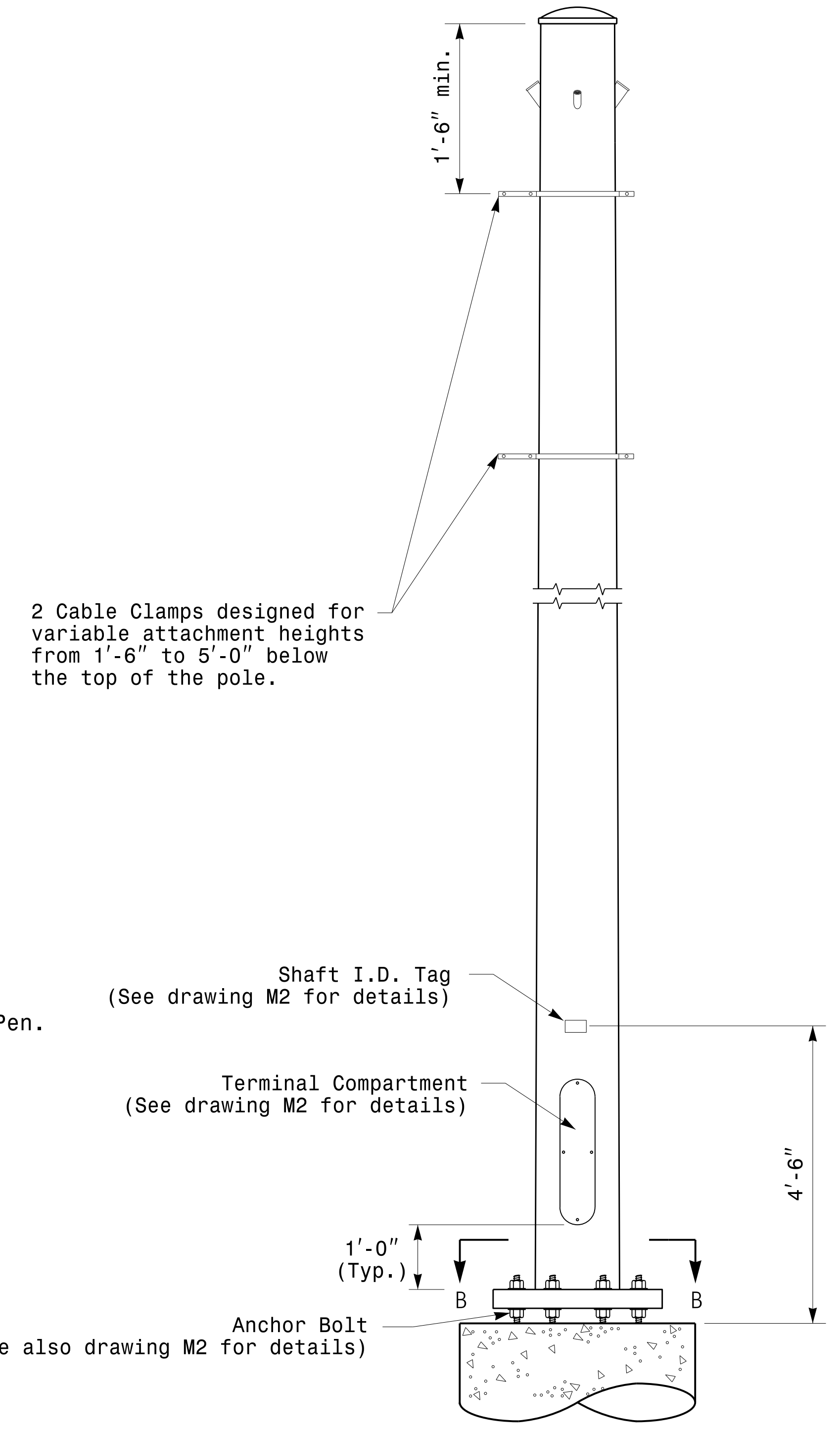
Section B-B  
Pole Base Plate Details  
(8 and 12 Bolt Pattern)



Section A-A  
Radial Orientation for Factory Installed  
Accessories at Top of Pole



Section C-C  
(Pole Attachment to Base Plate)  
Full-Penetration  
Groove Weld Detail



Monotube Strain Pole

Prepared in the Offices of:  
  
 750 N. Greenleaf Pkwy, Garner, NC 27529

Typical Fabrication Details For Strain Poles			
PLAN DATE:	OCTOBER 2017	DESIGNED BY:	K.C. DURIGON
PREPARED BY:	N. BITTING	REVIEWED BY:	D.C. SARKAR
REVISIONS	INIT.	DATE	

SEAL  
  
 DocuSigned by:  
 Debesh C. Sarkar  
 44EB87816FA74FURE  
 10/11/2017  
 DATE

11-0CT-2017\_08:25  
 1365604115 Signal.svk:gnrc Design Section\Facsim Region\MM Sheets\2016\2014 Sig.M3 Std. Fabrication Details-Strain Poles.dgn  
 PLOT: User

**Fabrication Details – Strain Poles**