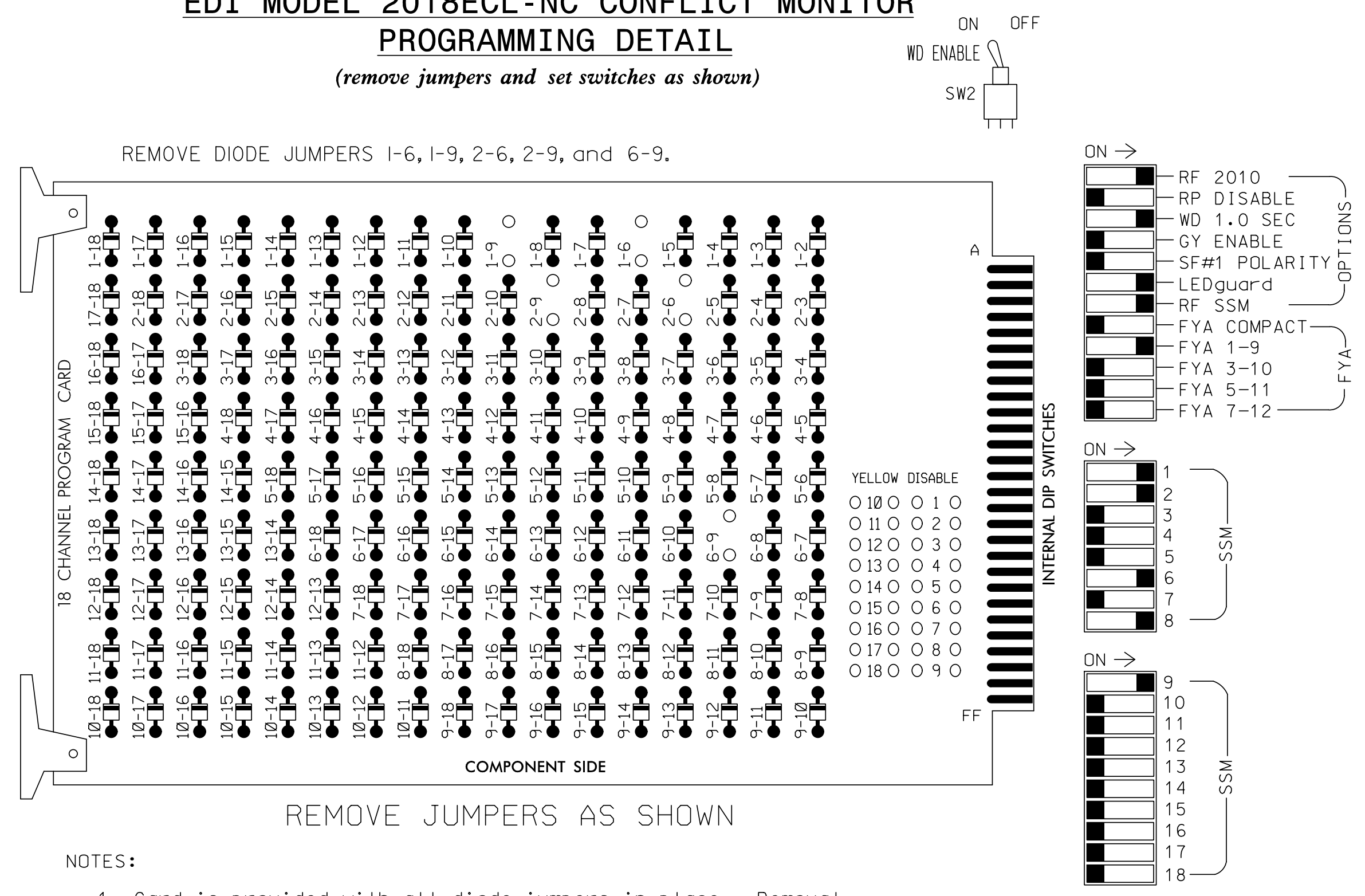


### EDI MODEL 2018ECL-NC CONFLICT MONITOR PROGRAMMING DETAIL

(remove jumpers and set switches as shown)



**NOTES:**

- Card is provided with all diode jumpers in place. Removal of any jumper allows its channels to run concurrently.
- Ensure jumpers SEL2-SEL5 and SEL9 are present on the monitor board.
- Ensure that Red Enable is active at all times during normal operation.
- Connect serial cable from conflict monitor to comm. port 1 of 2070 controller. Ensure conflict monitor communicates with 2070.

### NOTES

- To prevent "flash-conflict" problems, insert red flash program blocks for all unused vehicle load switches in the output file. The installer shall verify that signal heads flash in accordance with the Signal Plans.
- Enable Simultaneous Gap-Out for all Phases.
- Program phases 2 and 6 for Startup In Green.
- Program phases 2 and 6 for Yellow Flash, and overlap 1 as Wag Overlap.

### EQUIPMENT INFORMATION

CONTROLLER.....2070  
 CABINET.....332 w/ AUX  
 SOFTWARE.....ECONOLITE OASIS  
 CABINET MOUNT.....BASE  
 OUTPUT FILE POSITIONS...18 WITH AUX. OUTPUT FILE  
 LOAD SWITCHES USED.....S1,S2,S8,S11,AUX S1  
 PHASES USED.....1,2,6,8  
 OVERLAP 'A'.....1+2  
 OVERLAP 'B'.....NOT USED  
 OVERLAP 'C'.....NOT USED  
 OVERLAP 'D'.....NOT USED

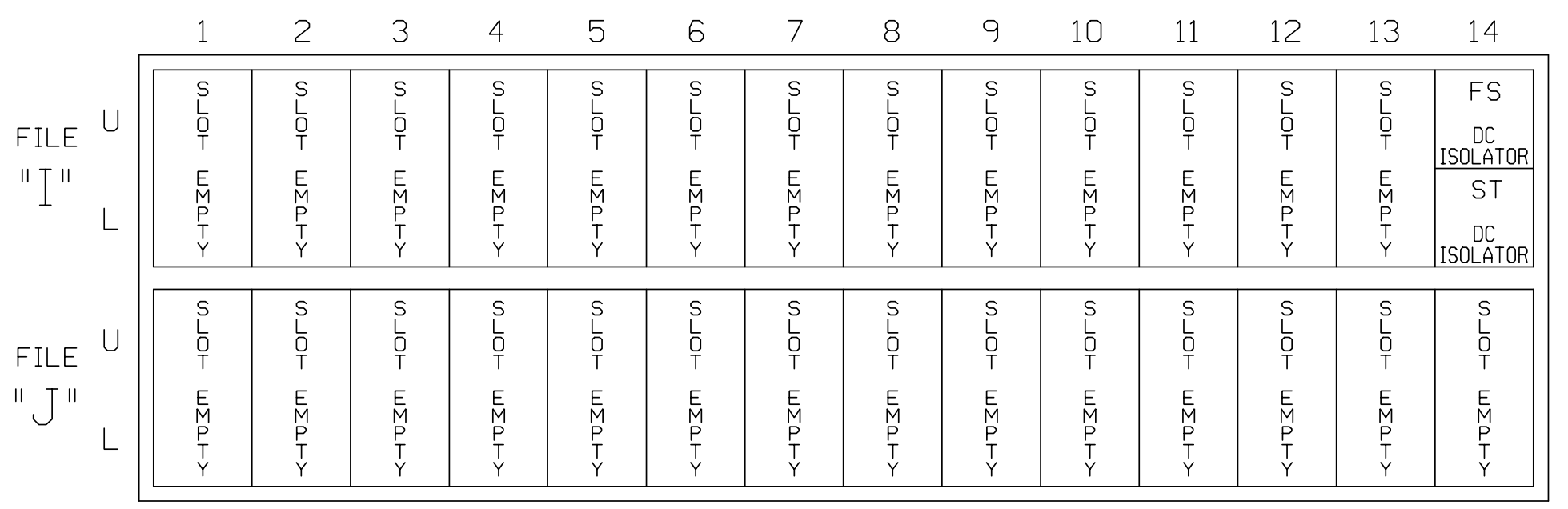
### SIGNAL HEAD HOOK-UP CHART

LOAD SWITCH NO.	S1	S2	S3	S4	S5	S6	S7	S8	S9	S10	S11	S12	AUX S1	AUX S2	AUX S3	AUX S4	AUX S5	AUX S6
CMU CHANNEL NO.	1	2	13	3	4	14	5	6	15	7	8	16	9	10	17	11	12	18
PHASE	1	2	2 PED	3	4	4 PED	5	6	6 PED	7	8	8 PED	OLA	OLB	SPARE	OLC	OLD	SPARE
SIGNAL HEAD NO.	11	82	21,22	NU	NU	NU	NU	61,62	NU	NU	81,82	NU	11	NU	NU	NU	NU	NU
RED	*	128						134			107							
YELLOW		129						135			108							
GREEN		130						136			109							
RED ARROW													A121					
YELLOW ARROW	126												A122					
FLASHING YELLOW ARROW													A123					
GREEN ARROW	127	127																

NU = Not Used  
 \* Denotes install load resistor. See load resistor installation detail this sheet.  
 ★ See pictorial of head wiring in detail this sheet.

### INPUT FILE POSITION LAYOUT

(front view)



EX.: 1A, 2A, ETC. = LOOP NO.'S

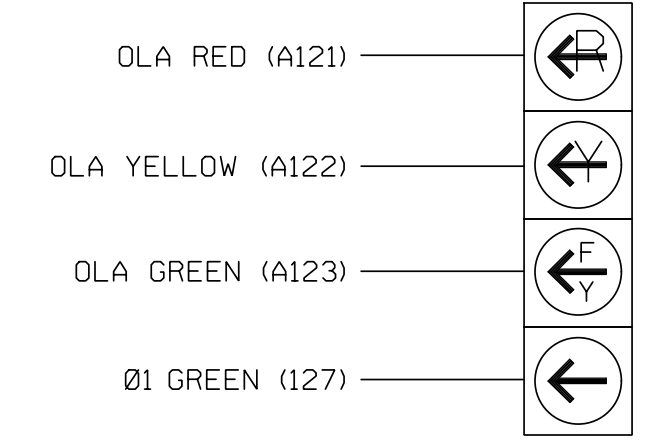
FS = FLASH SENSE  
 ST = STOP TIME

### SPECIAL DETECTOR NOTE

Install a video detection system for vehicle detection. Perform installation according to manufacturer's directions and NCDOT engineer-approved mounting locations to accomplish the detection schemes shown on the Signal Design Plans.

### FYA SIGNAL WIRING DETAIL

(wire signal heads as shown)

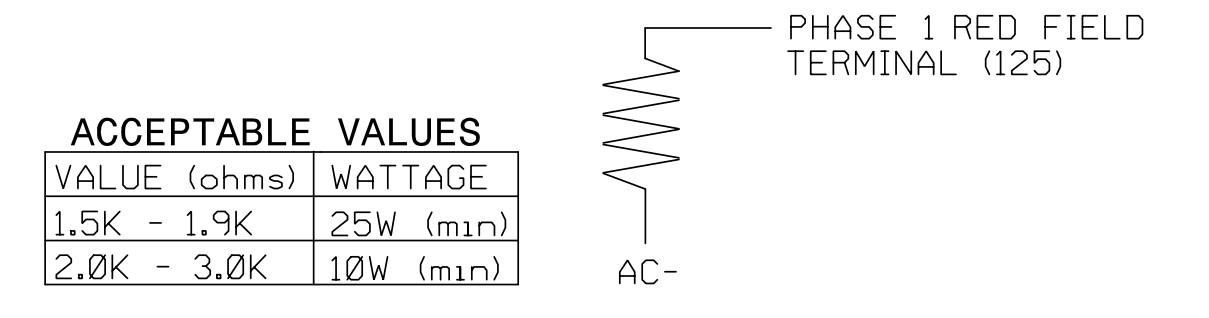


**NOTE**

The sequence display for signal head 11 requires special logic programming. See sheet 2 for programming instructions.

### LOAD RESISTOR INSTALLATION DETAIL

(install resistors as shown)



THIS ELECTRICAL DETAIL IS FOR THE SIGNAL DESIGN: 14-1021T  
 DESIGNED: JUNE 2019  
 SEALED: 11-19-2019  
 REVISED: N/A



Electrical Detail - Temporary Design - Sheet 1 of 2

NC 225 (Greenville Highway) at SR 1783 (N. Highland Lake Road)

Division 14 Henderson County East Flat Rock

PLAN DATE: June 2019 REVIEWED BY: R. Dubnicka  
 PREPARED BY: J. Trueblood REVIEWED BY: J. Carroll

REVISIONS INIT. DATE

SEAL NORTH CAROLINA PROFESSIONAL ENGINEER JUSTIN T. CARROLL SEAL 030005

11/19/2019

SIG. INVENTORY NO. 14-1021T

11/18/2019 11:51:00 AM C:\Users\jcarroll\OneDrive\Documents\14-1021T\14-1021T.dgn