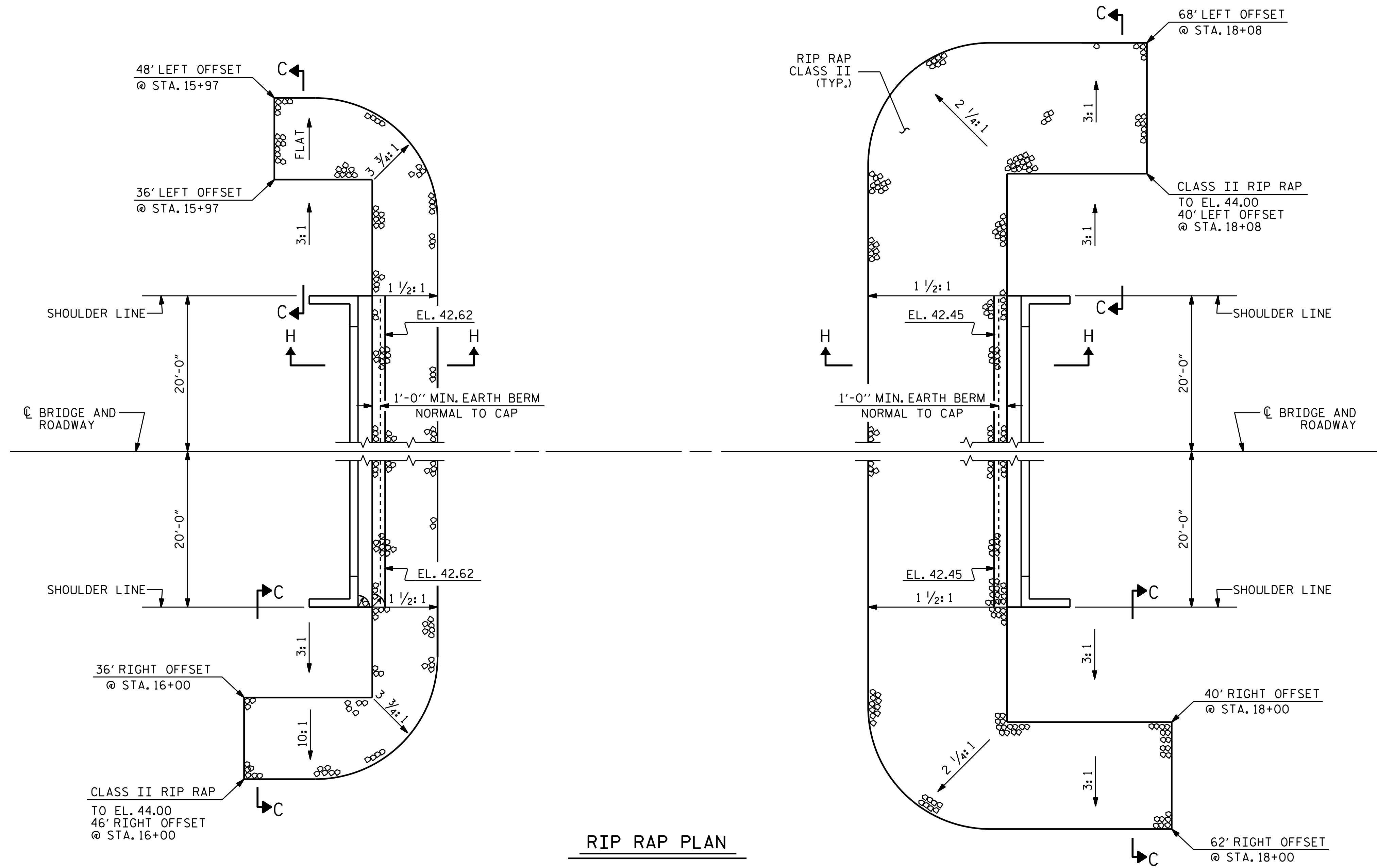
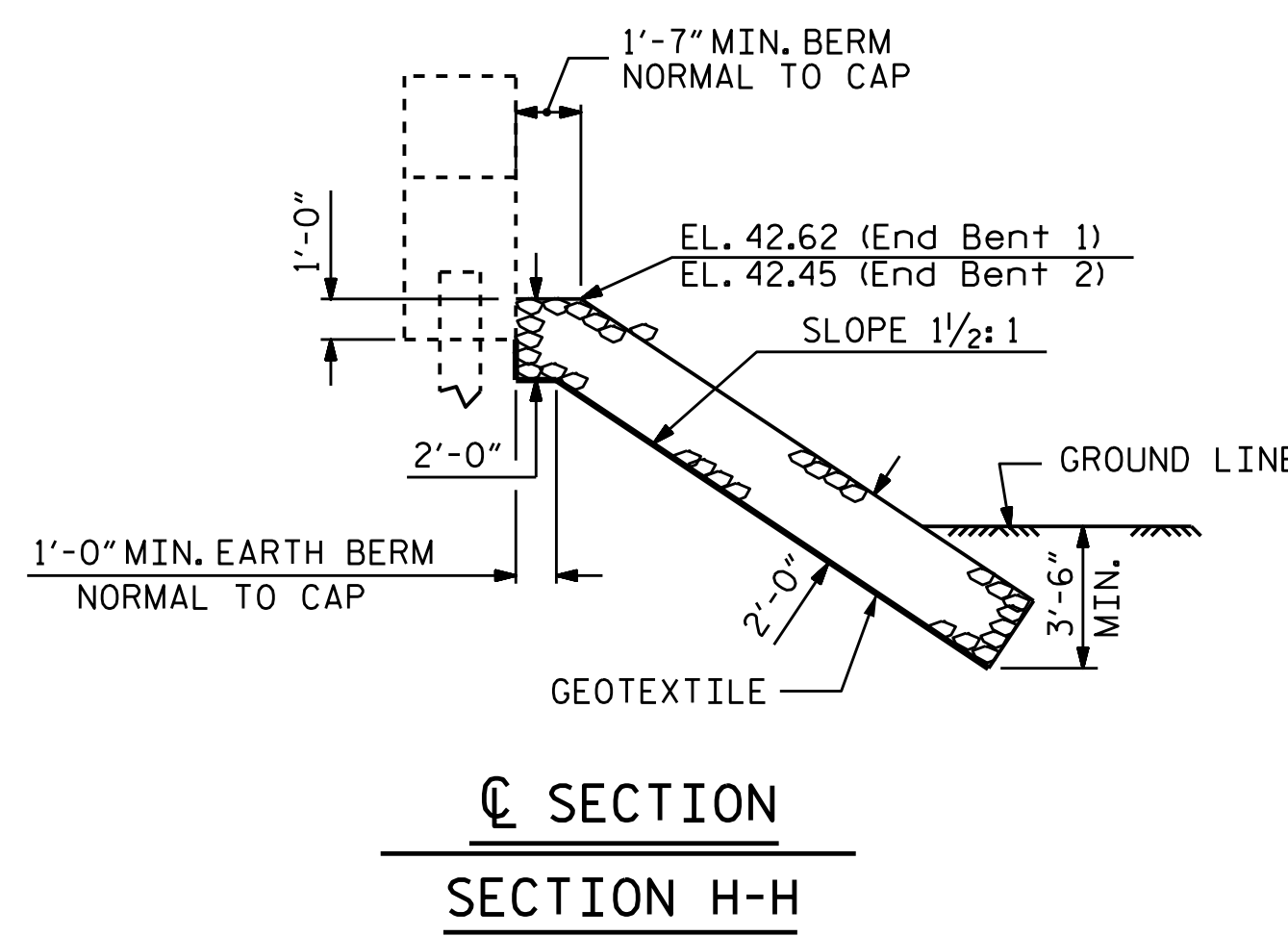


NOTES :
FOR BERM WIDTH DIMENSIONS, SEE GENERAL DRAWING.

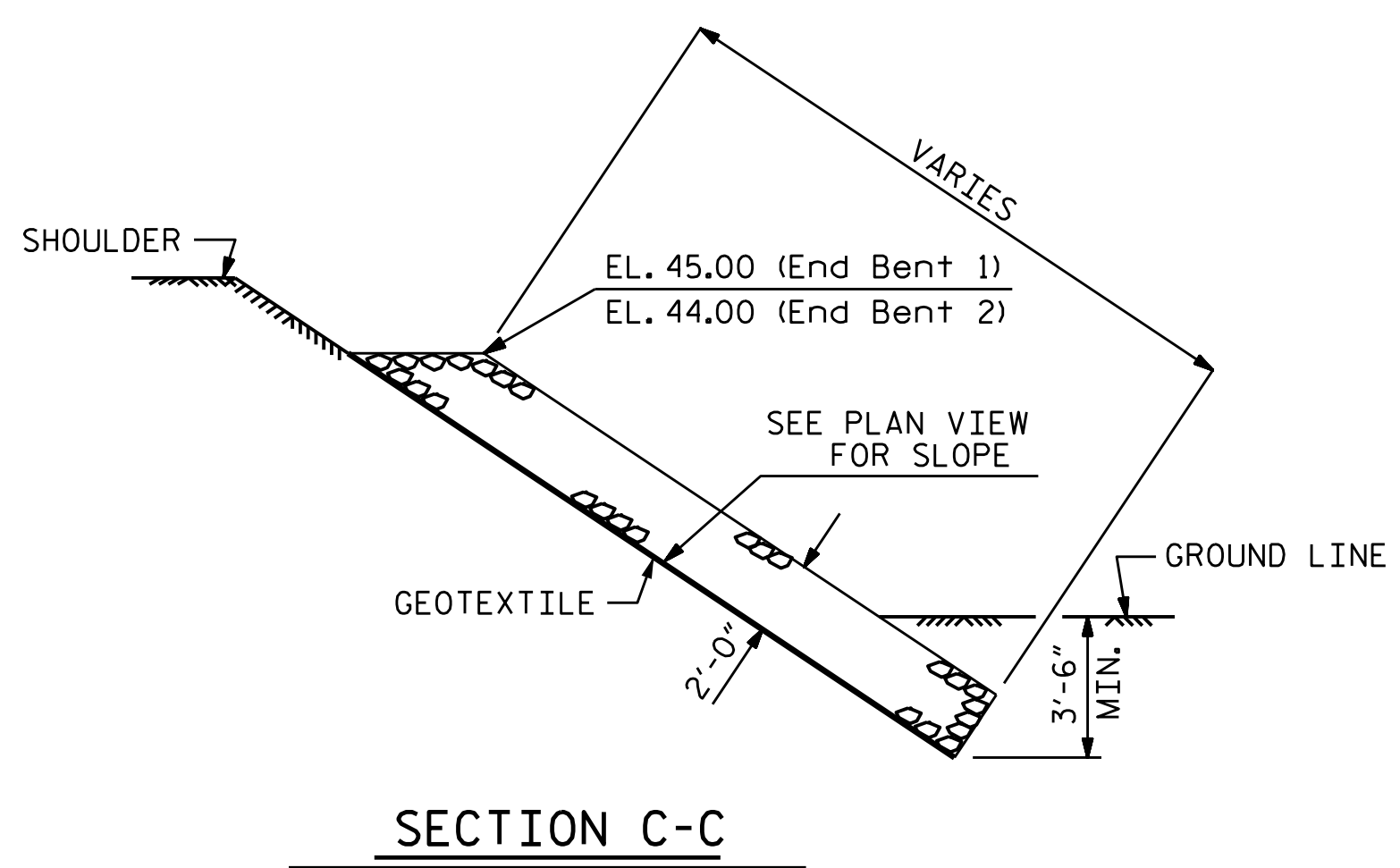


| ESTIMATED QUANTITIES | | |
|-------------------------------|--------------------------------------|----------------------------|
| BRIDGE @ STA. 16+99.00 -L- | RIP RAP CLASS II (2'-0" THICK) | GEOTEXTILE FOR DRAINAGE |
| | TONS | SQUARE YARDS |
| END BENT 1 | 118 | 131 |
| END BENT 2 | 413 | 458 |

RIP RAP PLAN



SECTION H-H



SECTION C-C

PROJECT NO. B-4931
EDGECOMBE COUNTY
STATION: 16+99.00 -L-



STATE OF NORTH CAROLINA
DEPARTMENT OF TRANSPORTATION
RALEIGH

RIP RAP DETAILS

| REVISIONS | | | | | | SHEET NO. |
|-----------|-----|-------|-----|-----|-------|--------------|
| NO. | BY: | DATE: | NO. | BY: | DATE: | S-28 |
| 1 | | | 3 | | | TOTAL SHEETS |
| 2 | | | 4 | | | 30 |

ASSEMBLED BY : S. WANCE DATE : 12/2019
CHECKED BY : A. Y. GODFREY DATE : 01/2020
DRAWN BY : REK 1/84 REV. 10/1/11 MAA/GM
CHECKED BY : RDU 1/84 REV. 12/21/11 MAA/GM
REV. 12/17 MAA/THC

DOCUMENT NOT CONSIDERED
FINAL UNLESS ALL
SIGNATURES COMPLETED