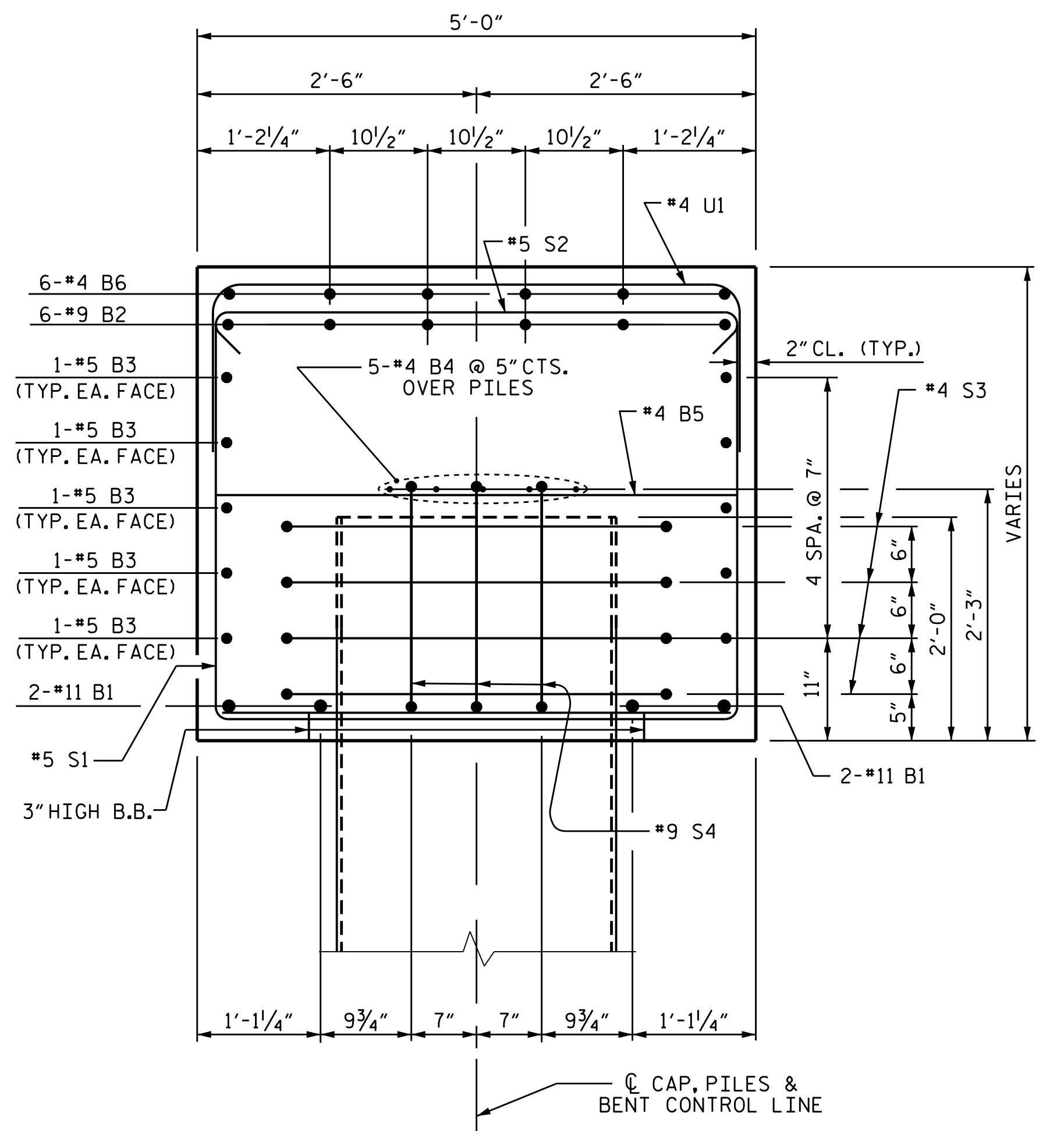
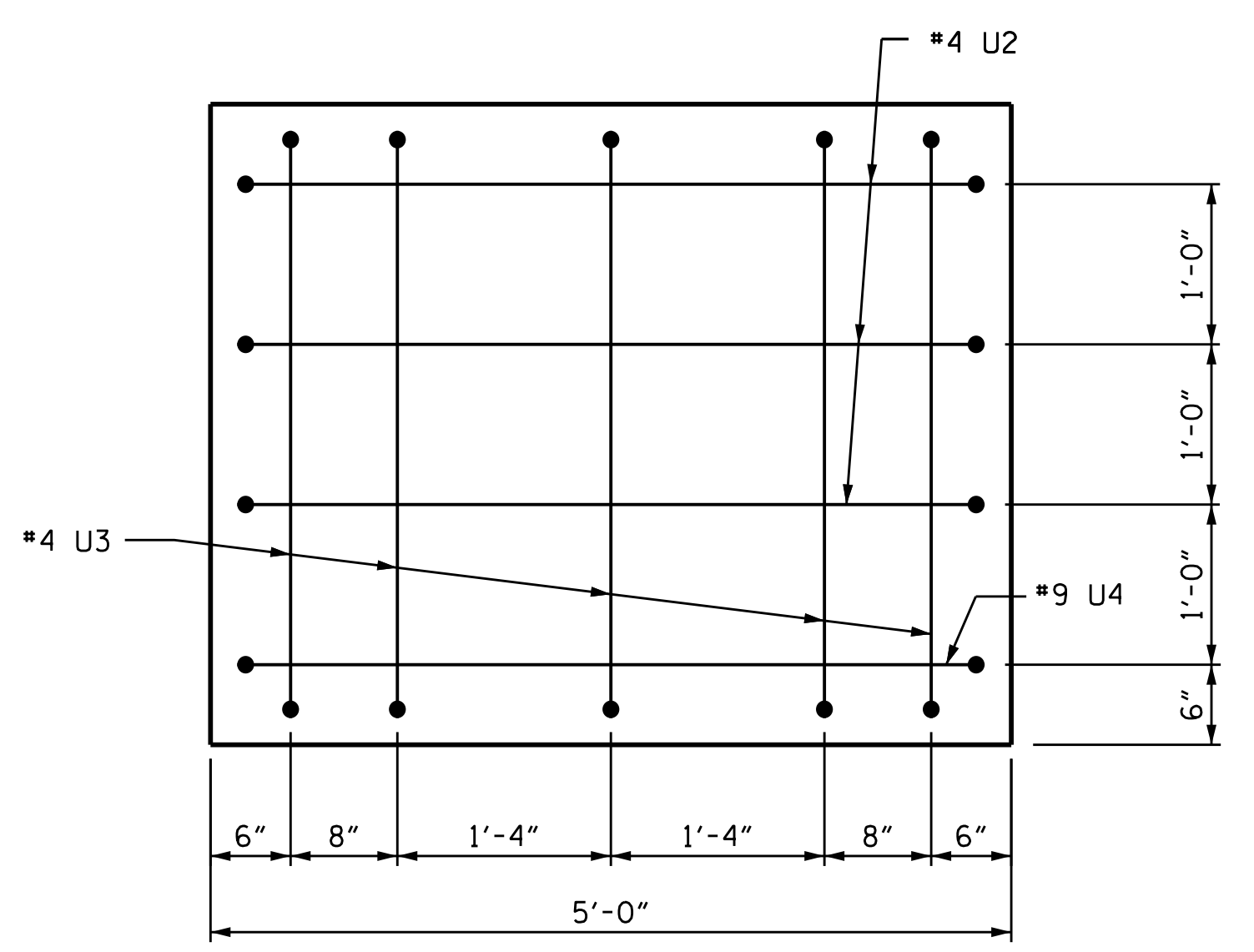


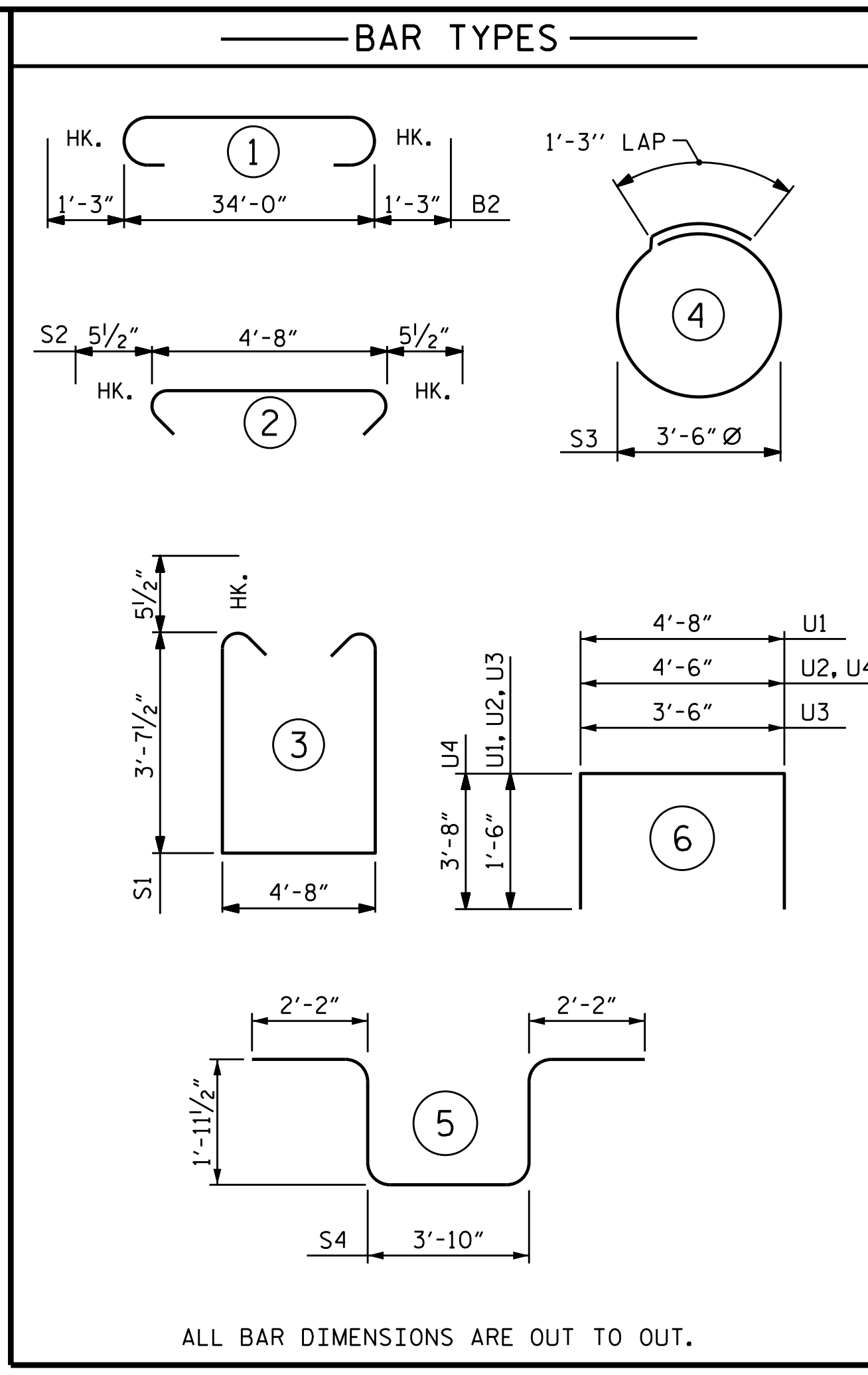
SECTION A-A



SECTION B-B



END OF CAP VIEW  
(TYPICAL BOTH ENDS)



ALL BAR DIMENSIONS ARE OUT TO OUT.

BILL OF MATERIAL FOR BENT 1					
BAR	NO.	SIZE	TYPE	LENGTH	WEIGHT
B1	4	#11	STR	34'-2"	726
B2	6	#9	1	36'-6"	745
B3	10	#5	STR	34'-2"	356
B4	5	#4	STR	34'-2"	114
B5	9	#4	STR	4'-8"	28
B6	6	#4	STR	14'-2"	57
S1	30	#5	3	12'-10"	402
S2	30	#5	2	5'-7"	175
S3	20	#4	4	12'-3"	164
S4	12	#9	5	12'-3"	500
U1	33	#4	6	7'-8"	169
U2	6	#4	6	7'-6"	30
U3	10	#4	6	6'-6"	43
U4	2	#9	6	11'-10"	80

REINFORCING STEEL \_\_\_\_\_ 3589 LBS

CLASS A CONCRETE

TOTAL CLASS A CONCRETE \_\_\_\_\_ ▲ 24.5 C.Y.

30" STEEL PIPE PILES

No. 5 \_\_\_\_\_ LIN. FT. 575

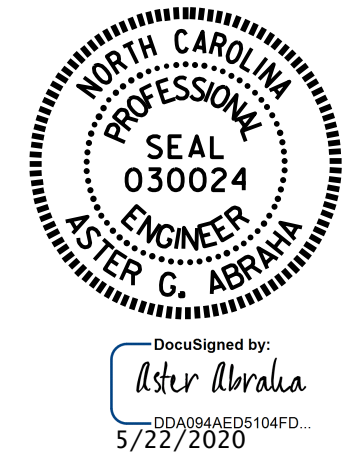
PILE REDRIVES \_\_\_\_\_ EA. 3

▲ CONCRETE DISPLACED BY THE 30" STEEL PIPE PILES HAS BEEN DEDUCTED FROM THE CONCRETE QUANTITY.

DRAWN BY : M.M. AHMED DATE : JAN 2020  
 CHECKED BY : S. WANCE DATE : JAN 2020  
 DESIGN ENGINEER OF RECORD: M.M. AHMED DATE : -

22-MAY-2020 10:07  
 R:\Structures\Plans\B4931.SMU.B\*.320022.dgn  
 oabr.aha

DOCUMENT NOT CONSIDERED  
 FINAL UNLESS ALL  
 SIGNATURES COMPLETED



PROJECT NO. B-4931  
 EDGEcombe COUNTY  
 STATION: 16+99.00 -L-

SHEET 2 OF 3

STATE OF NORTH CAROLINA  
 DEPARTMENT OF TRANSPORTATION  
 RALEIGH

SUBSTRUCTURE  
 BENT 1

REVISIONS						SHEET NO.
NO.	BY:	DATE:	NO.	BY:	DATE:	S-23
1			3			TOTAL SHEETS
2			4			30