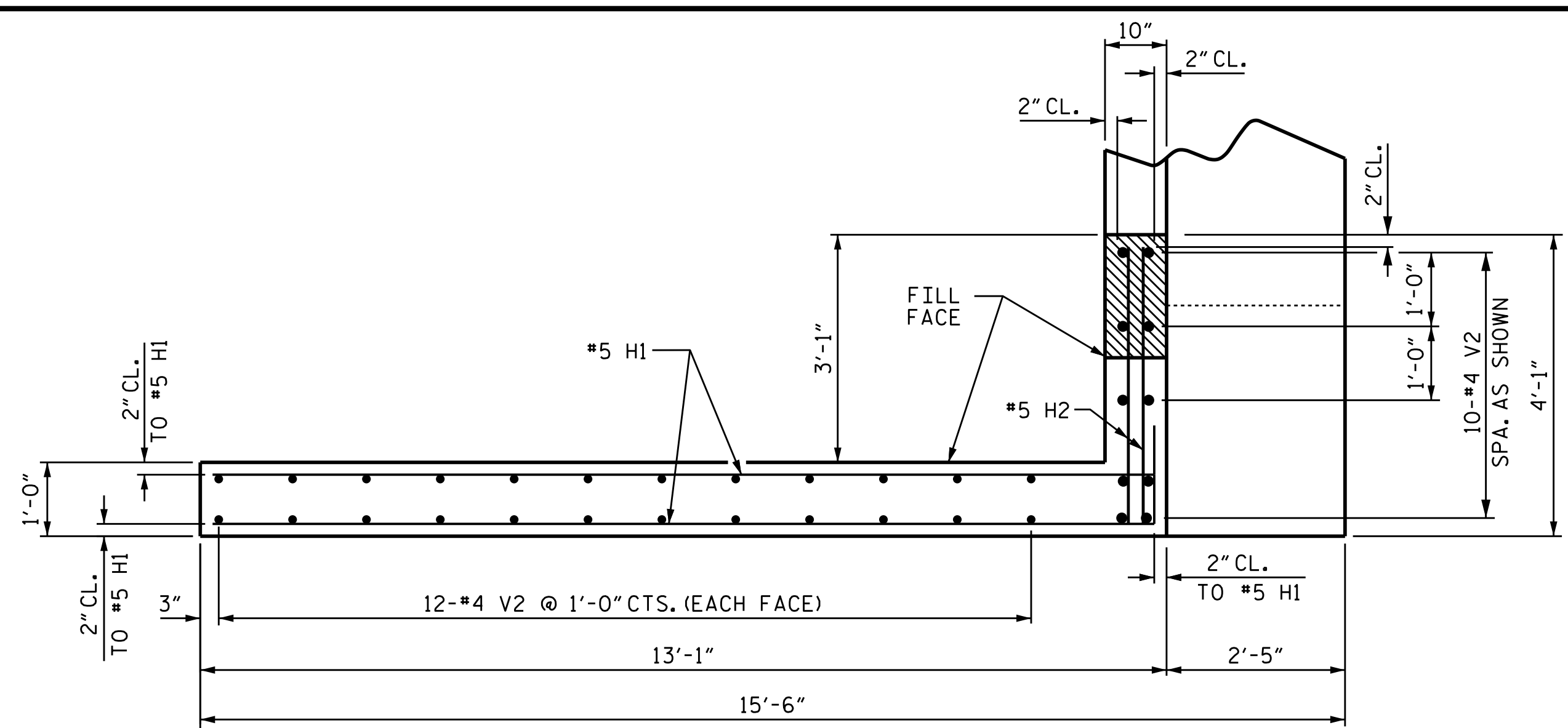
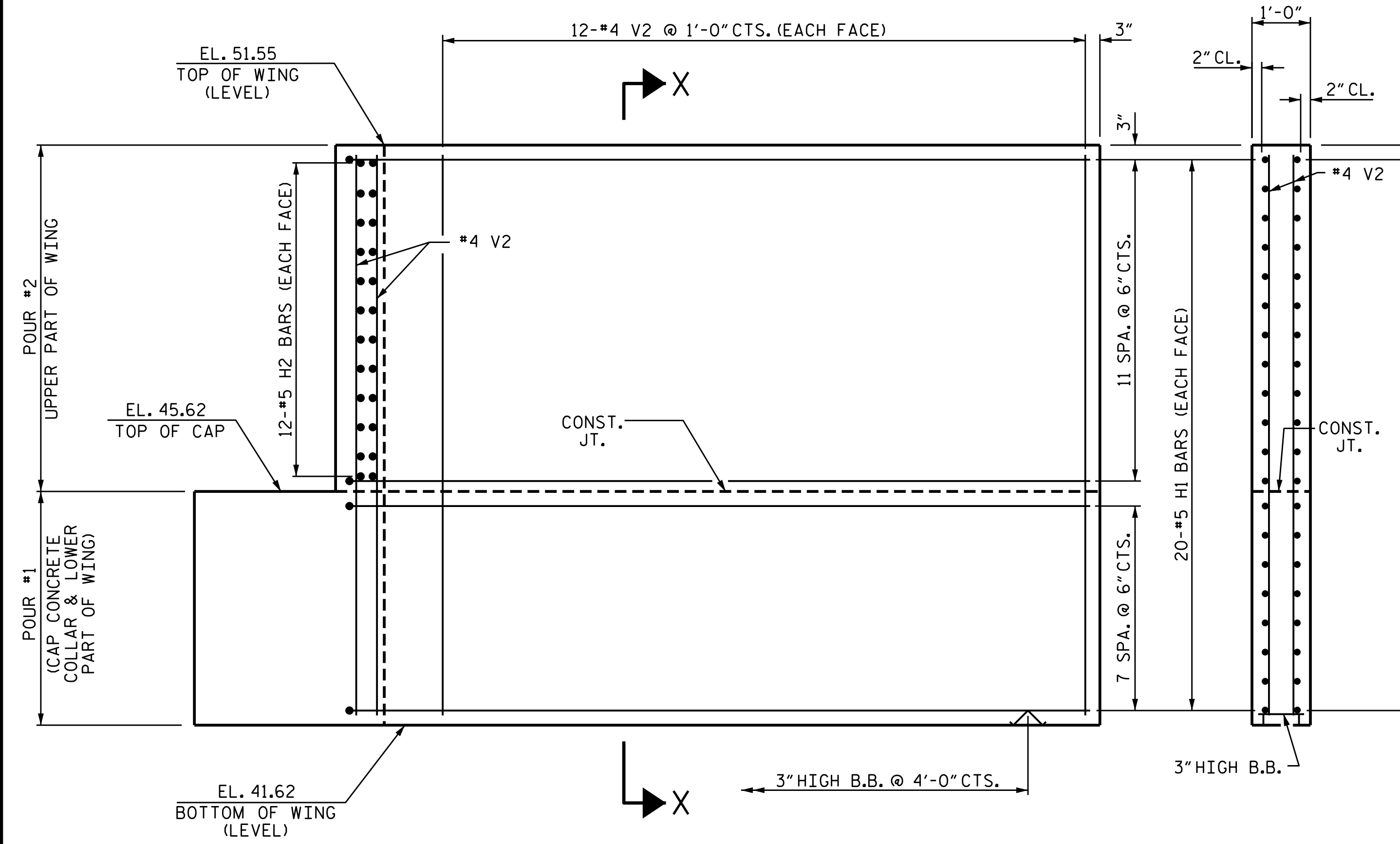


PLAN OF WING W1

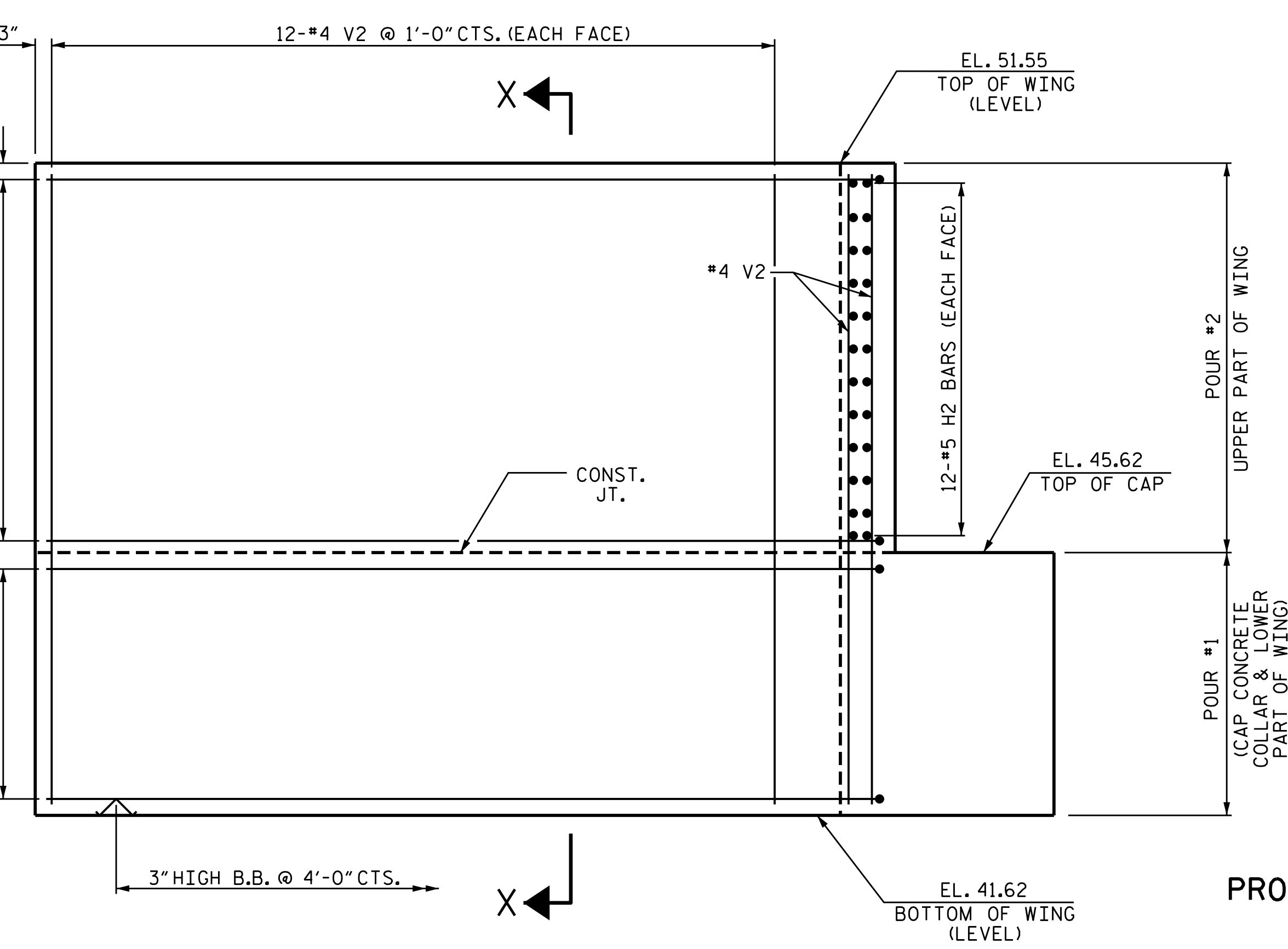


PLAN OF WING W2



ELEVATION OF WING W1

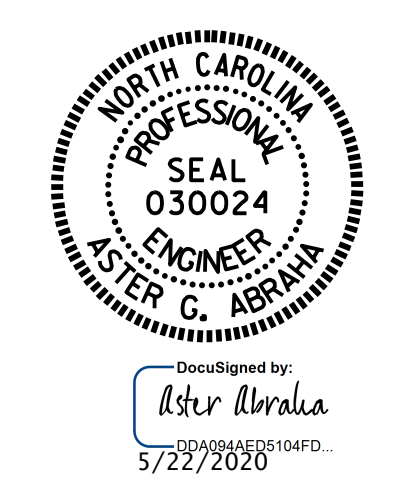
SECTION X-X



ELEVATION OF WING W2

PROJECT NO. B-4931  
 EDGEcombe COUNTY  
 STATION: 16+99.00 -L-

SHEET 2 OF 3



STATE OF NORTH CAROLINA  
 DEPARTMENT OF TRANSPORTATION  
 RALEIGH  
 SUBSTRUCTURE  
 INTEGRAL  
 END BENT 1

DRAWN BY: M.M. AHMED DATE: 12/12/19  
 CHECKED BY: S. WANCE DATE: 01/20  
 DESIGN ENGINEER OF RECORD: M.M. AHMED DATE: 09/19

DOCUMENT NOT CONSIDERED  
 FINAL UNLESS ALL  
 SIGNATURES COMPLETED

REVISIONS						SHEET NO.
NO.	BY:	DATE:	NO.	BY:	DATE:	S-20
1			3			TOTAL SHEETS
2			4			30