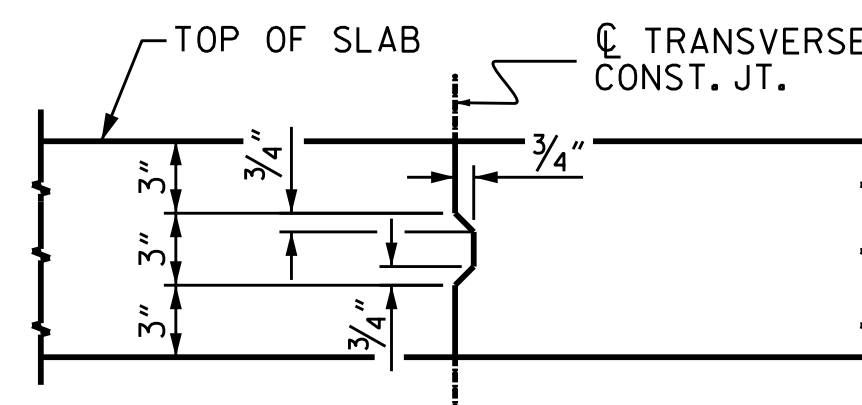


POURING SEQUENCE



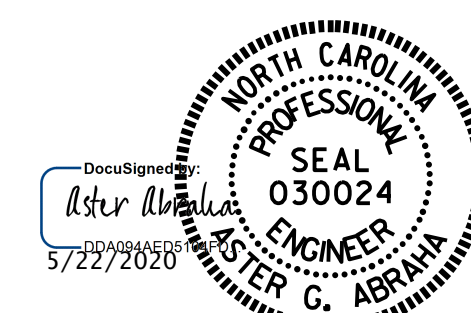
TRANSVERSE CONSTRUCITON JOINT DETAIL

NOTE: REINFORCING STEEL IN SLAB NOT SHOWN. LONGITUDINAL REINFORCING STEEL SHALL BE CONTINUOUS THROUGH JOINT.

PROJECT NO. B-4931  
EDGEcombe COUNTY  
 STATION: 16+99.00 -L-

STATE OF NORTH CAROLINA  
 DEPARTMENT OF TRANSPORTATION  
 RALEIGH

POUR SEQUENCE



DRAWN BY : A. Y. GODFREY DATE : 04/2020  
 CHECKED BY : S. WANCE DATE : 04/2020  
 DESIGN ENGINEER OF RECORD: M. M. AHMED DATE : 11/2019

DOCUMENT NOT CONSIDERED  
 FINAL UNLESS ALL  
 SIGNATURES COMPLETED

REVISIONS						SHEET NO.
NO.	BY:	DATE:	NO.	BY:	DATE:	S-15
1			3			TOTAL SHEETS
2			4			30