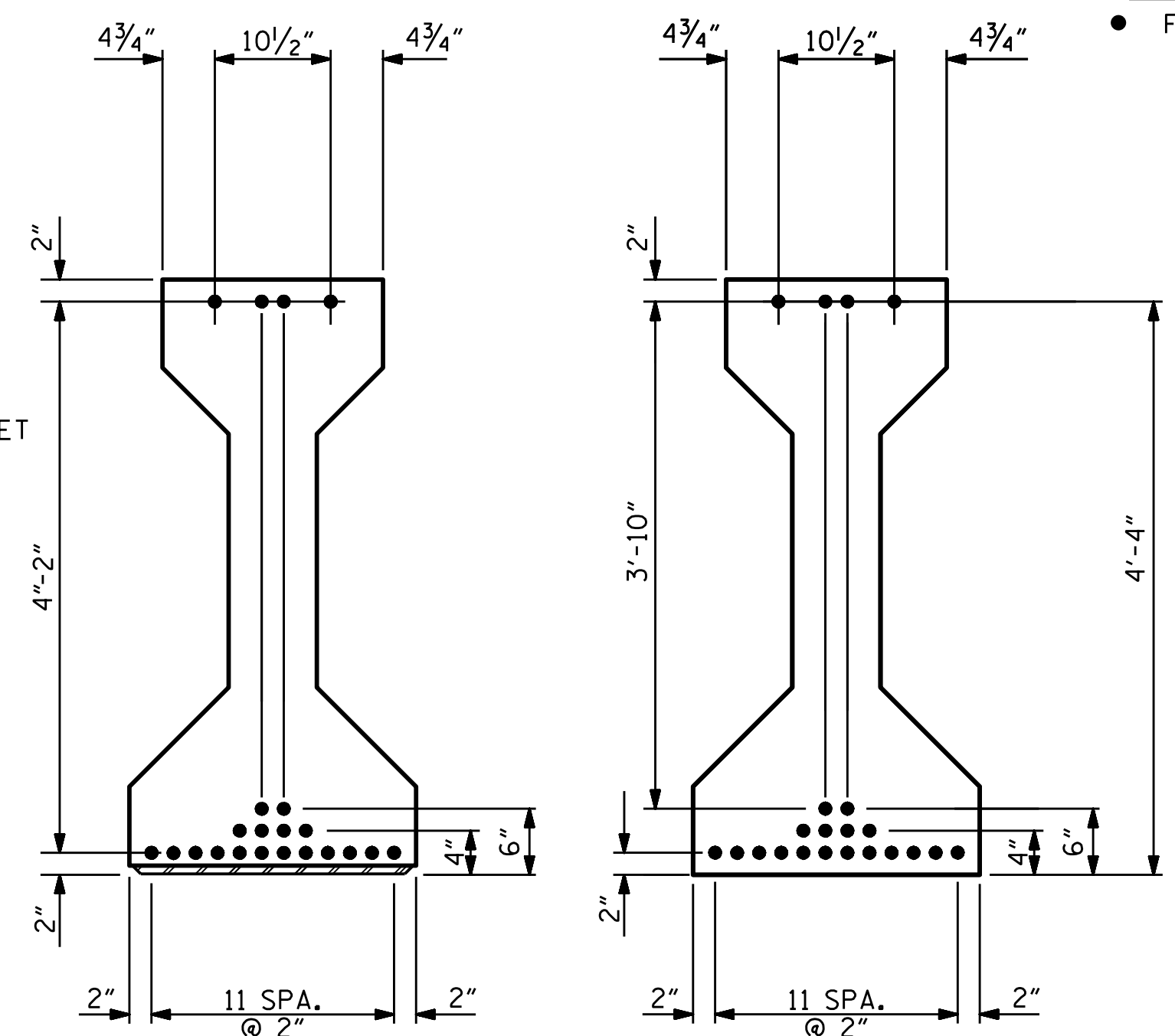
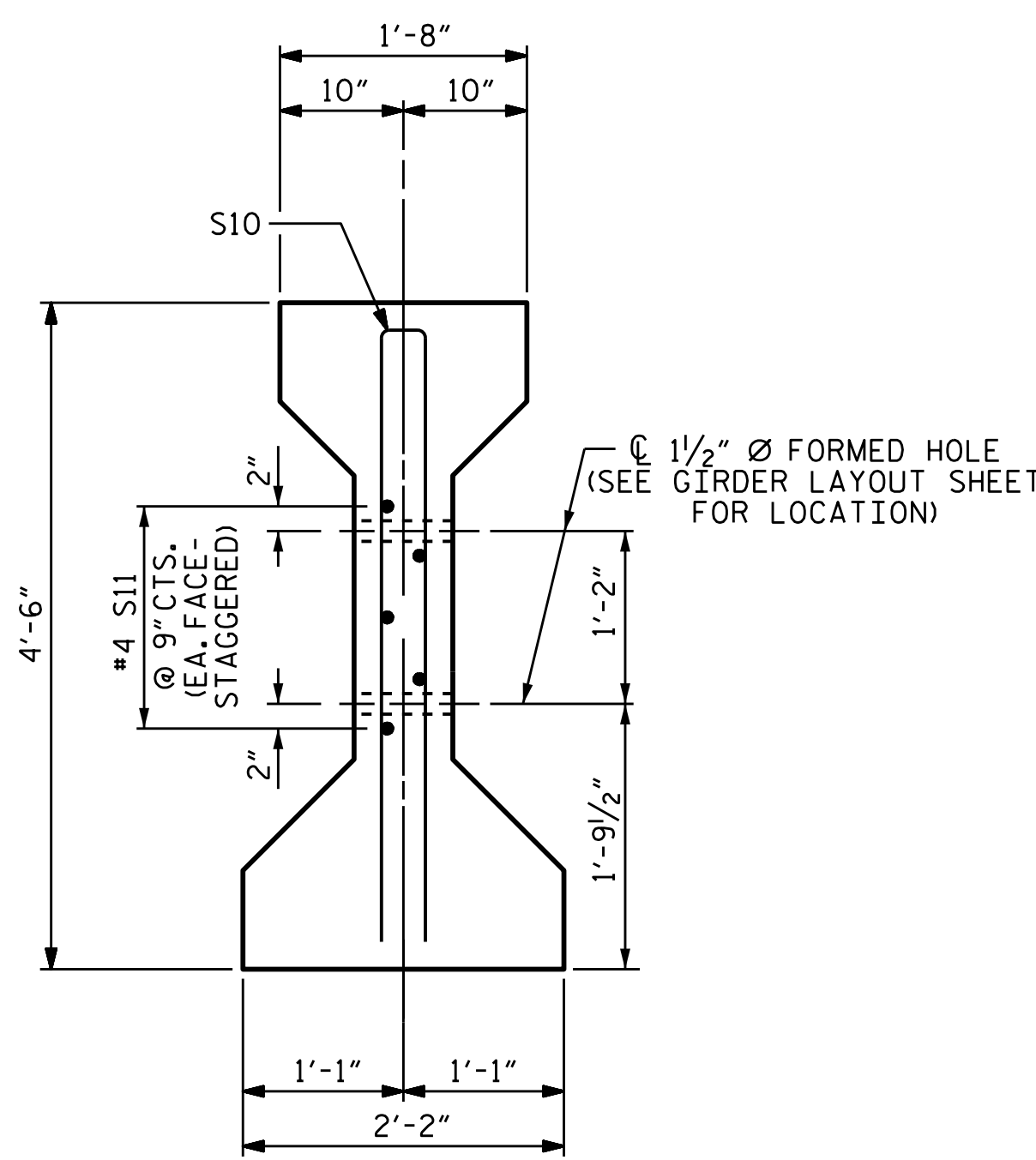
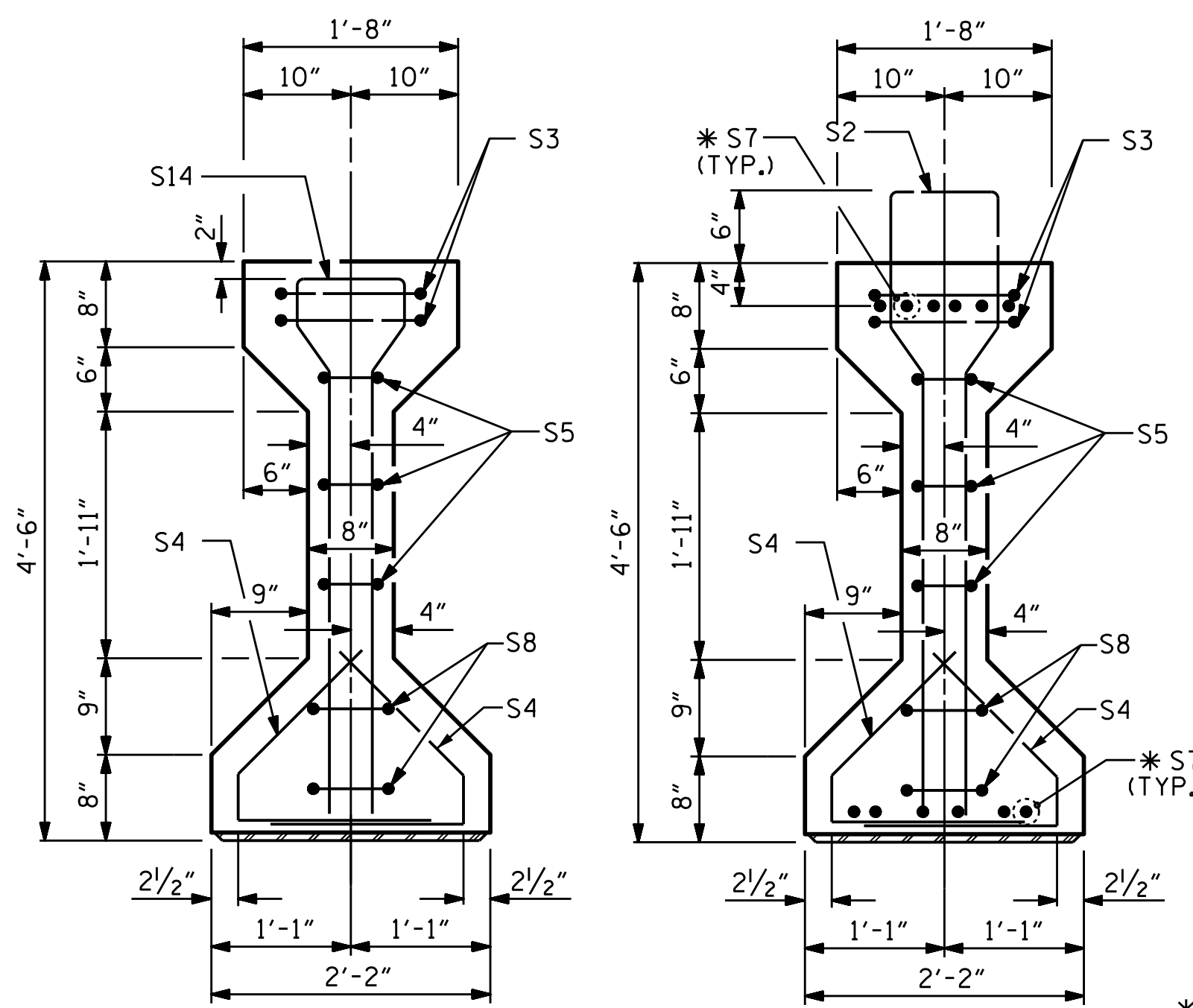


DEVELOPING LEGEND
 • FULLY BONDED STRANDS



* FOR S7 BARS, SEE
 DETAIL 'A' OF
 PRESTRESSED
 CONCRETE GIRDER
 CONTINUOUS FOR LIVE
 LOAD DETAILS
 AND DEFLECTIONS
 SHEET

AREA (SQUARE INCHES)	ULTIMATE STRENGTH (LBS. PER STRAND)	APPLIED PRESTRESS (LBS. PER STRAND)
0.217	58,600	43,950

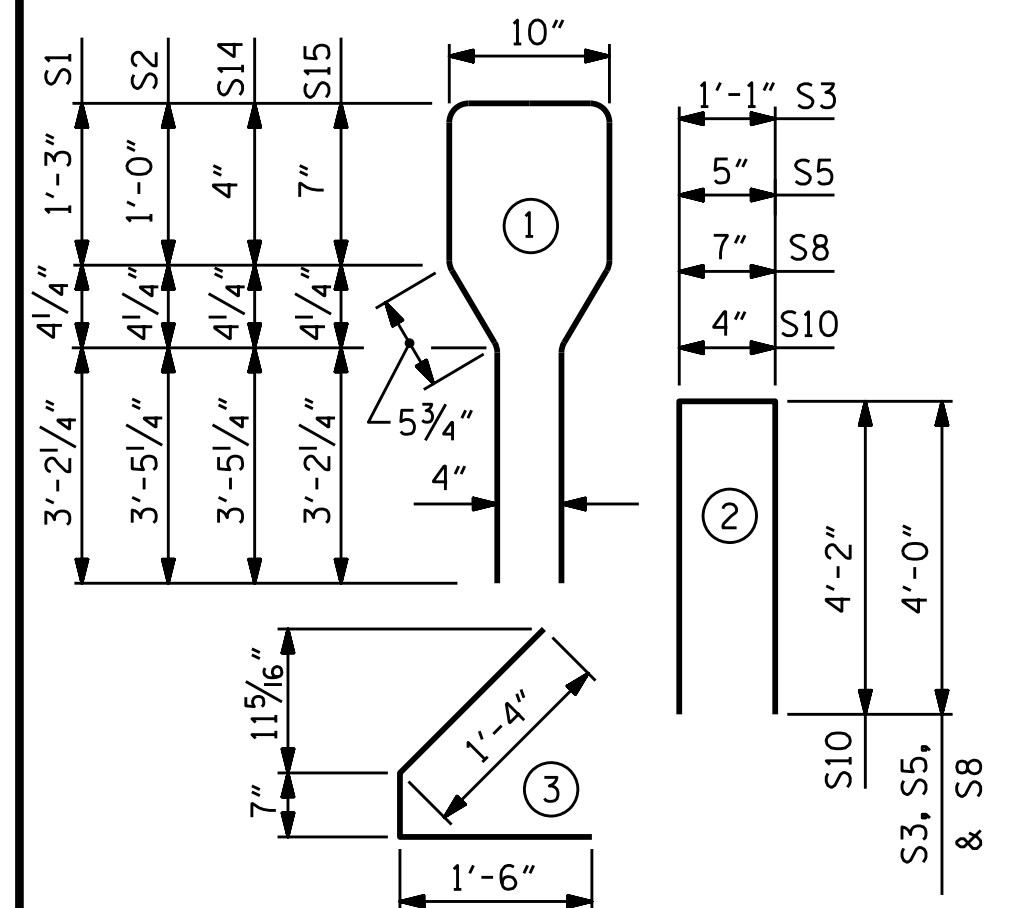
REINFORCING STEEL FOR ONE GIRDER

BAR	NUMBER	SIZE	TYPE	LENGTH	WEIGHT
S1	97	#4	1	10'-8"	691
S2	6	#6	1	10'-8"	96
S3	4	#4	2	9'-1"	24
S4	64	#4	3	3'-5"	146
S5	6	#4	2	8'-5"	34
* S7	12	#5	STR	3'-8"	46
S8	4	#4	2	8'-7"	23
S9	1	#3	STR	1'-10"	1
S10	2	#5	2	8'-8"	18
S11	5	#4	STR	7'-0"	23
S13	1	#3	STR	1'-4"	1
S14	6	#6	1	9'-4"	84
S15	3	#4	1	9'-4"	19

* NOTE: S7 BARS SHALL BE BENT BEFORE SHIPMENT. HEAT BENDING SHALL NOT BE ALLOWED.

BAR TYPES

ALL BAR DIMENSIONS ARE OUT-TO-OUT

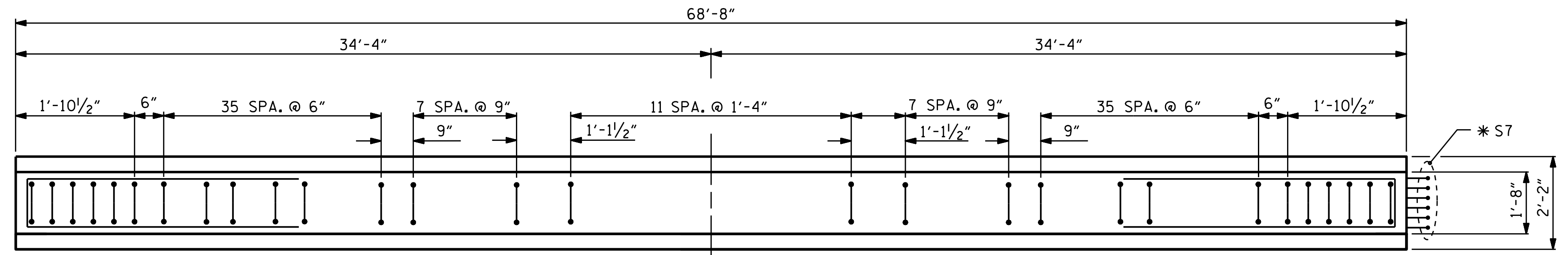


QUANTITIES FOR ONE GIRDER

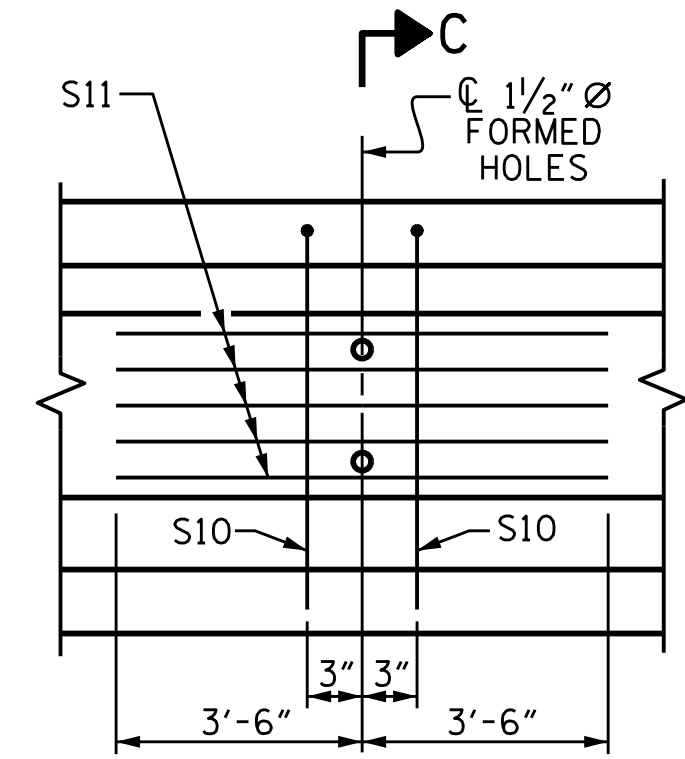
SPAN B	REINFORCING STEEL	7000 PSI CONCRETE	0.6" Ø L. R. STRANDS
	LB.	C.Y.	No.
SPAN B	1205	14.0	22

GIRDERS REQUIRED

NUMBER	LENGTH	TOTAL LENGTH
4	68'-8"	274'-8"

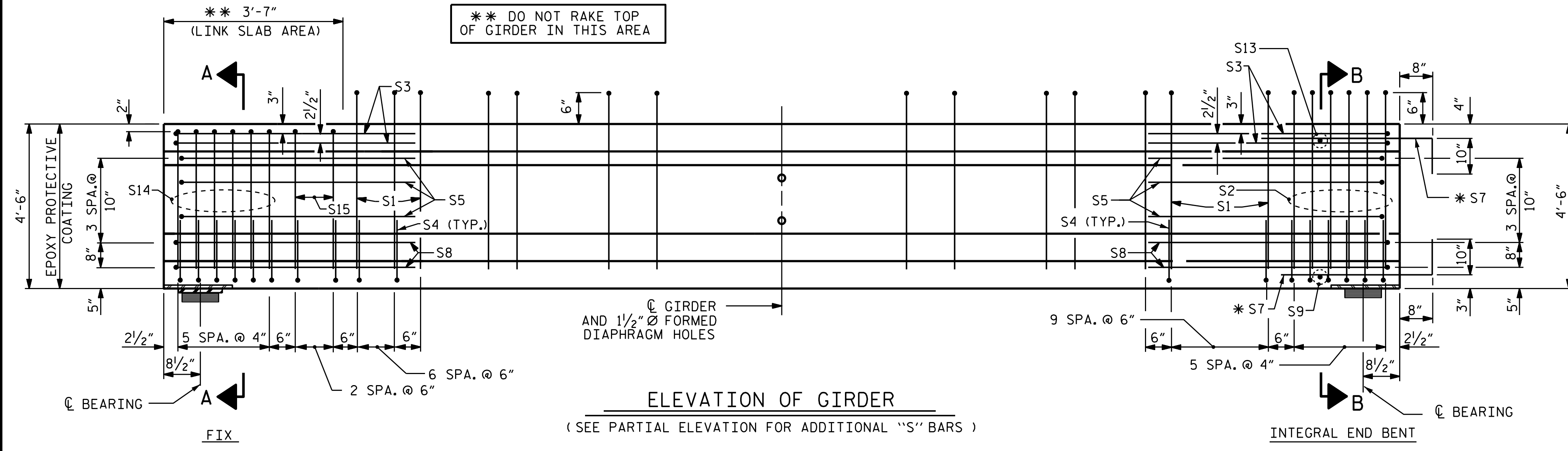


PLAN OF GIRDER



PARTIAL ELEVATION

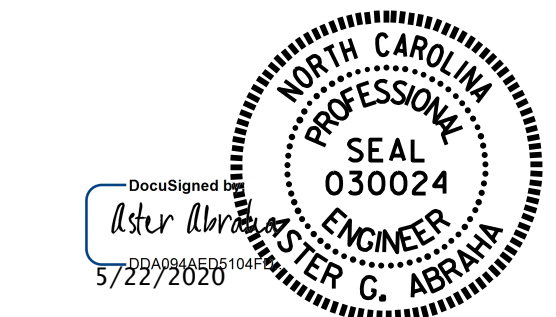
SHOWING INTERMEDIATE DIAPHRAGM REINFORCING STEEL FOR ALL GIRDERS



ELEVATION OF GIRDER

(SEE PARTIAL ELEVATION FOR ADDITIONAL "S" BARS)

ASSEMBLED BY : S. WANCE/A.Y.GODFREY DATE : 05/2020
 CHECKED BY : A.Y.GODFREY DATE : 05/2020
 DRAWN BY : ELR 8/91 REV. 10/1/11 MAA/GM
 CHECKED BY : GRP 8/91 REV. 1/15 MAA/TMC
 REV. 12/17 MAA/THC



DOCUMENT NOT CONSIDERED FINAL UNLESS ALL SIGNATURES COMPLETED

REVISIONS					SHEET NO.
NO.	BY:	DATE:	NO.	DATE:	S-11
1			3		TOTAL SHEETS
2			4		30