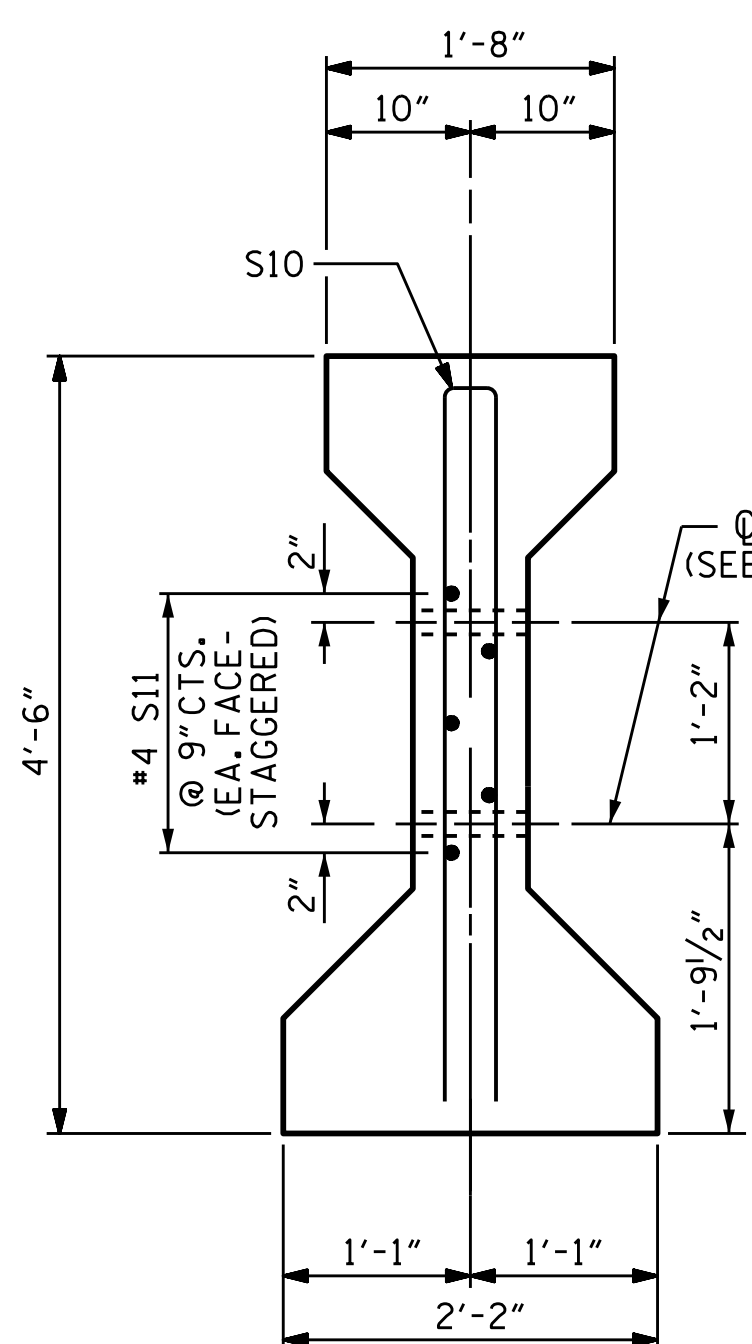


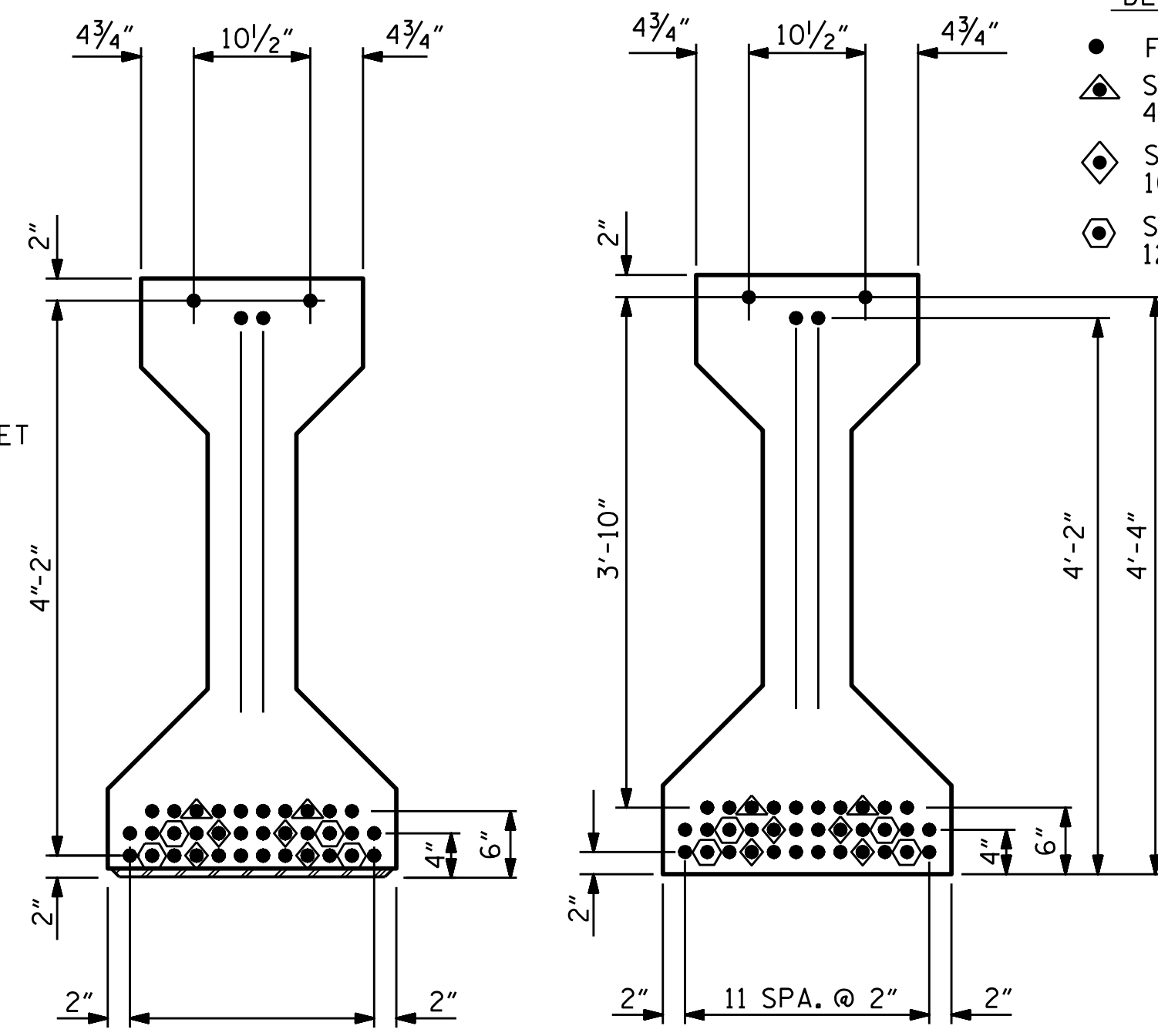
SECTION A-A

SECTION B-B

\* FOR S7 BARS, SEE  
DETAIL "A" OF  
PRESTRESSED  
CONCRETE GIRDER  
CONTINUOUS FOR LIVE  
LOAD DETAILS  
AND DEFLECTIONS  
SHEET



SECTION C-C  
(S1 BARS NOT SHOWN)



AT END OF GIRDER AT CL OF GIRDER  
0.6" Ø LOW RELAXATION STRAND LAYOUT  
(38 STRANDS REQUIRED, ALL STRAIGHT)

DEBONDING LEGEND

- FULLY BONDED STRANDS
- STRANDS DEBONDED FOR 4'-0" FROM END OF GIRDER
- STRANDS DEBONDED FOR 10'-0" FROM END OF GIRDER
- STRANDS DEBONDED FOR 12'-0" FROM END OF GIRDER

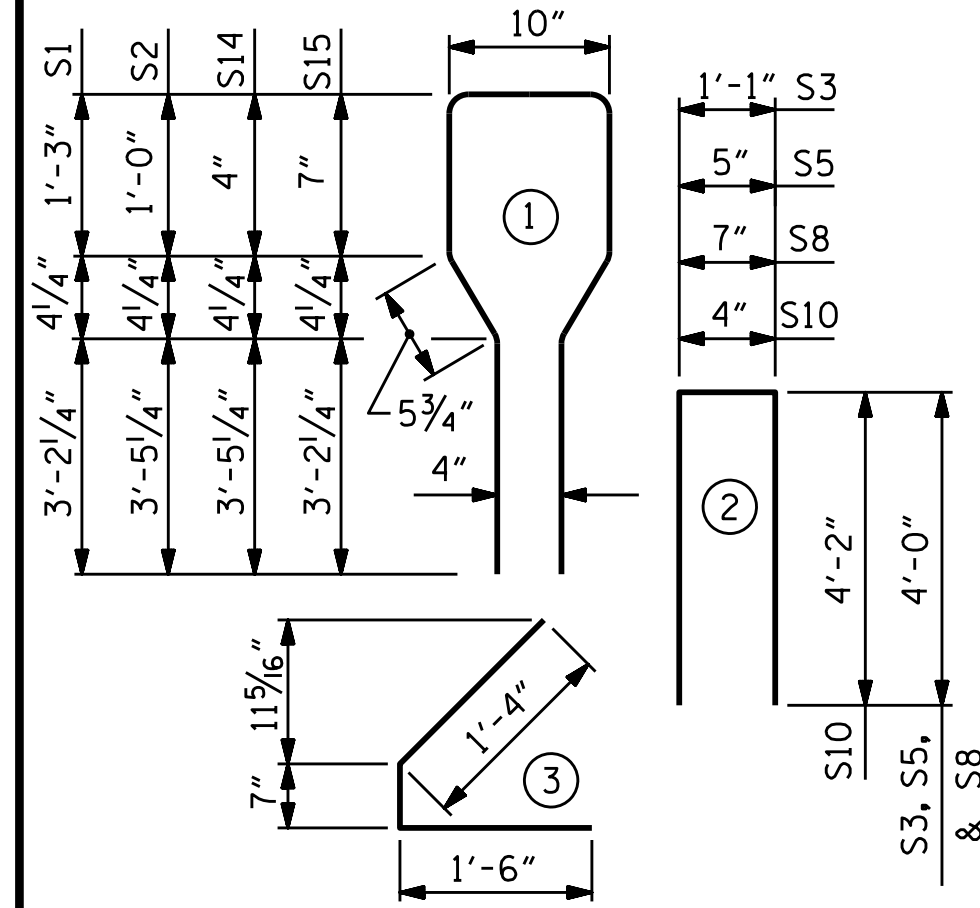
0.6" Ø L. R. GRADE 270 STRANDS		
AREA (SQUARE INCHES)	ULTIMATE STRENGTH (LBS. PER STRAND)	APPLIED PRESTRESS (LBS. PER STRAND)
0.217	58,600	43,950

REINFORCING STEEL FOR ONE GIRDER					
BAR	NUMBER	SIZE	TYPE	LENGTH	WEIGHT
S1	195	#4	1	10'-8"	1389
S2	6	#6	1	10'-8"	96
S3	4	#4	2	9'-1"	24
S4	84	#4	3	3'-5"	192
S5	6	#4	2	8'-5"	34
* S7	12	#5	STR	3'-8"	46
S8	4	#4	2	8'-7"	23
S9	1	#3	STR	1'-10"	1
S10	2	#5	2	8'-8"	18
S11	5	#4	STR	7'-0"	23
S13	1	#3	STR	1'-4"	1
S14	6	#6	1	9'-4"	84
S15	9	#4	1	9'-4"	56

\* NOTE: S7 BARS SHALL BE BENT BEFORE SHIPMENT. HEAT BENDING SHALL NOT BE ALLOWED.

BAR TYPES

ALL BAR DIMENSIONS ARE OUT-TO-OUT



QUANTITIES FOR ONE GIRDER

QUANTITIES FOR ONE GIRDER

SPAN A	REINFORCING STEEL	9000 PSI CONCRETE	0.6" Ø L. R. STRANDS
	LB.	C.Y.	No.
SPAN A	1986	20.1	38

GIRDERS REQUIRED

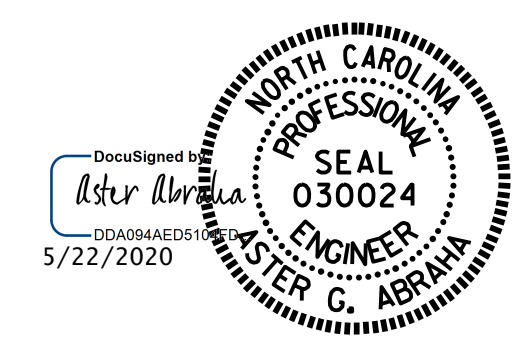
NUMBER	LENGTH	TOTAL LENGTH
4	98'-8"	394'-8"

PROJECT NO. B-4931  
EDGEcombe COUNTY  
STATION: 16+99.00 -L-

SHEET 1 OF 3

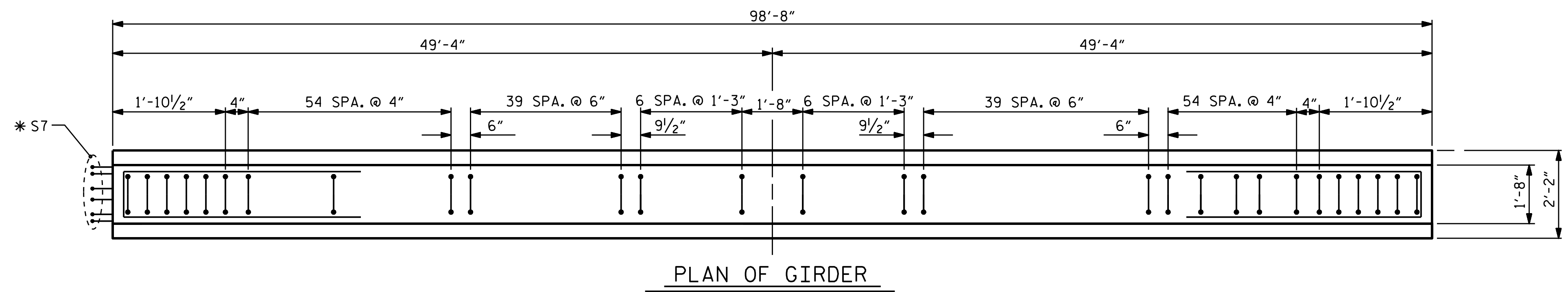
STATE OF NORTH CAROLINA  
DEPARTMENT OF TRANSPORTATION  
RALEIGH

AASHTO TYPE IV  
PRESTRESSED CONCRETE GIRDER  
CONTINUOUS FOR LIVE LOAD  
SPAN A



REVISIONS						SHEET NO.
NO.	BY:	DATE:	NO.	BY:	DATE:	
1			3			S-10
2			4			TOTAL SHEETS 30

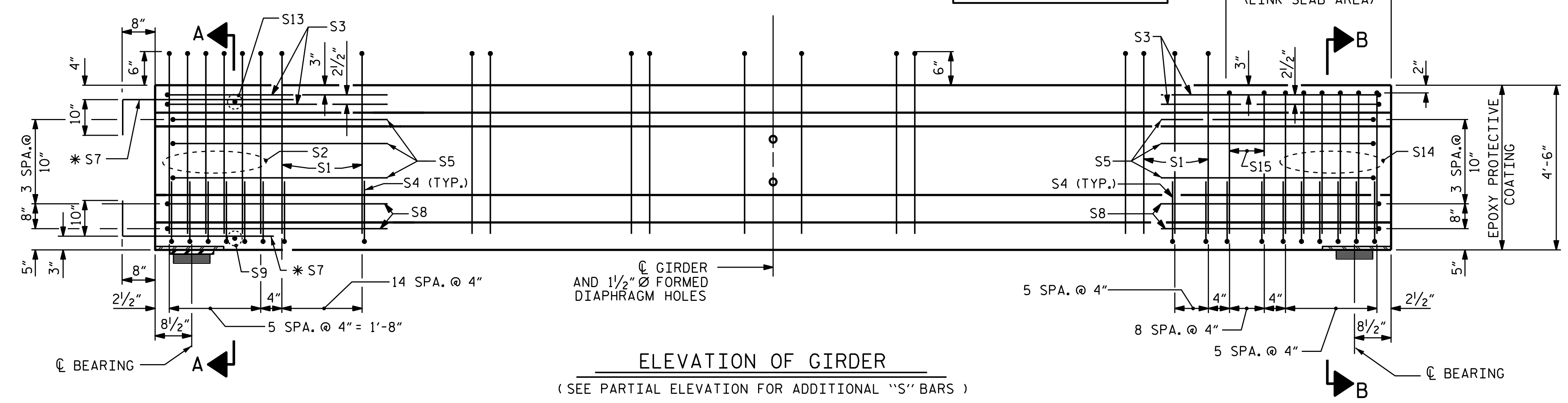
DOCUMENT NOT CONSIDERED FINAL UNLESS ALL SIGNATURES COMPLETED



PLAN OF GIRDER

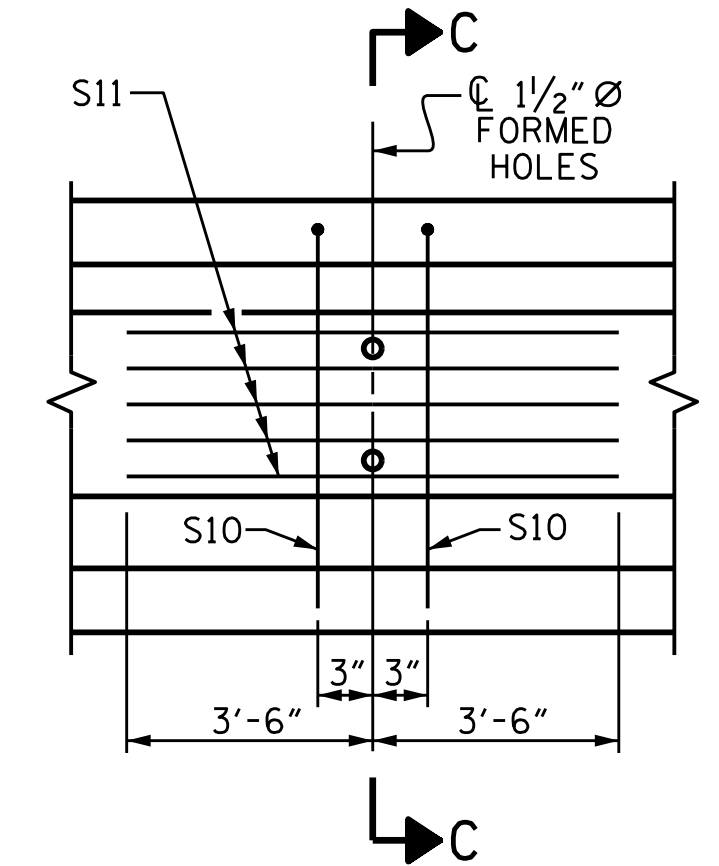
\*\* DO NOT RAKE TOP OF GIRDER IN THIS AREA

\*\* 5'-1" (LINK SLAB AREA)



ELEVATION OF GIRDER

(SEE PARTIAL ELEVATION FOR ADDITIONAL "S" BARS)



PARTIAL ELEVATION

SHOWING INTERMEDIATE DIAPHRAGM REINFORCING STEEL FOR ALL GIRDERS

ASSEMBLED BY : S. WANCE/A.Y.GODFREY	DATE : 05/2020
CHECKED BY : A.Y.GODFREY	DATE : 05/2020
DRAWN BY : ELR 8/91	REV. 10/1/11 MAA/GM
CHECKED BY : GRP 8/91	REV. 1/15 MAA/TMG
	REV. 12/17 MAA/THC