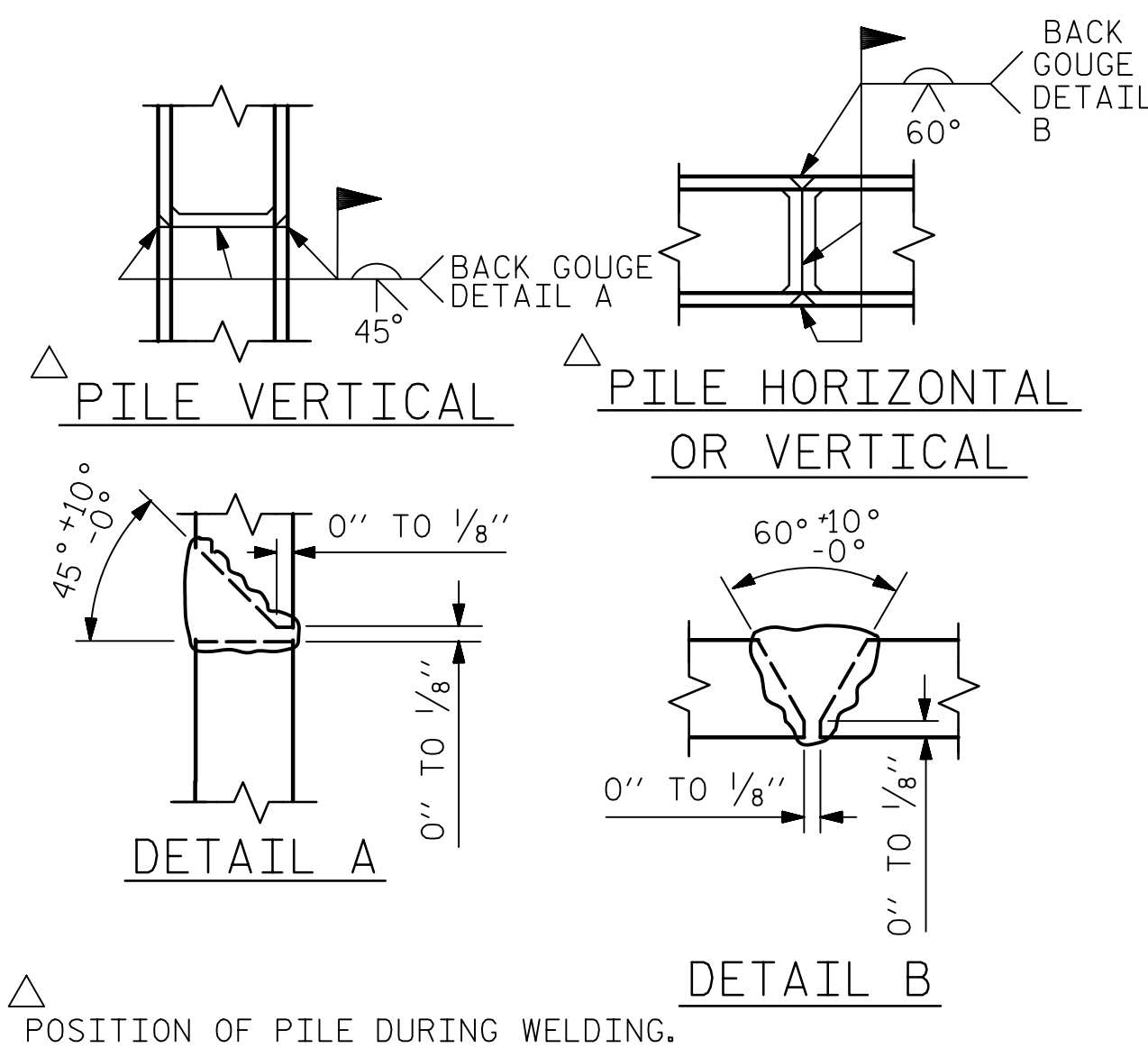


BAGGED STONE AND PIPE SHALL BE PLACED IMMEDIATELY AFTER COMPLETION OF END BENT EXCAVATION. PIPE MAY BE EITHER CONCRETE, CORRUGATED STEEL, CORRUGATED ALUMINUM ALLOY, OR CORRUGATED PLASTIC. PERFORATED PIPE WILL NOT BE ALLOWED.

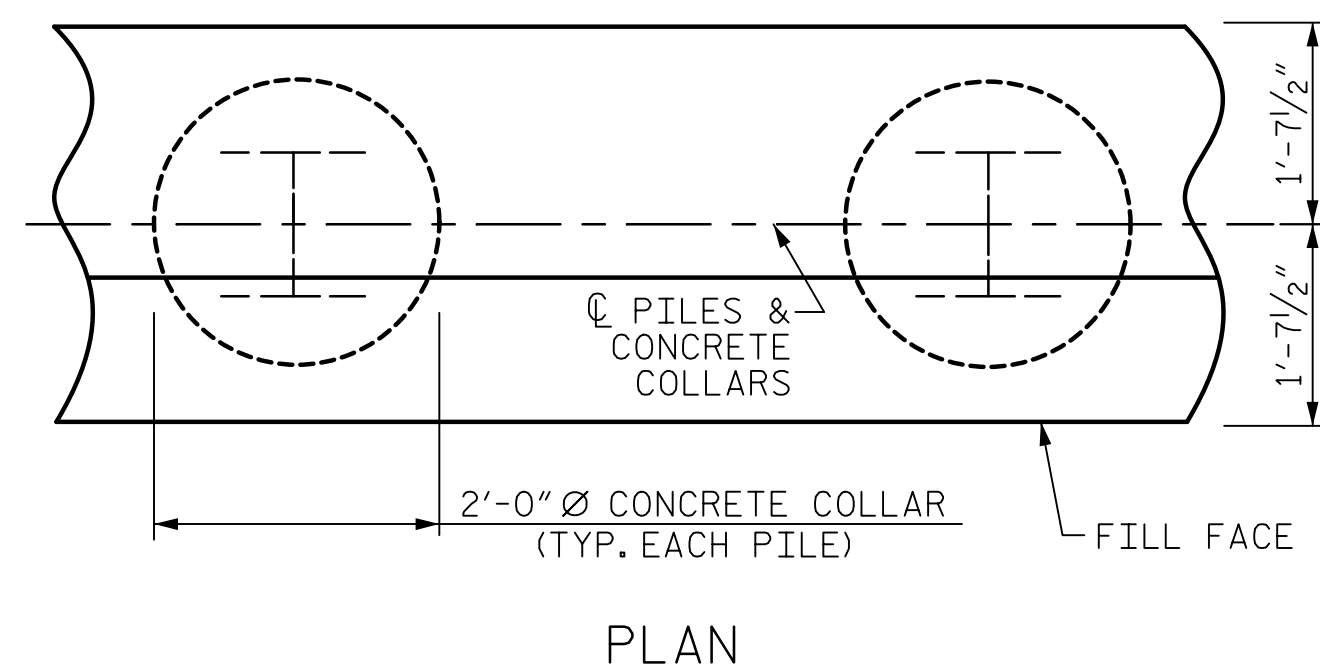
BAGGED STONE SHALL REMAIN IN PLACE UNTIL THE ENGINEER DIRECTS THAT IT BE REMOVED. THE CONTRACTOR SHALL REMOVE AND DISPOSE OF SILT ACCUMULATIONS AT BAGGED STONE WHEN SO DIRECTED BY THE ENGINEER. BAGS SHALL BE REMOVED AND REPLACED WHENEVER THE ENGINEER DETERMINES THAT THEY HAVE DETERIORATED AND LOST THEIR EFFECTIVENESS.

NO SEPARATE PAYMENT WILL BE MADE FOR THIS WORK AND THE ENTIRE COST OF THIS WORK SHALL BE INCLUDED IN THE UNIT CONTRACT PRICE BID FOR THE SEVERAL PAY ITEMS.

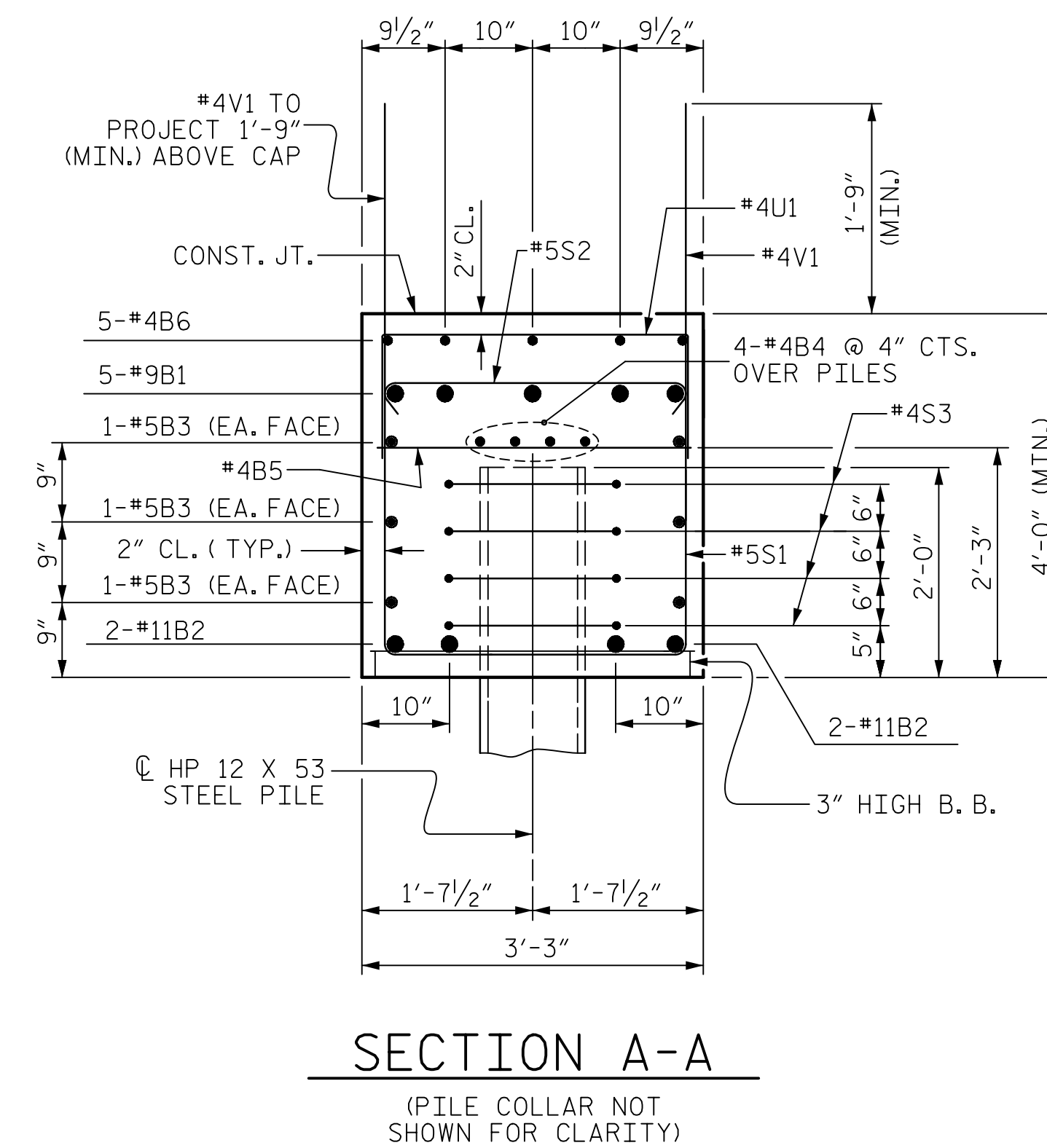
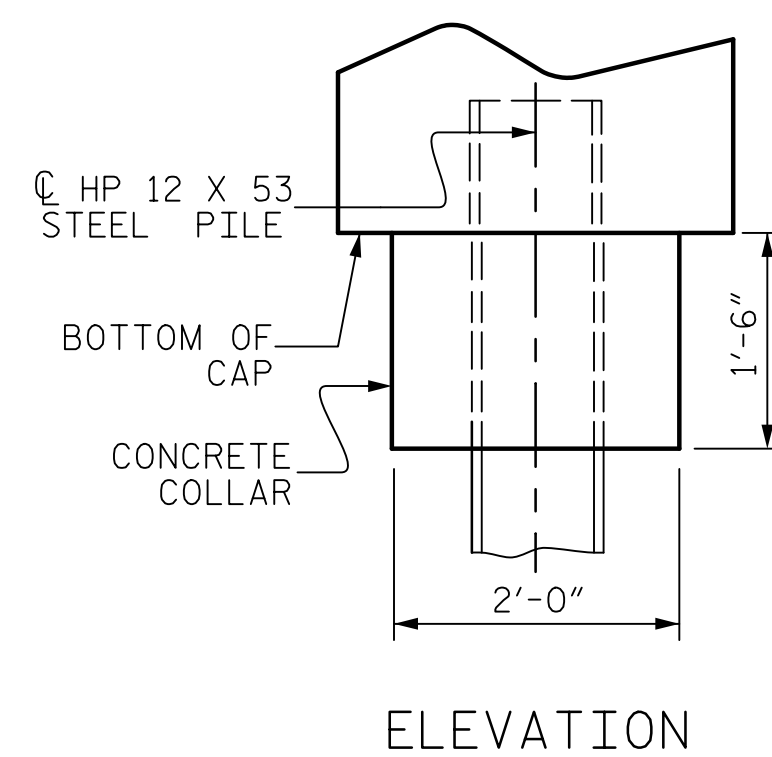
### TEMPORARY DRAINAGE AT END BENT



### PILE SPLICE DETAILS



### CORROSION PROTECTION FOR STEEL PILES DETAIL



### SECTION A-A

(PILE COLLAR NOT SHOWN FOR CLARITY)

PROJECT NO. B-4407  
ANSON/STANLY COUNTY  
 STATION: 32+31.61 -L-

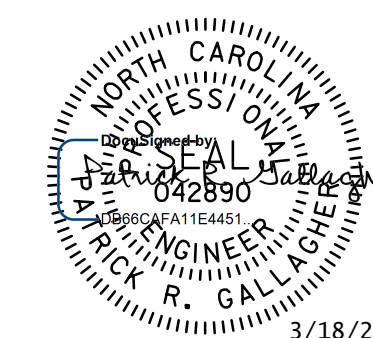
SHEET 5 OF 6

STATE OF NORTH CAROLINA  
 DEPARTMENT OF TRANSPORTATION  
 RALEIGH  
 SUBSTRUCTURE  
 END BENT DETAILS

**V&M**  
 Vaughn & Melton  
 Consulting Engineers  
 Asheville, North Carolina  
 828-233-2786

Boone, NC 828-355-9933  
 Tri-Cities, TN 423-467-8401  
 Knoxville, TN 865-546-5800  
 Spartanburg, SC 864-574-4775  
 Charleston, SC 843-974-5650  
 Middleboro, KY 506-248-6500  
 Raleigh, NC 919-977-9455  
 Charlotte, NC 704-357-0488  
 Atlanta, GA 770-627-3590

Copyright © 2006 Vaughn & Melton, Inc. All Rights Reserved



DOCUMENT NOT CONSIDERED  
 FINAL UNLESS ALL  
 SIGNATURES COMPLETED

DWN. BY: AW DATE: 10/2020  
 CHKD. BY: RTS DATE: 10/2020  
 DES. EGR. OF RECORD: PRG DATE: 10/2020

REVISIONS						SHEET NO.
NO.	BY:	DATE:	NO.	BY:	DATE:	S-33
1			3			TOTAL SHEETS
2			4			45