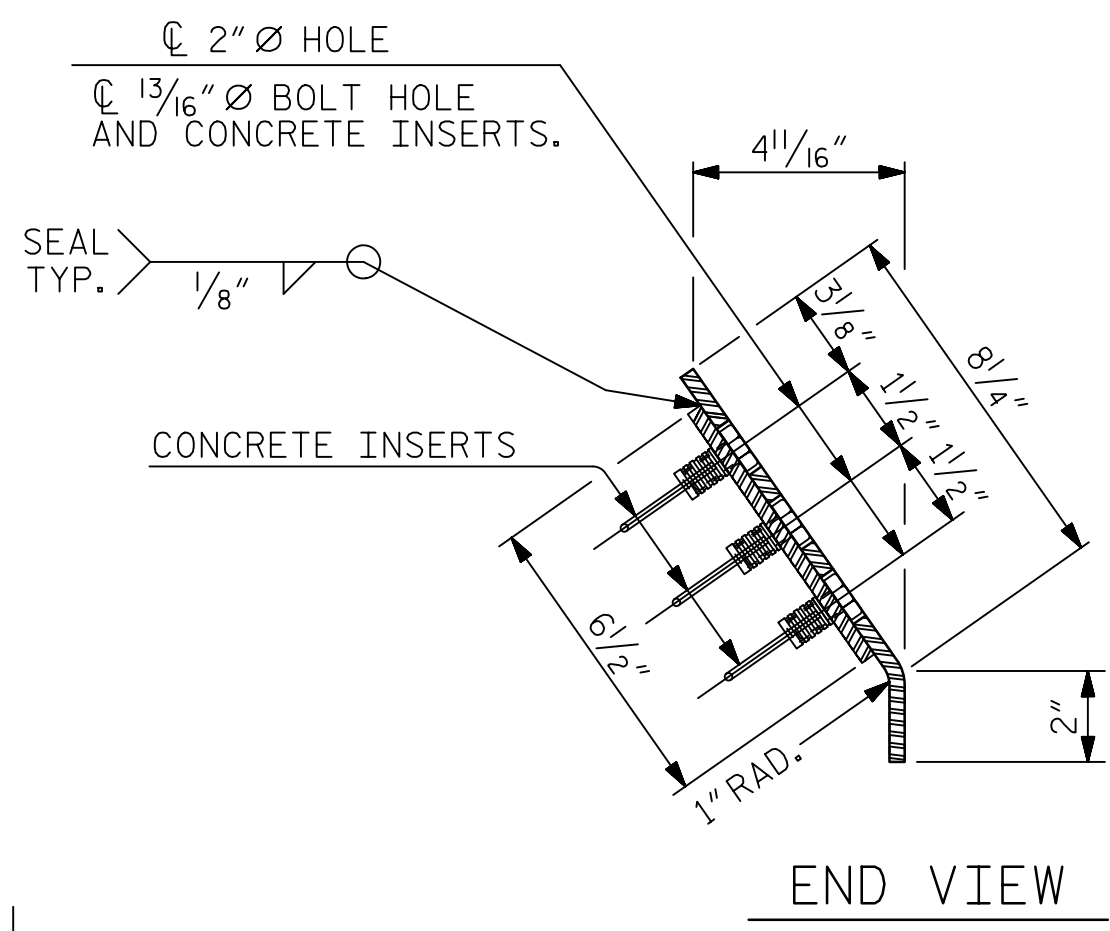
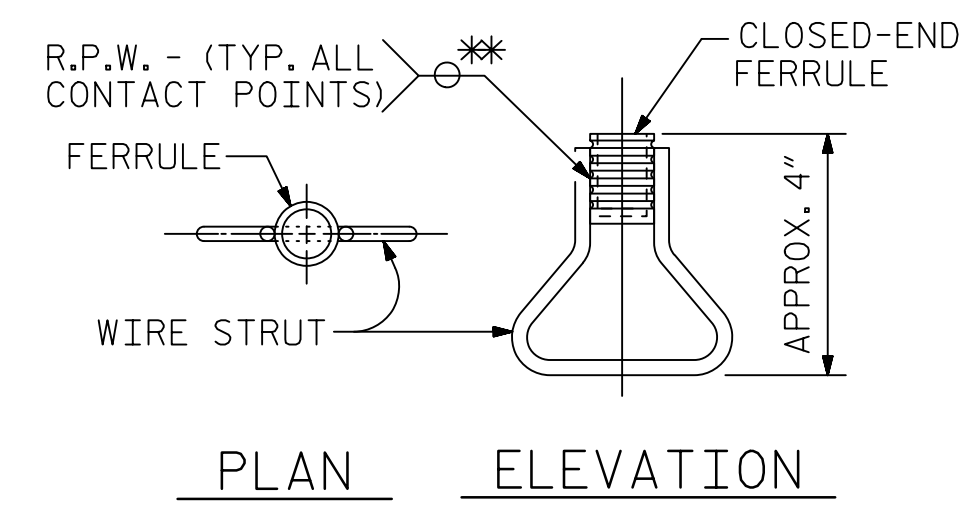


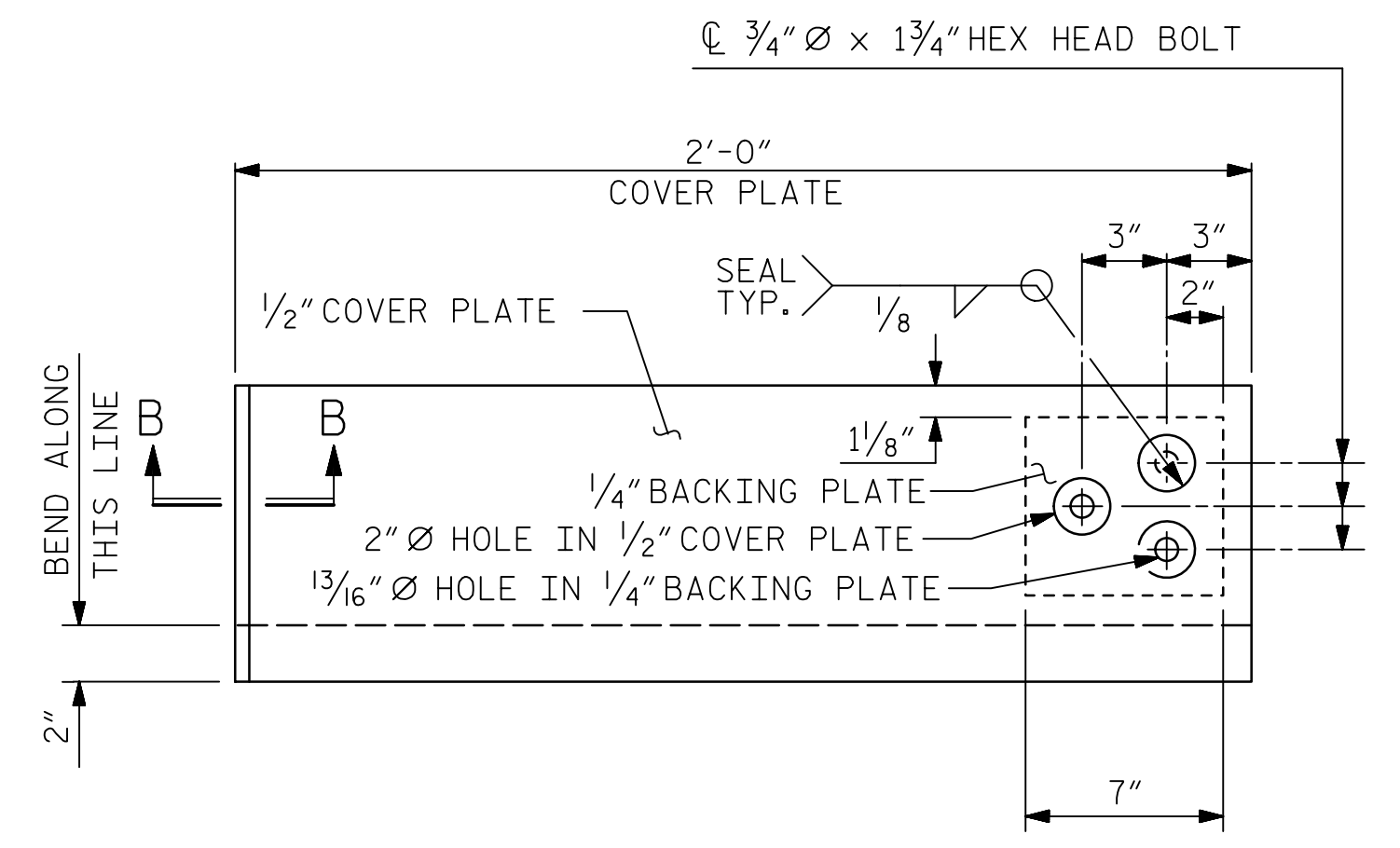
SECTION THRU RAIL NORMAL TO JOINT



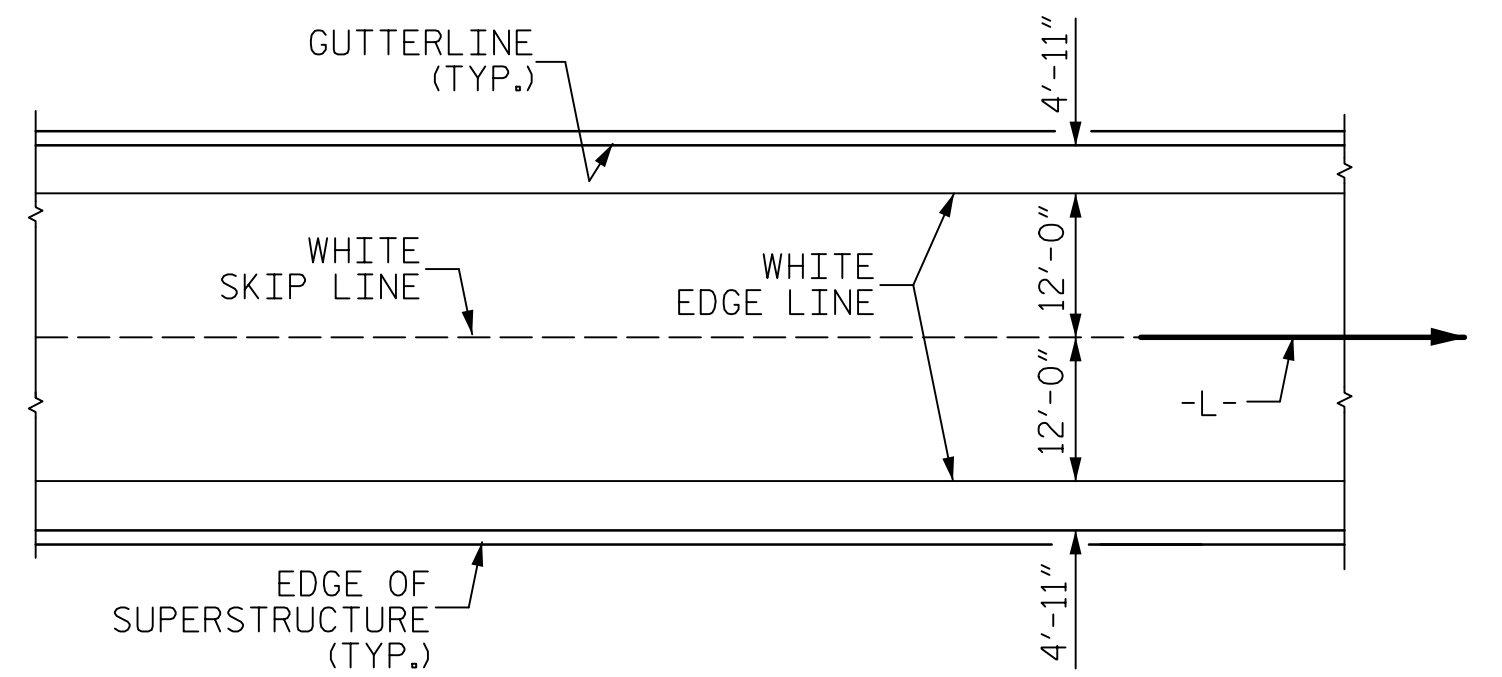
CONCRETE INSERT



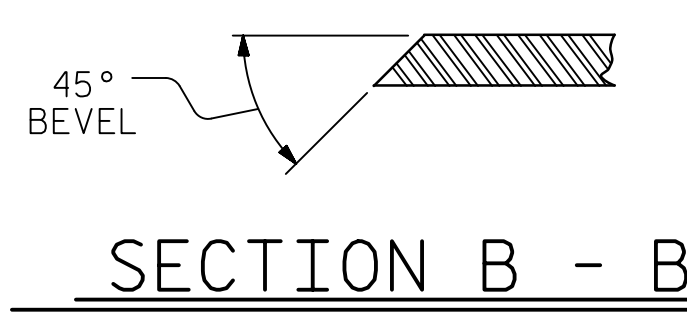
PLAN ELEVATION



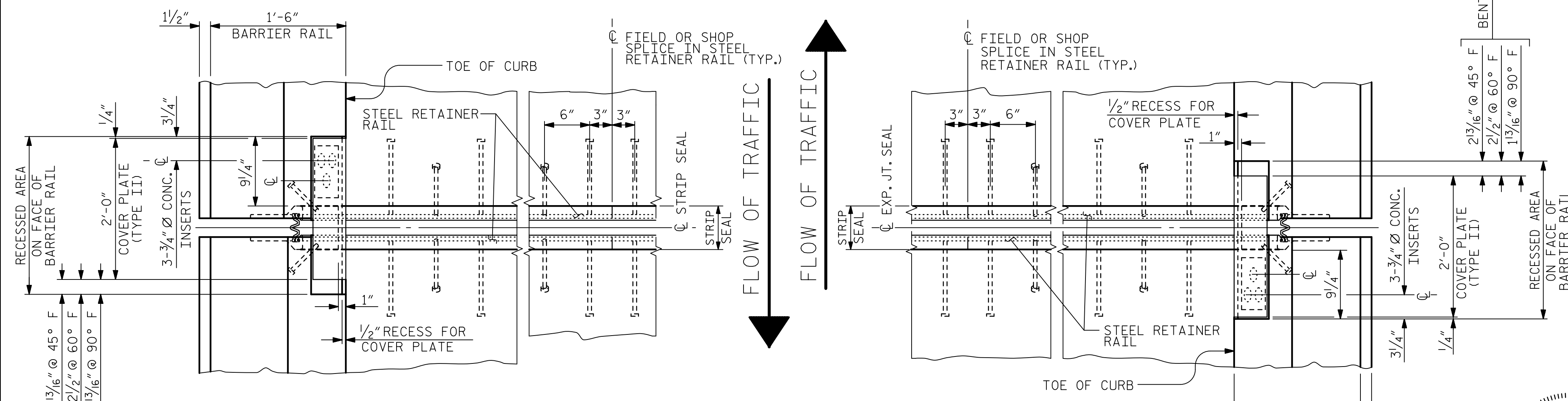
TYPE II - ELEVATION VIEW
COVER PLATE DETAILS



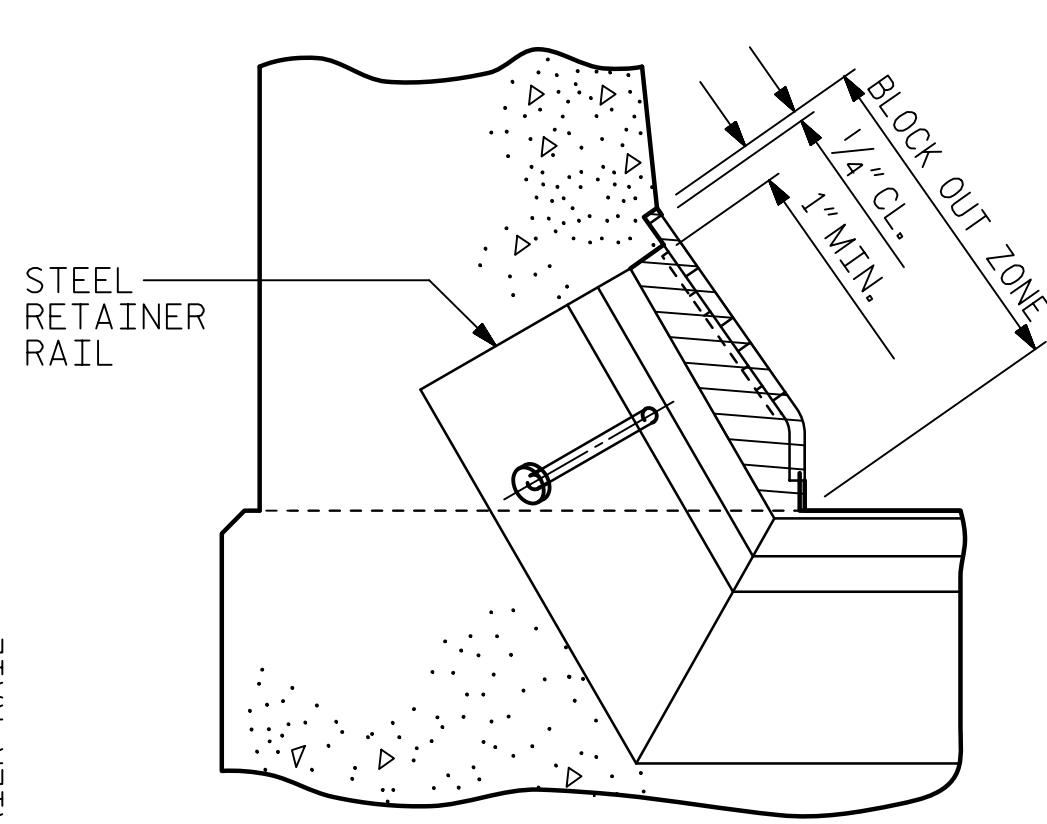
PAVEMENT MARKING ALIGNMENT



SECTION B - B



PLAN OF STRIP SEAL EXPANSION JOINT



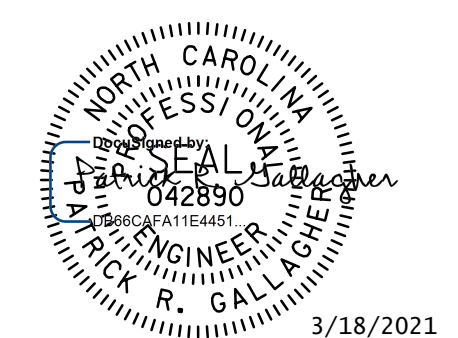
BLOCK OUT DETAIL

PROJECT NO. B-4407
ANSON/STANLY COUNTY
STATION: 32+31.61 -L-

SHEET 2 OF 2
STATE OF NORTH CAROLINA
DEPARTMENT OF TRANSPORTATION
RALEIGH
STANDARD
STRIP SEAL EXPANSION
JOINT DETAILS
FOR BARRIER RAIL

V&M
Vaughn & Melton
Consulting Engineers
Asheville, North Carolina
828-253-2788

- Boone, NC 828-355-9933
- Tri-Cities, TN 423-461-8401
- Knoxville, TN 865-546-5800
- Spartanburg, SC 864-574-4775
- Charleston, SC 843-974-5650
- Middleboro, KY 505-248-6500
- Atlanta, GA 770-627-3590
- Charlotte, NC 704-357-0488



3/18/2021

DOCUMENT NOT CONSIDERED
FINAL UNLESS ALL
SIGNATURES COMPLETED

DWN. BY: WDC DATE: 10/2020
CHKD. BY: PRG DATE: 10/2020
DES. EGR. OF RECORD: PRG DATE: 10/2020

| REVISIONS | | | | | | SHEET NO. |
|-----------|-----|-------|-----|-----|-------|-----------------|
| NO. | BY: | DATE: | NO. | BY: | DATE: | S-27 |
| 1 | | | 3 | | | TOTAL SHEETS 45 |
| 2 | | | 4 | | | |

STD. NO. SSEJ2

W:\CIVIL\Transportation\03730-09_B4407\Structures\Final Plans\053_B-4407_SML_S502_S27.dgn
 2:56 PM 11/11/2020
 TIME: 08:11 AM on Thursday, February 04, 2021

DRAWN BY : MAA 6/20
CHECKED BY : BNB 6/20