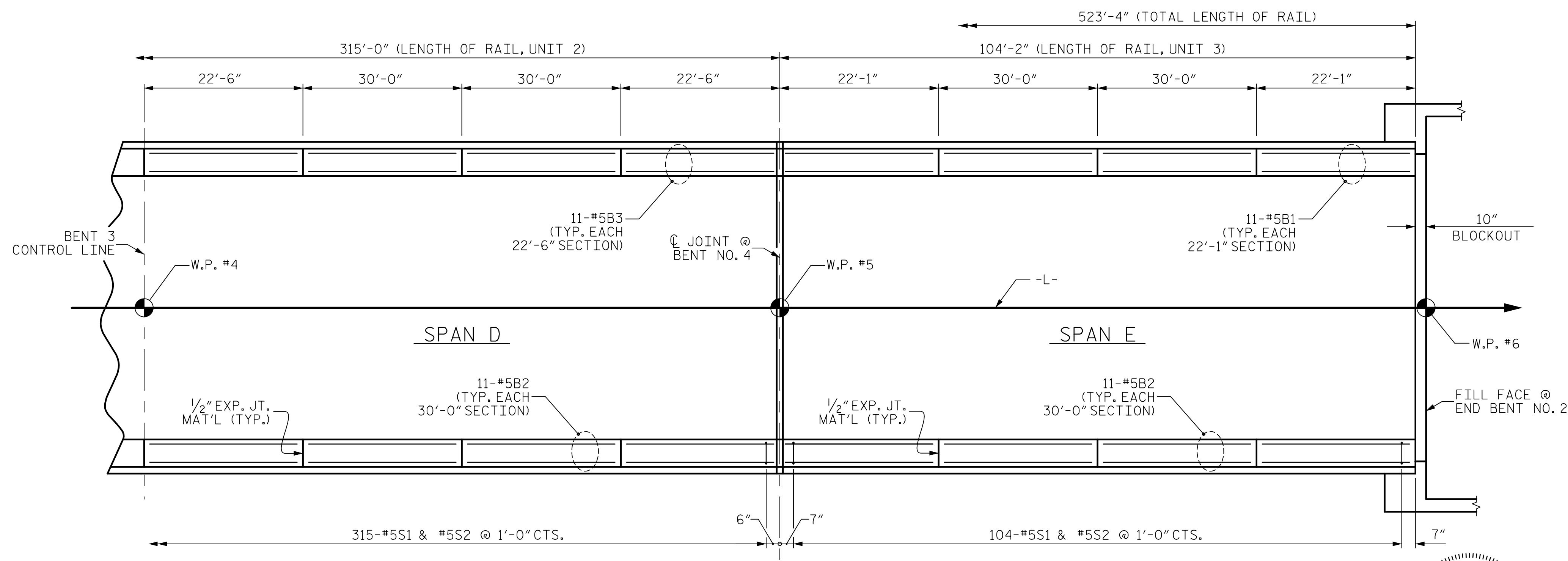


PLAN OF RAIL

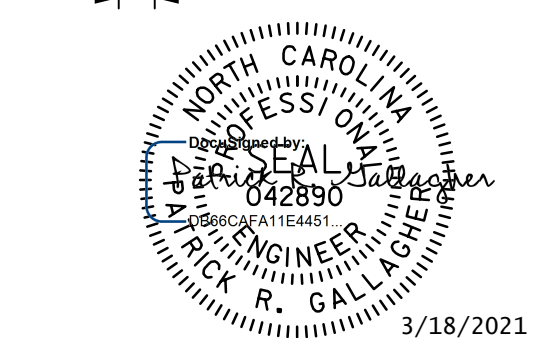
DIMENSIONS AND INFORMATION SHOWN IS TYPICAL FOR BOTH LEFT AND RIGHT RAILS.



PLAN OF RAIL

W:\Projects\2020\Transportation\3130-09_B4407\Structures\Final Plans\045-B-4407_SML\BR01_S23.dgn
 2/18/2021 03:28 PM on Wednesday, February 03, 2021

DRAWN BY : ARB 5/87	REV. 7/12	MAA/GM
CHECKED BY : SJD 9/87	REV. 6/13	MAA/GM
	REV. 12/17	MAA/THC



DOCUMENT NOT CONSIDERED FINAL UNLESS ALL SIGNATURES COMPLETED

DWN. BY: WDC	DATE: 10/2020
CHKD. BY: PRG	DATE: 10/2020
DES. EGR. OF RECORD: PRG	DATE: 10/2020

PROJECT NO. B-4407
ANSON/STANLY COUNTY
 STATION: 32+31.61 -L-
 SHEET 1 OF 2

STATE OF NORTH CAROLINA
 DEPARTMENT OF TRANSPORTATION
 RALEIGH
 STANDARD
 CONCRETE BARRIER
 RAIL

REVISIONS						SHEET NO.
NO.	BY:	DATE:	NO.	BY:	DATE:	S-23
1			3			TOTAL SHEETS 45
2			4			

STD. NO. CBR1