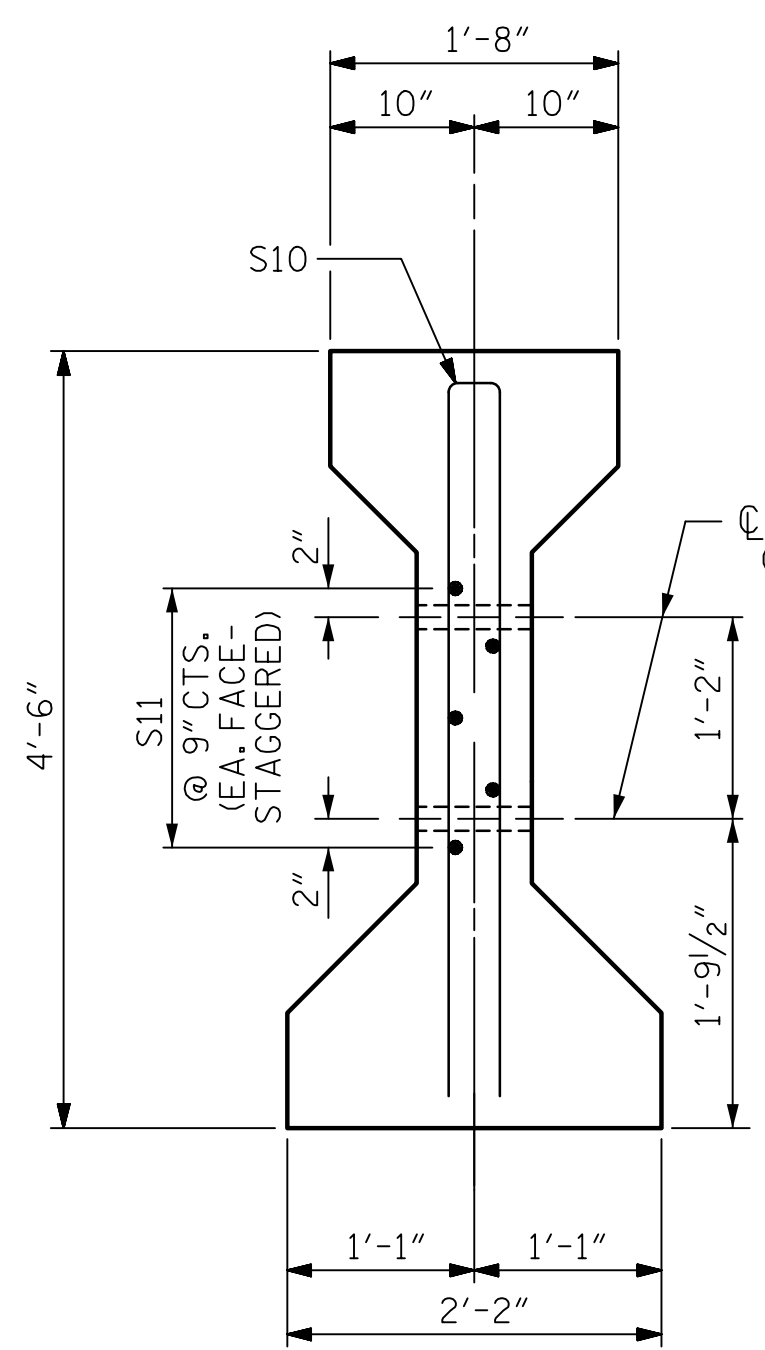


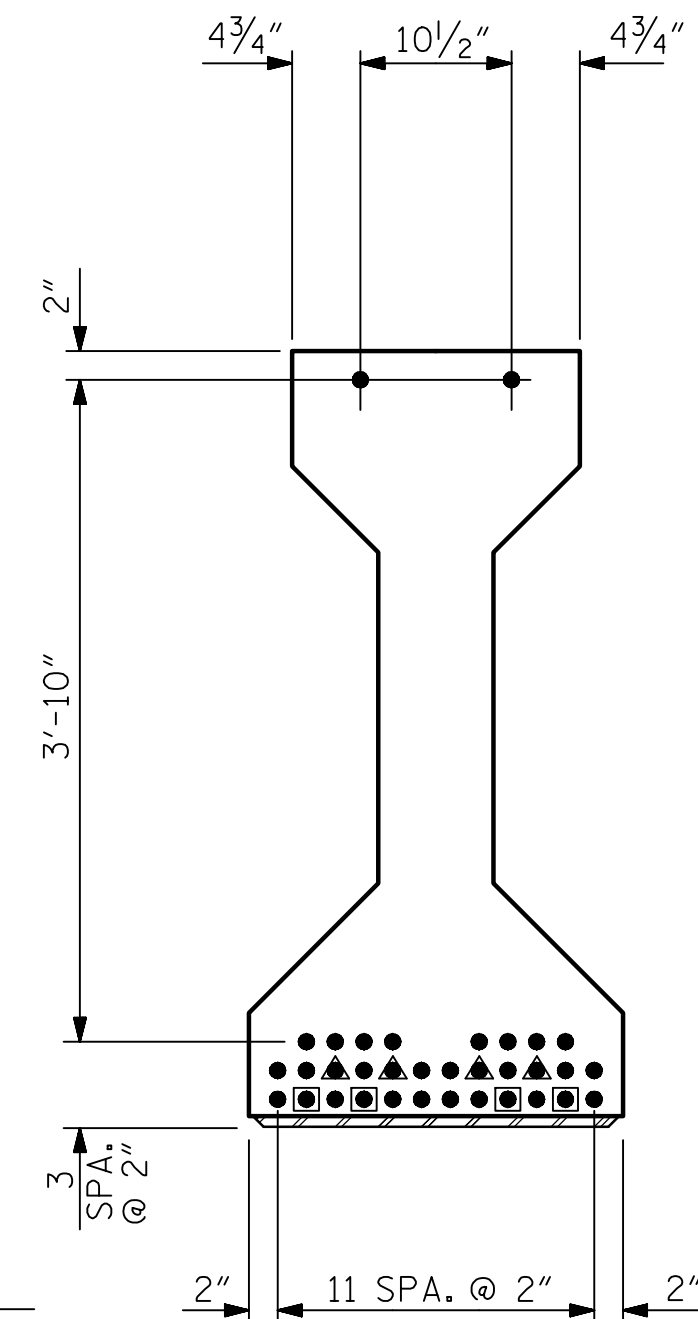
SECTION B-B

* FOR S7 BARS, SEE DETAIL "A" OF PRESTRESSED CONCRETE GIRDER CONTINUOUS FOR LIVE LOAD DETAILS SHEET

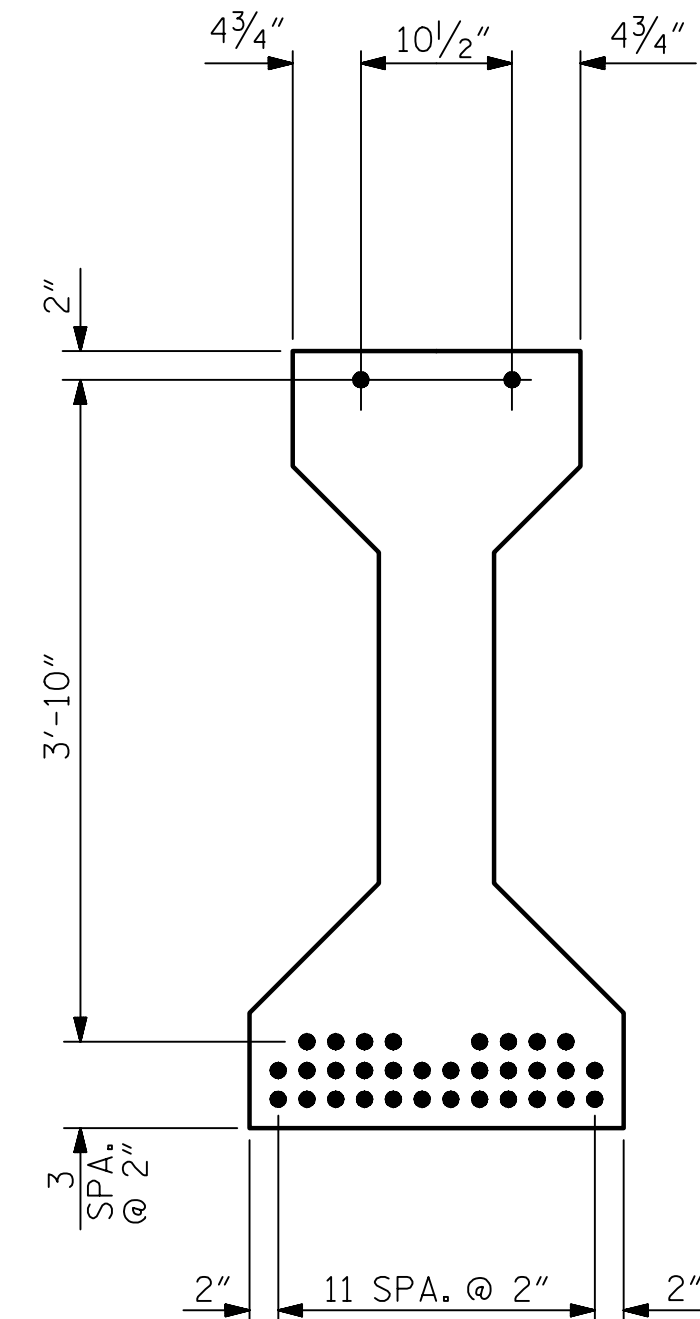


SECTION D-D
(S1 BARS NOT SHOWN)

1/2" Ø FORMED HOLE (SEE FRAMING PLAN FOR LOCATION)



AT END OF GIRDER

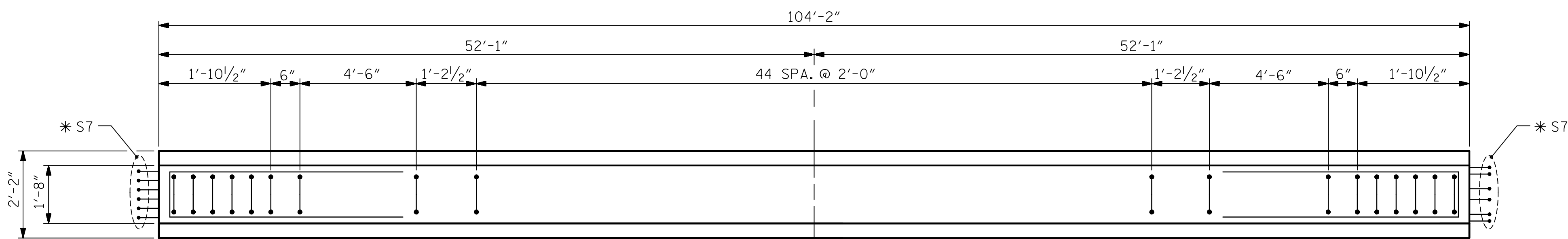


AT C OF GIRDER

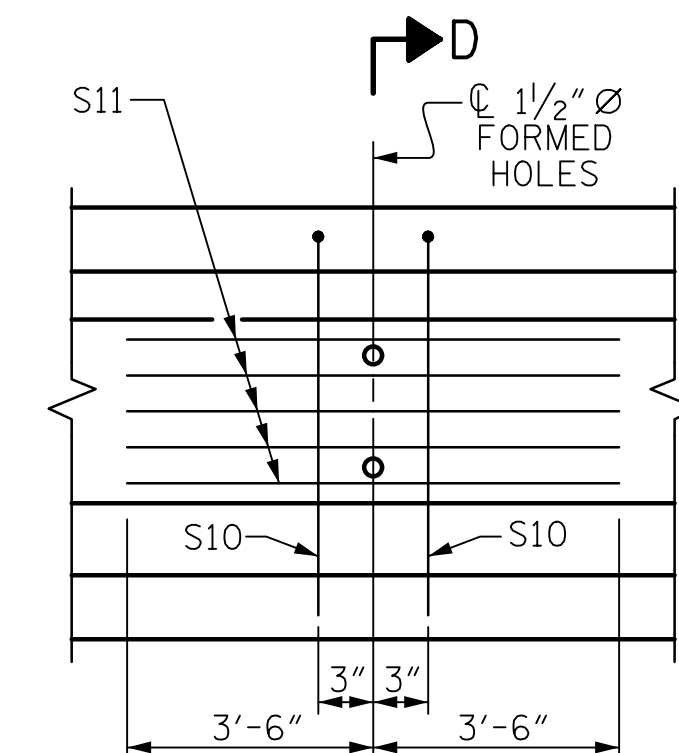
DEBONDING LEGEND

- FULLY BONDED STRANDS
- ▲ STRANDS DEBONDED FOR 10'-0" FROM END OF GIRDER
- STRANDS DEBONDED FOR 12'-0" FROM END OF GIRDER

0.6" Ø LOW RELAXATION STRAND LAYOUT

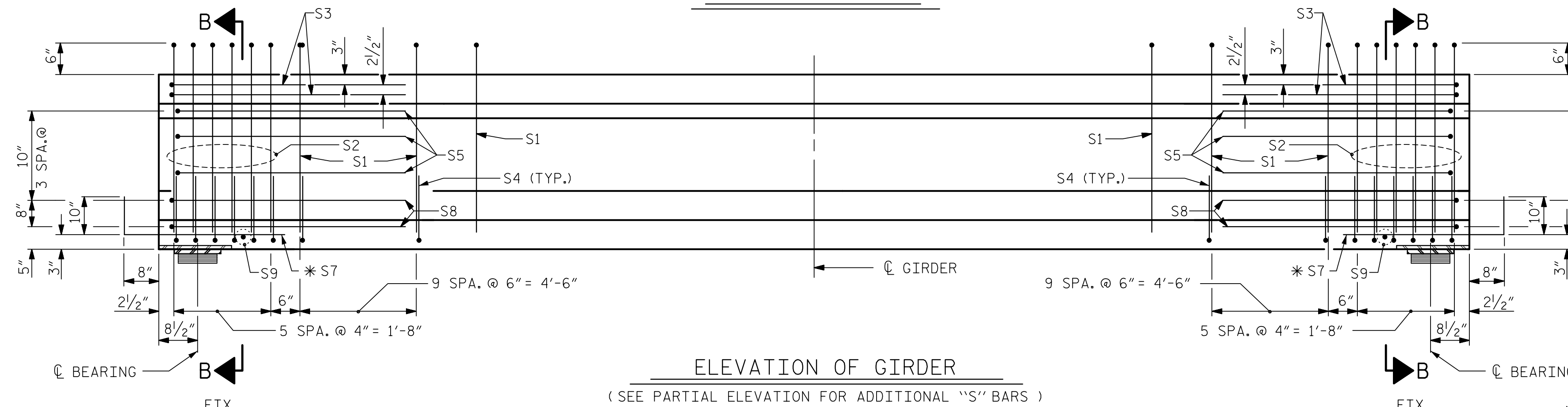


PLAN OF GIRDER



PARTIAL ELEVATION

SHOWING INTERMEDIATE DIAPHRAGM REINFORCING STEEL FOR GIRDERS



ELEVATION OF GIRDER

(SEE PARTIAL ELEVATION FOR ADDITIONAL "S" BARS)

0.6" Ø L. R. GRADE 270 STRANDS

AREA (SQUARE INCHES)	ULTIMATE STRENGTH (LBS. PER STRAND)	APPLIED PRESTRESS (LBS. PER STRAND)
0.217	58,600	43,950

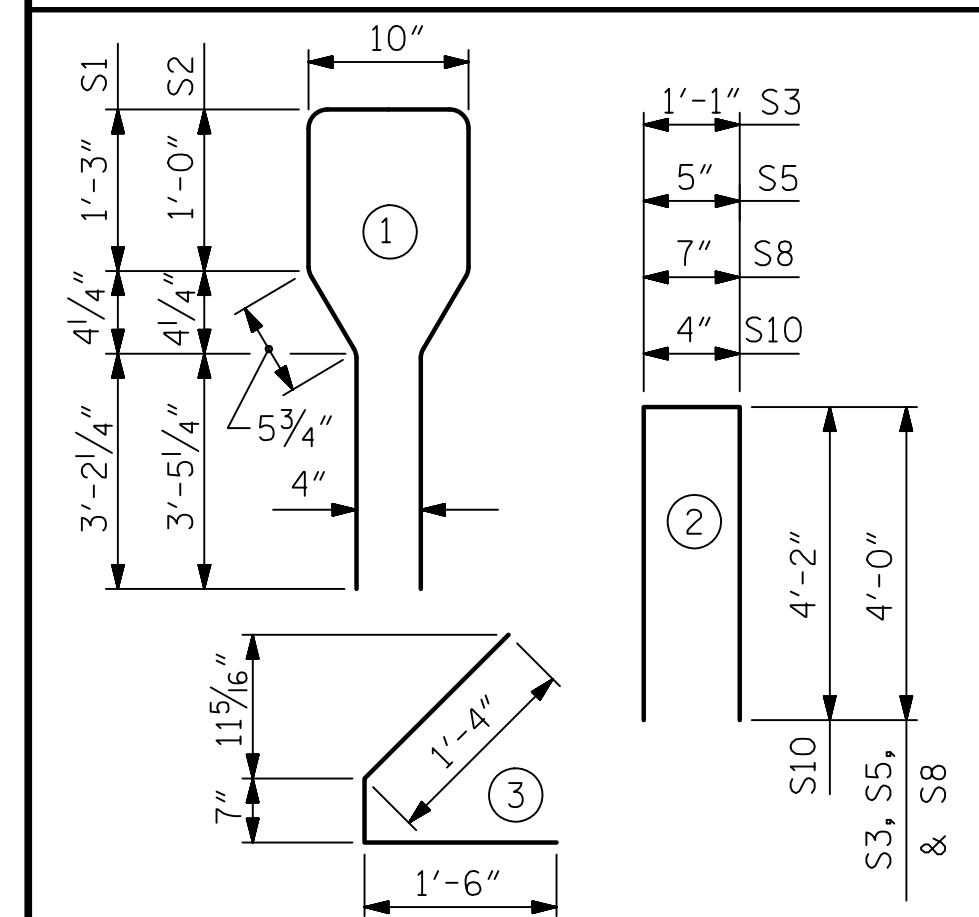
REINFORCING STEEL FOR ONE GIRDER

BAR	NUMBER	SIZE	TYPE	LENGTH	WEIGHT
S1	65	#4	1	10'-8"	463
S2	12	#6	1	10'-8"	192
S3	4	#4	2	9'-1"	24
S4	64	#4	3	3'-5"	146
S5	6	#4	2	8'-5"	34
* S7	12	#5	STR	3'-8"	46
S8	4	#4	2	8'-7"	23
S9	2	#3	STR	1'-10"	1
S10	2	#5	2	8'-8"	18
S11	5	#4	STR	7'-0"	23

* NOTE: S7 BARS SHALL BE BENT BEFORE SHIPMENT. HEAT BENDING SHALL NOT BE ALLOWED.

BAR TYPES

ALL BAR DIMENSIONS ARE OUT-TO-OUT



QUANTITIES FOR ONE GIRDER

REINFORCING STEEL	8500 PSI CONCRETE	0.6" Ø L. R. STRANDS
LB.	C.Y.	No.
970	21.1	34

GIRDERS REQUIRED

NUMBER	LENGTH	TOTAL LENGTH
5	104'-2"	520'-10"

PROJECT NO. B-4407
ANSON/STANLY COUNTY
STATION: 32+31.61 -L-

SHEET 3 OF 6

STATE OF NORTH CAROLINA
DEPARTMENT OF TRANSPORTATION
RALEIGH
STANDARD
AASHTO TYPE IV
PRESTRESSED CONCRETE GIRDER
CONTINUOUS FOR LIVE LOAD
(SPAN C)

REVISIONS

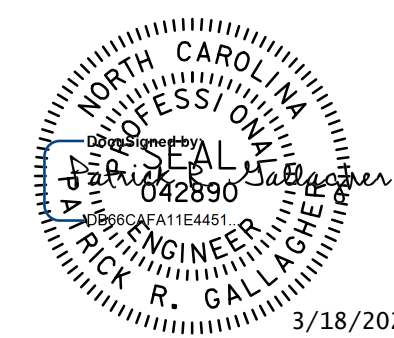
NO.	BY:	DATE:	NO.	BY:	DATE:
1			3		
2			4		

SHEET NO.
S-18
TOTAL SHEETS
45

V&M
Vaughn & Melton
Consulting Engineers
Asheville, North Carolina
828-253-2788

Boone, NC 828-355-9933
Tri-Cities, TN 423-461-8401
Knoxville, TN 865-546-5800
Spartanburg, SC 864-574-4775
Charleston, SC 843-974-5650
Middleboro, KY 502-248-6500
Asheville, NC 828-253-2788
Charlotte, NC 704-357-0488
Atlanta, GA 770-627-3590

Copyright © 2006 Vaughn & Melton, Inc. All Rights Reserved



DOCUMENT NOT CONSIDERED FINAL UNLESS ALL SIGNATURES COMPLETED

DWN. BY: WDC
CHKD. BY: PRG
DES. EGR. OF RECORD: PRG

DATE: 10/2020
DATE: 10/2020
DATE: 10/2020

DRAWN BY: ELR 8/91
CHECKED BY: GRP 8/91

REV. 10/1/11
REV. 1/15
REV. 12/17

MAA/GM
MAA/TMG
MAA/THC

W:\C\Projects\Transportation\30-09_B4407\Structures\Final Plans\035_B-4407_SML\GDR3_S18.dgn
 DATE: 09/27/2021 09:37 AM on Thursday, February 04, 2021