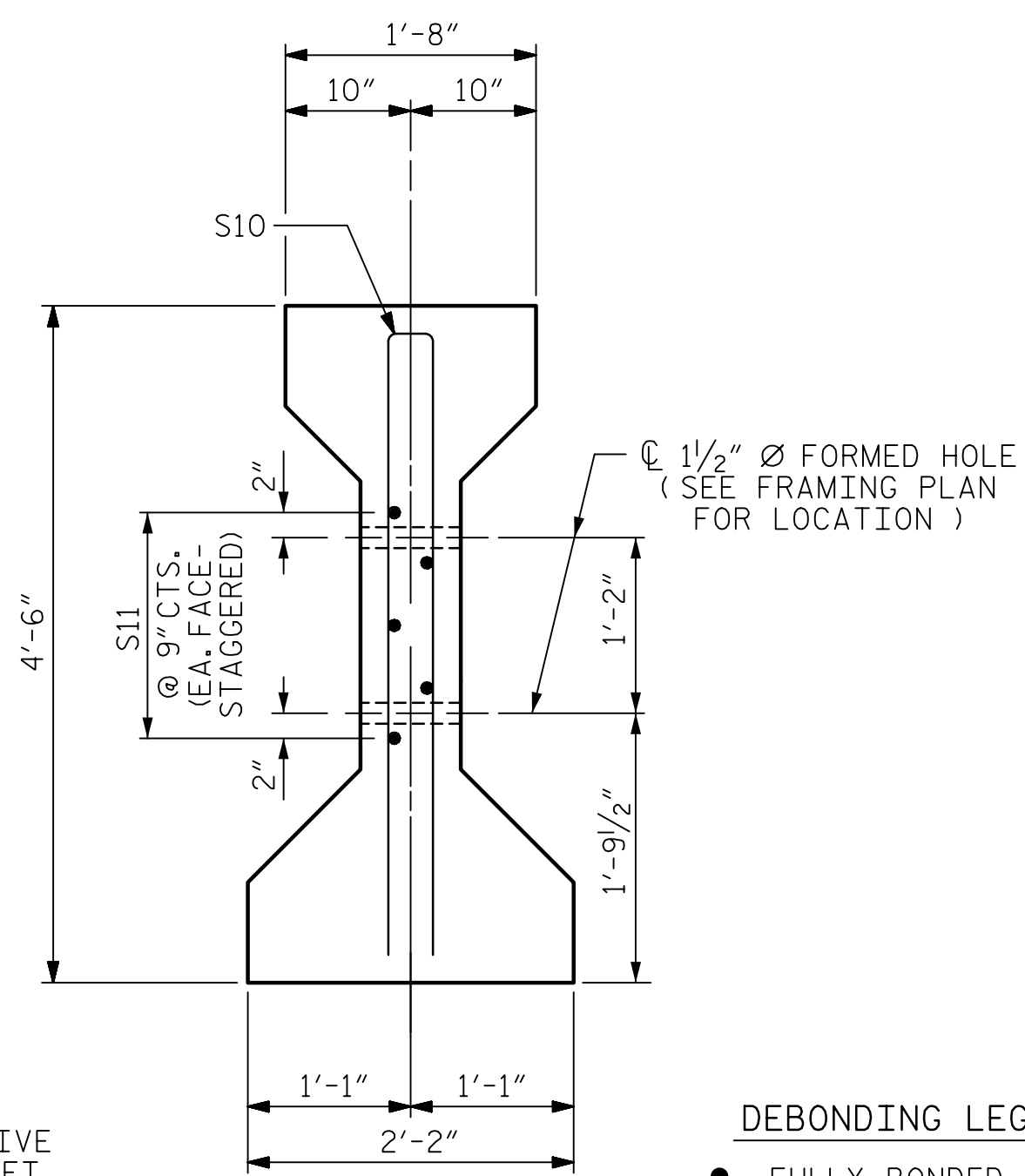


SECTION C-C

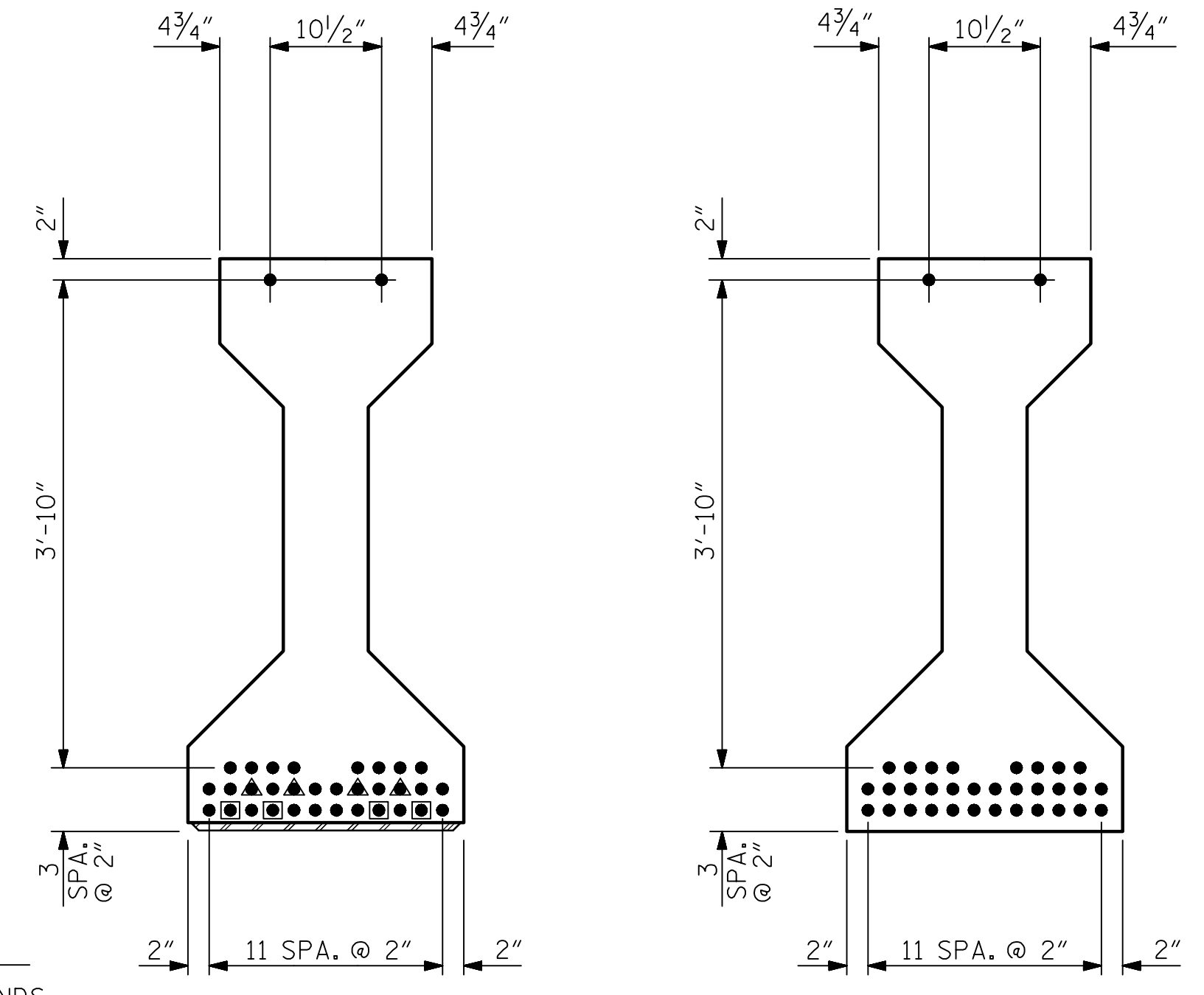
SECTION B-B



SECTION D-D
(S1 BARS NOT SHOWN)

* FOR S7 BARS, SEE
DETAIL "A" OF
PRESTRESSED
CONCRETE GIRDER
CONTINUOUS FOR LIVE
LOAD DETAILS SHEET

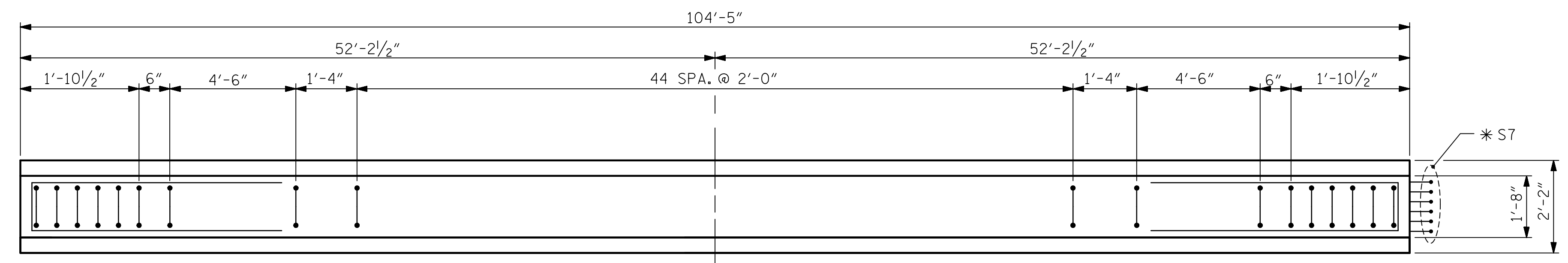
- DEBONDING LEGEND**
- FULLY BONDED STRANDS
 - ▲ STRANDS DEBONDED FOR 10'-0" FROM END OF GIRDER
 - STRANDS DEBONDED FOR 12'-0" FROM END OF GIRDER



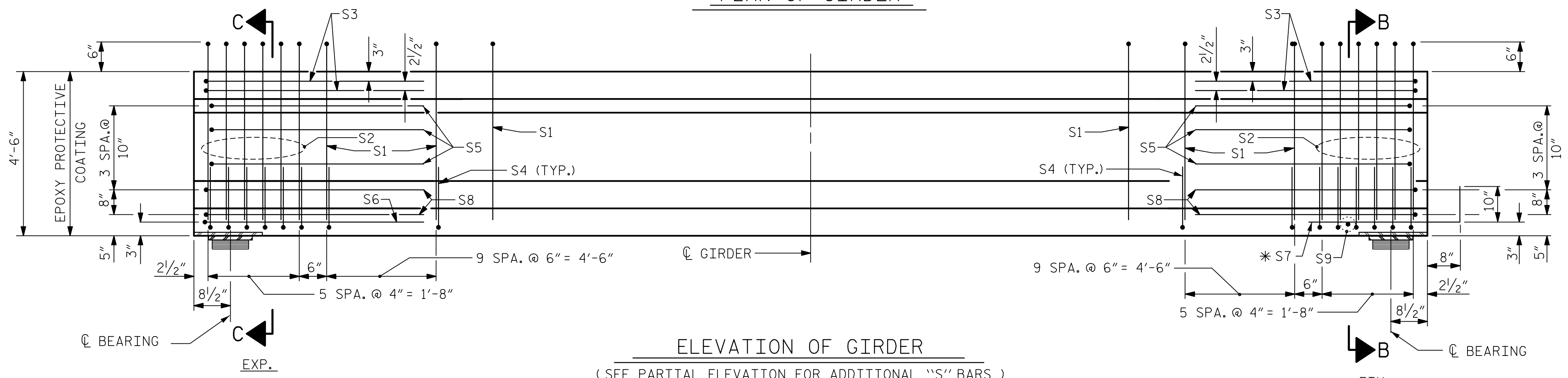
AT END OF GIRDER

AT C. OF GIRDER

0.6" Ø LOW RELAXATION STRAND LAYOUT

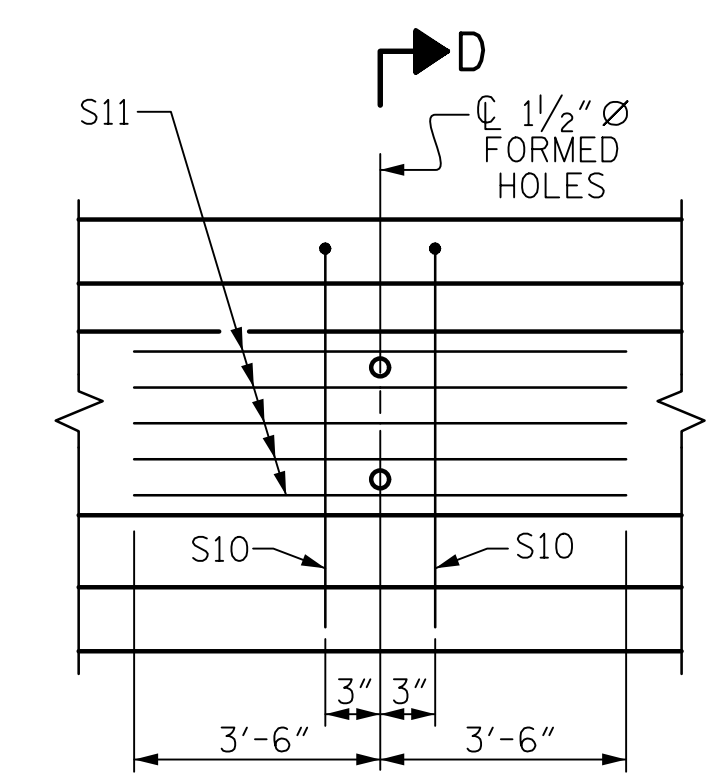


PLAN OF GIRDER



ELEVATION OF GIRDER

(SEE PARTIAL ELEVATION FOR ADDITIONAL "S" BARS)
(SPAN B SHOWN, SPAN D SIMILAR BUT OPPOSITE)



PARTIAL ELEVATION

SHOWING INTERMEDIATE DIAPHRAGM
REINFORCING STEEL FOR GIRDERS

0.6" Ø L. R. GRADE 270 STRANDS

AREA (SQUARE INCHES)	ULTIMATE STRENGTH (LBS. PER STRAND)	APPLIED PRESTRESS (LBS. PER STRAND)
0.217	58,600	43,950

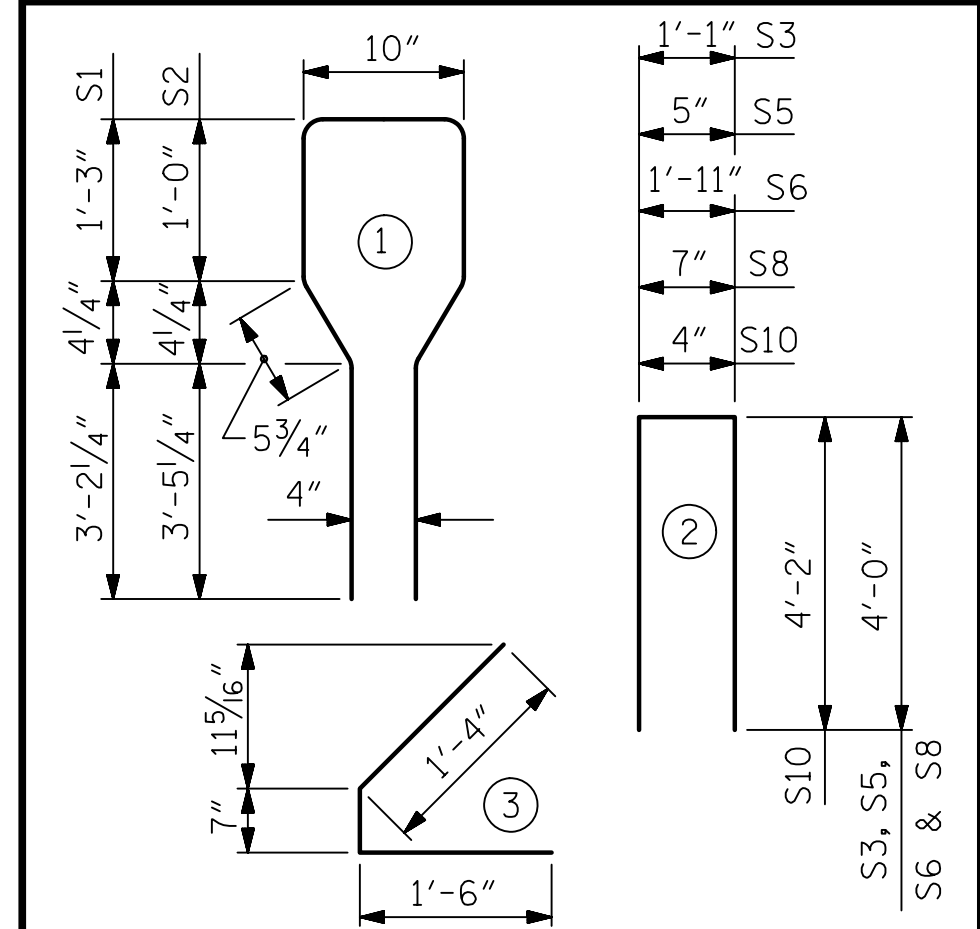
REINFORCING STEEL FOR ONE GIRDER

BAR	NUMBER	SIZE	TYPE	LENGTH	WEIGHT
S1	65	#4	1	10'-8"	463
S2	12	#6	1	10'-8"	192
S3	4	#4	2	9'-1"	24
S4	64	#4	3	3'-5"	146
S5	6	#4	2	8'-5"	34
S6	1	#4	2	9'-11"	7
* S7	6	#5	STR	3'-8"	23
S8	4	#4	2	8'-7"	23
S9	1	#3	STR	1'-10"	1
S10	2	#5	2	8'-8"	18
S11	5	#4	STR	7'-0"	23

* NOTE: S7 BARS SHALL BE BENT BEFORE SHIPMENT. HEAT BENDING SHALL NOT BE ALLOWED.

BAR TYPES

ALL BAR DIMENSIONS ARE OUT-TO-OUT



QUANTITIES FOR ONE GIRDER

REINFORCING STEEL	8500 PSI CONCRETE	0.6" Ø L. R. STRANDS
LB.	C.Y.	No.
954	21.2	34

GIRDERS REQUIRED

NUMBER	LENGTH	TOTAL LENGTH
10	104'-5"	1044'-2"

PROJECT NO. B-4407
ANSON/STANLY COUNTY
STATION: 32+31.61 -L-

SHEET 2 OF 6

STATE OF NORTH CAROLINA
DEPARTMENT OF TRANSPORTATION
RALEIGH

STANDARD
AASHTO TYPE IV
PRESTRESSED CONCRETE GIRDER
CONTINUOUS FOR LIVE LOAD
(SPANS B AND D)

REVISIONS						SHEET NO.
NO.	BY:	DATE:	NO.	BY:	DATE:	S-17
1			3			TOTAL SHEETS 45
2			4			

WDC/VSM/Transportation/3/30/09 B4407-Structures/Plan Plans/VOL_033_B-4407_SML-GDR2-ST.dgn
 TIME: 05:25 PM on Friday, February 05, 2021

DRAWN BY : ELR 8/91	REV. 10/1/11	MAA/GM
CHECKED BY : GRP 8/91	REV. 1/15	MAA/TMG
	REV. 12/17	MAA/THC

DOCUMENT NOT CONSIDERED
FINAL UNLESS ALL
SIGNATURES COMPLETED

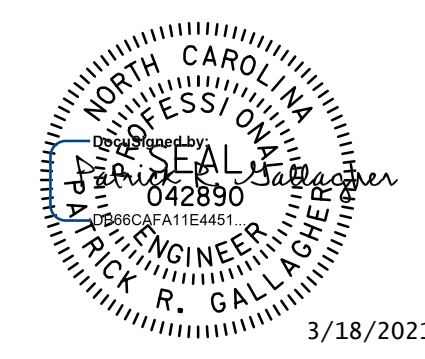
DWN. BY: WDC	DATE: 10/2020
CHKD. BY: PRG	DATE: 10/2020
DES. EGR. OF RECORD: PRG	DATE: 10/2020

V&M
Vaughn & Melton
Consulting Engineers

Asheville, NC
North Carolina
828-253-2788

Boone, NC 828-355-9933
Tri-Cities, TN 423-461-8401
Knoxville, TN 865-546-5800
Spartanburg, SC 864-574-4775
Charleston, SC 843-974-5650
Middleboro, KY 506-248-6500
Charlottesville, VA 804-357-0488
Atlanta, GA 770-627-3590

Copyright © 2006 Vaughn & Melton, Inc. All Rights Reserved



3/18/2021