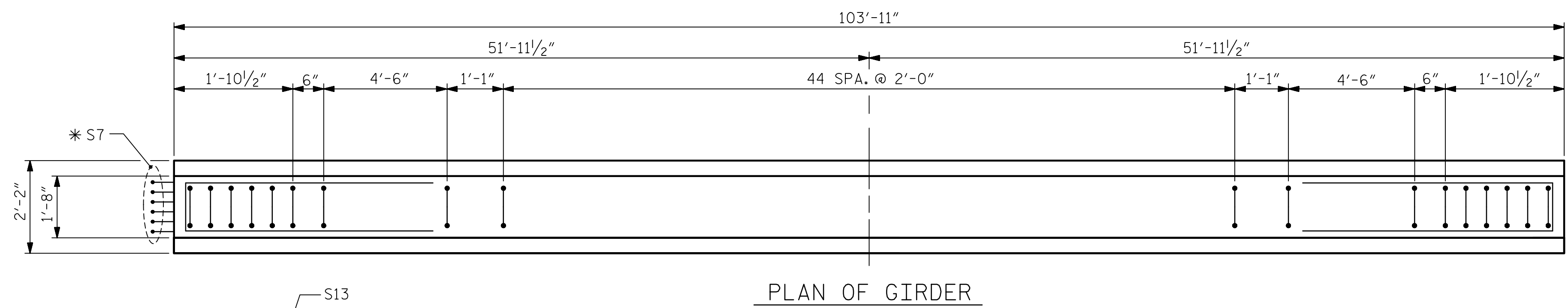


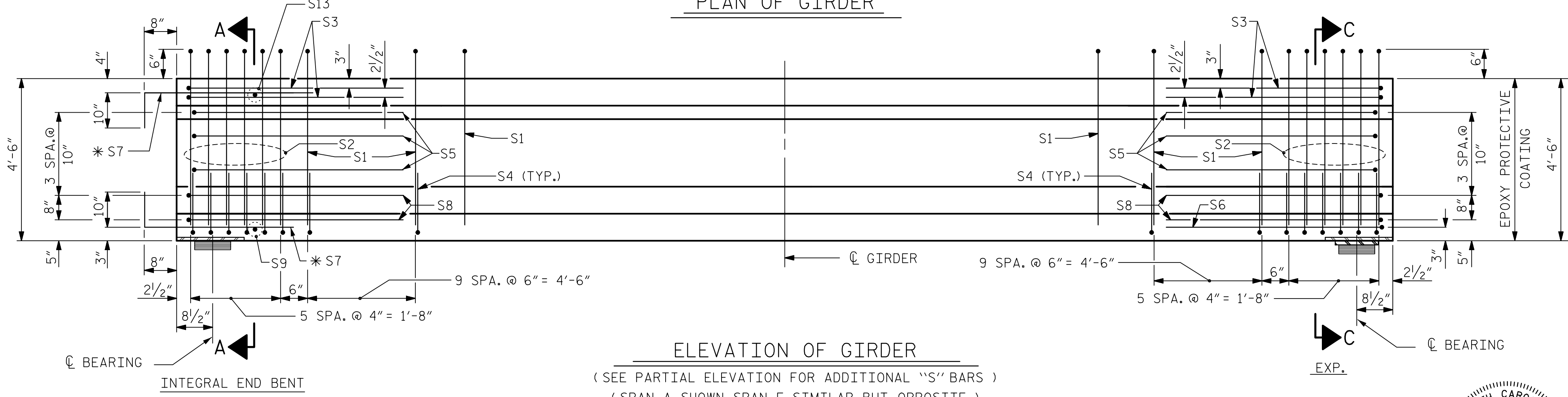
* FOR S7 BARS, SEE
DETAIL "A" OF
PRESTRESSED
CONCRETE GIRDER
CONTINUOUS FOR LIVE
LOAD DETAILS SHEET

DEBONDING LEGEND
 ● FULLY BONDED STRANDS
 ▲ STRANDS DEBONDED FOR
10'-0" FROM END OF GIRDER
 ■ STRANDS DEBONDED FOR
12'-0" FROM END OF GIRDER

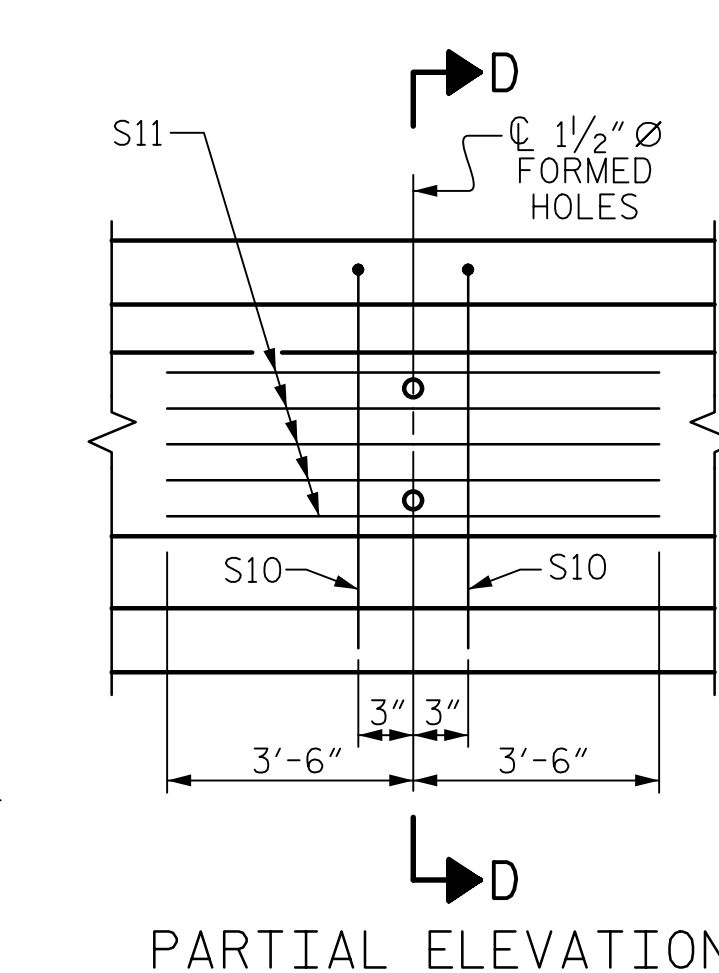
AT END OF GIRDER
 AT C. OF GIRDER
 0.6" Ø LOW RELAXATION STRAND LAYOUT



PLAN OF GIRDER



ELEVATION OF GIRDER
 (SEE PARTIAL ELEVATION FOR ADDITIONAL "S" BARS)
 (SPAN A SHOWN, SPAN E SIMILAR BUT OPPOSITE)



PARTIAL ELEVATION
 SHOWING INTERMEDIATE DIAPHRAGM
 REINFORCING STEEL FOR GIRDERS

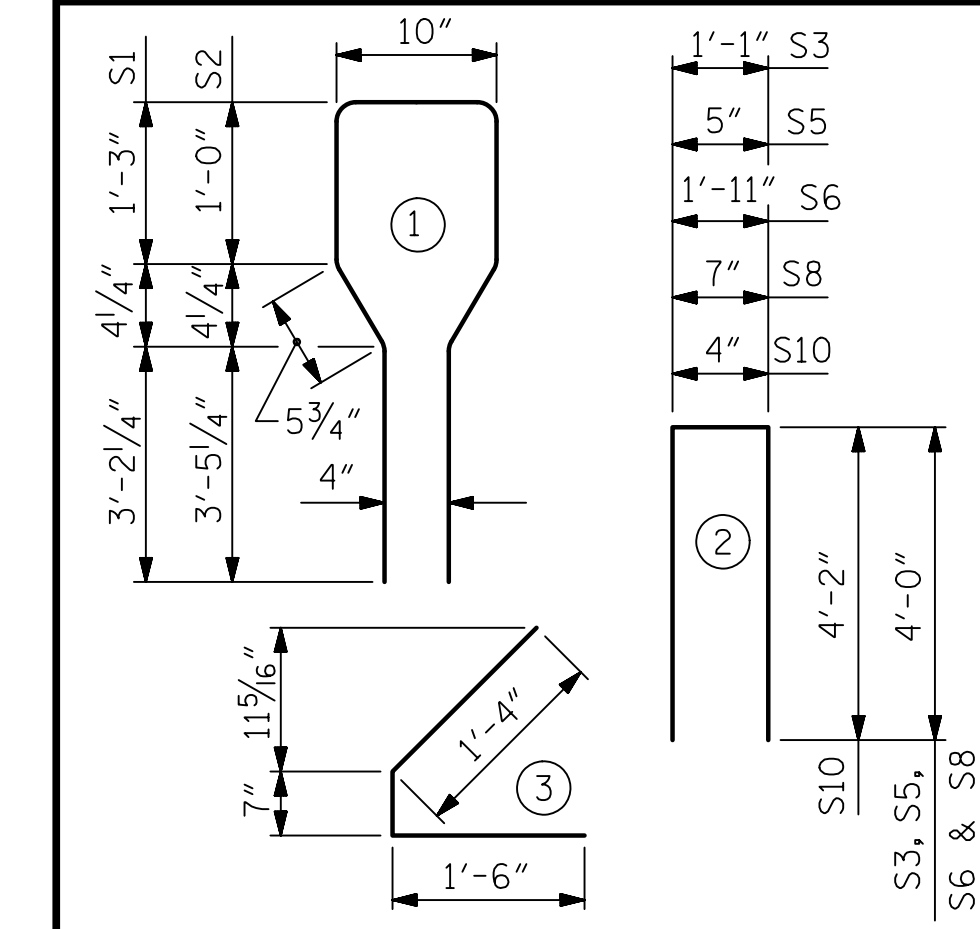
0.6" Ø L. R. GRADE 270 STRANDS		
AREA (SQUARE INCHES)	ULTIMATE STRENGTH (LBS. PER STRAND)	APPLIED PRESTRESS (LBS. PER STRAND)
0.217	58,600	43,950

REINFORCING STEEL FOR ONE GIRDER					
BAR	NUMBER	SIZE	TYPE	LENGTH	WEIGHT
S1	65	#4	1	10'-8"	463
S2	12	#4	1	10'-8"	192
S3	4	#4	2	9'-1"	24
S4	64	#4	3	3'-5"	146
S5	6	#4	2	8'-5"	34
S6	1	#4	2	9'-11"	7
* S7	12	#5	STR	3'-8"	46
S8	4	#4	2	8'-7"	23
S9	1	#3	STR	1'-10"	1
S10	2	#5	2	8'-8"	18
S11	5	#4	STR	7'-0"	23
S13	1	#3	STR	1'-4"	1

* NOTE: S7 BARS SHALL BE BENT BEFORE SHIPMENT. HEAT BENDING SHALL NOT BE ALLOWED.

BAR TYPES

ALL BAR DIMENSIONS ARE OUT-TO-OUT



QUANTITIES FOR ONE GIRDER

REINFORCING STEEL	8500 PSI CONCRETE	0.6" Ø L. R. STRANDS
LB.	C.Y.	No.
978	21.1	34

GIRDERS REQUIRED

NUMBER	LENGTH	TOTAL LENGTH
10	103'-11"	1039'-2"

PROJECT NO. B-4407
 ANSON/STANLY COUNTY
 STATION: 32+31.61 -L-

SHEET 1 OF 6

STATE OF NORTH CAROLINA
 DEPARTMENT OF TRANSPORTATION
 RALEIGH
 STANDARD
 AASHTO TYPE IV
 PRESTRESSED CONCRETE GIRDER
 CONTINUOUS FOR LIVE LOAD
 (SPANS A AND E)

REVISIONS						SHEET NO.
NO.	BY:	DATE:	NO.	BY:	DATE:	S-16
1			3			TOTAL SHEETS 45
2			4			

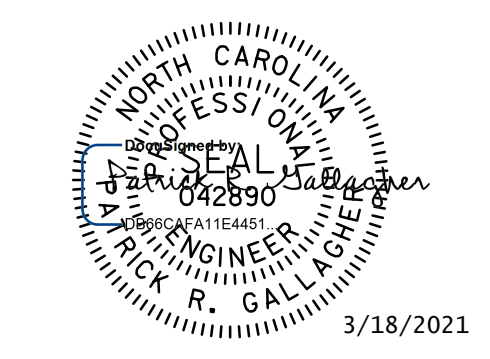
W&M V&M Transportation 03/30/09 B4407 Structures Final Plans V03.LB-4407-SMUL.GDR.LS16.dgn
 DATE: 04:50 PM on Monday, February 08, 2021

DRAWN BY : ELR 8/91	REV. 10/1/11	MAA/GM
CHECKED BY : GRP 8/91	REV. 1/15	MAA/TMG
	REV. 12/17	MAA/THC

DOCUMENT NOT CONSIDERED
 FINAL UNLESS ALL
 SIGNATURES COMPLETED

DWN. BY: WDC	DATE: 10/2020
CHKD. BY: PRG	DATE: 10/2020
DES. EGR. OF RECORD: PRG	DATE: 10/2020

V&M
 Vaughn & Melton
 Consulting Engineers
 Asheville, North Carolina
 828-253-2788



3/18/2021

STD. NO. PCG6