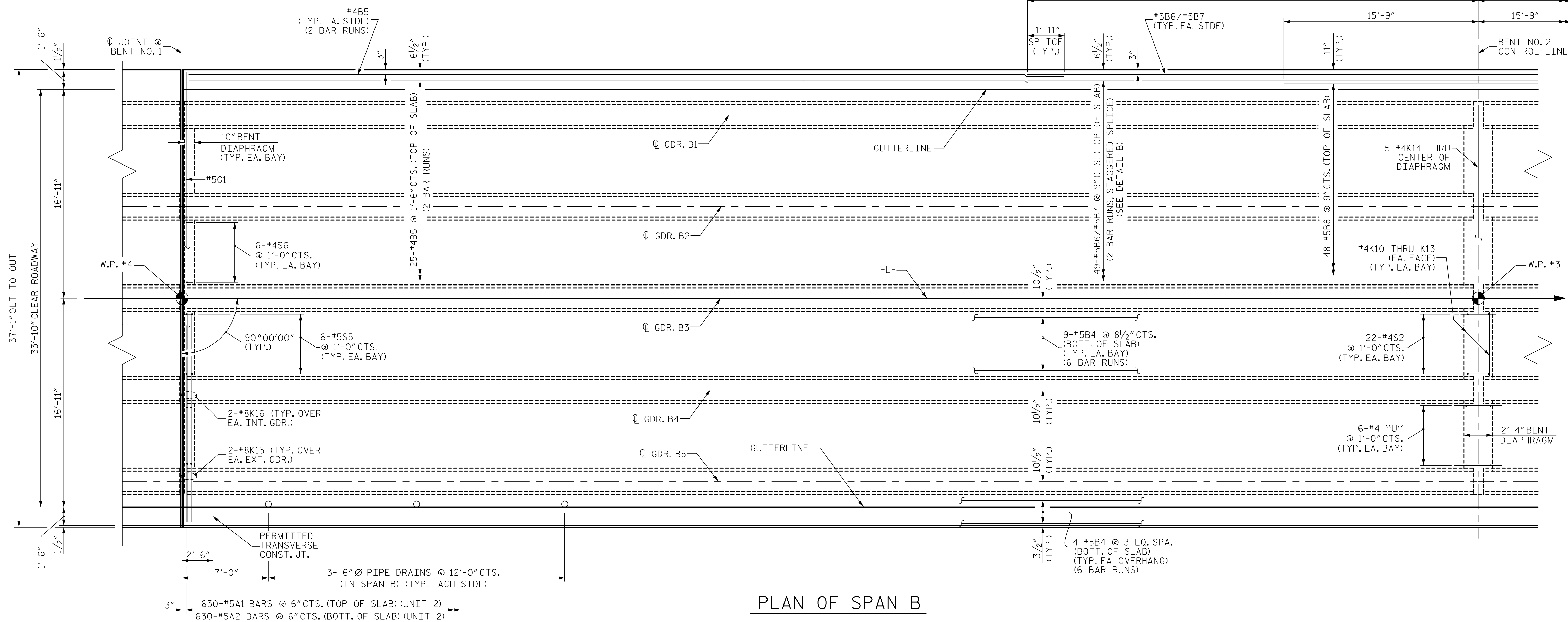


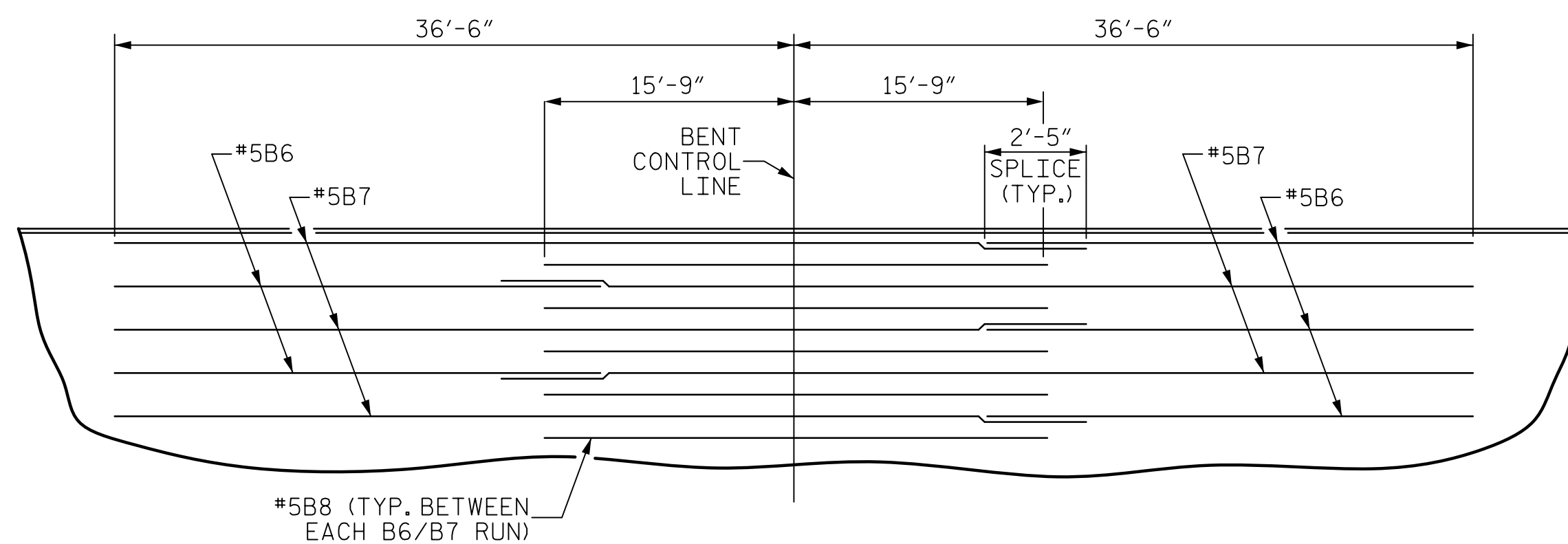
525'-0" TOTAL LENGTH OF BRIDGE (FILL FACE TO FILL FACE)

315'-0" UNIT 2 (CL JOINT @ BENT 1 TO CL JOINT @ BENT 4)

105'-0" (SPAN B)



PLAN OF SPAN B



DETAIL "B"

ALTERNATE THE PLACEMENT OF B6 AND B7 BARS AT EACH SPACING TO STAGGER THE SPLICES ON EACH SIDE OF THE BENT CONTROL LINE

PROJECT NO. B-4407  
ANSON/STANLY COUNTY  
 STATION: 32+31.61 -L-

SHEET 2 OF 5

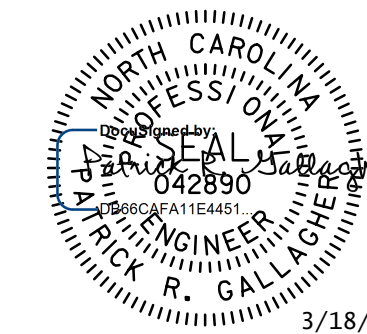
STATE OF NORTH CAROLINA  
 DEPARTMENT OF TRANSPORTATION  
 RALEIGH

SUPERSTRUCTURE  
 PLAN OF SPAN B

**V&M**  
 Vaughn & Melton  
 Consulting Engineers  
 Asheville, North Carolina  
 828-253-2788

Boone, NC 828-355-9933  
 Tri-Cities, TN 423-467-8401  
 Knoxville, TN 865-546-5800  
 Spartanburg, SC 864-574-4775  
 Charleston, SC 843-974-5650  
 Middleboro, KY 506-248-6500  
 Charlotte, NC 704-357-0488  
 Atlanta, GA 770-627-3590

Copyright © 2006 Vaughn & Melton, Inc. All Rights Reserved



DOCUMENT NOT CONSIDERED  
 FINAL UNLESS ALL  
 SIGNATURES COMPLETED

DWN. BY: WDC DATE: 10/2020  
 CHKD. BY: PRG DATE: 10/2020  
 DES. EGR. OF RECORD: PRG DATE: 10/2020

REVISIONS						SHEET NO.
NO.	BY:	DATE:	NO.	BY:	DATE:	S-10
1			3			TOTAL SHEETS 45
2			4			

W:\Projects\Transportation\3230-09\_B4407\Structures\Final Plans\019\_B-4407\_SNU\_FS02\_S10.dgn  
 DATE: 05/22/21 05:22 PM on Friday, February 05, 2021  
 TIME: 05:22 PM