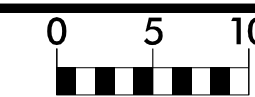


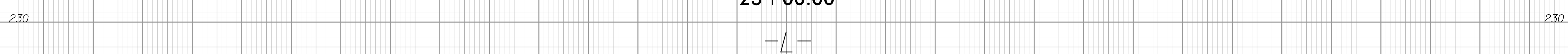
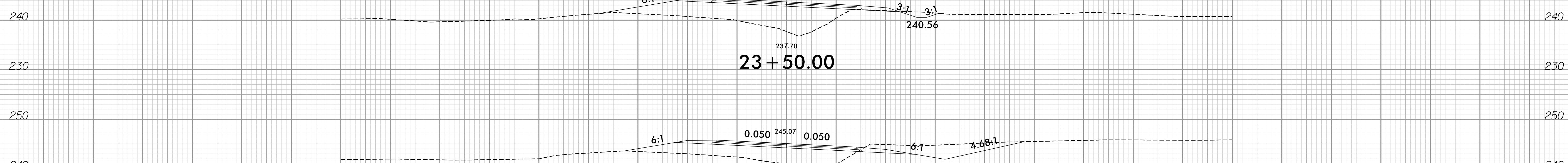
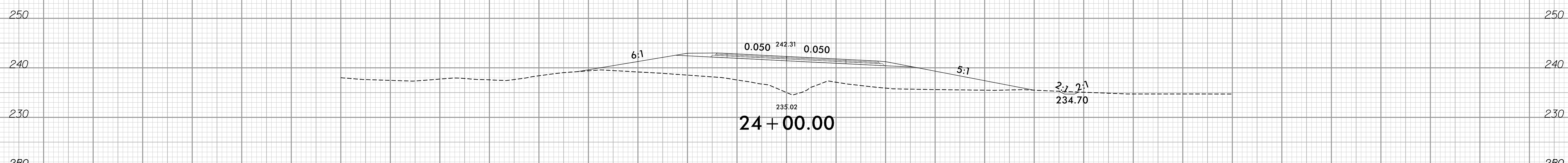
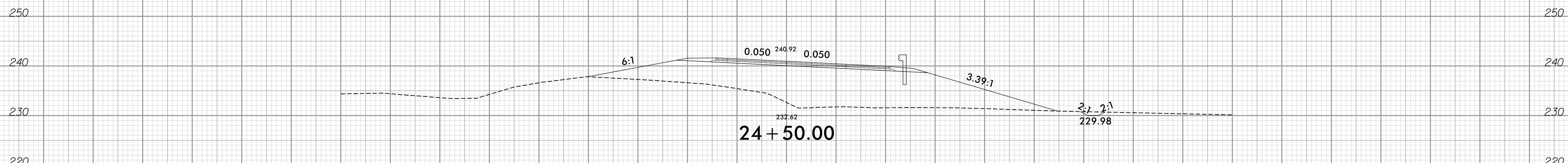
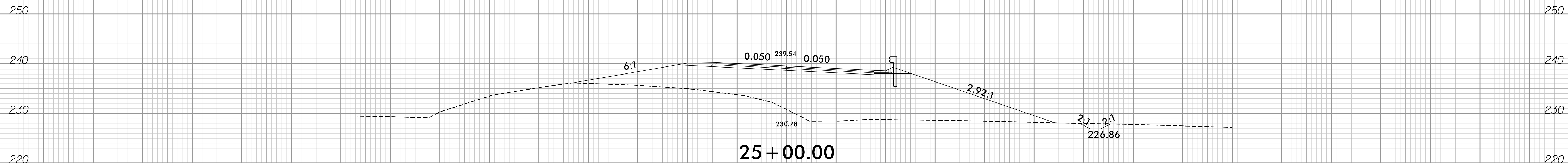
6/23/16



PROJ. REFERENCE NO.
B-4407

SHEET NO.
X-5

90 80 70 60 50 40 30 20 10 0 10 20 30 40 50 60 70 80 90



90 80 70 60 50 40 30 20 10 0 10 20 30 40 50 60 70 80 90

9/2/2020 10:21:19 AM
\\XSC\B4407_rdy_xpl.L.dgn
User:Riddovos