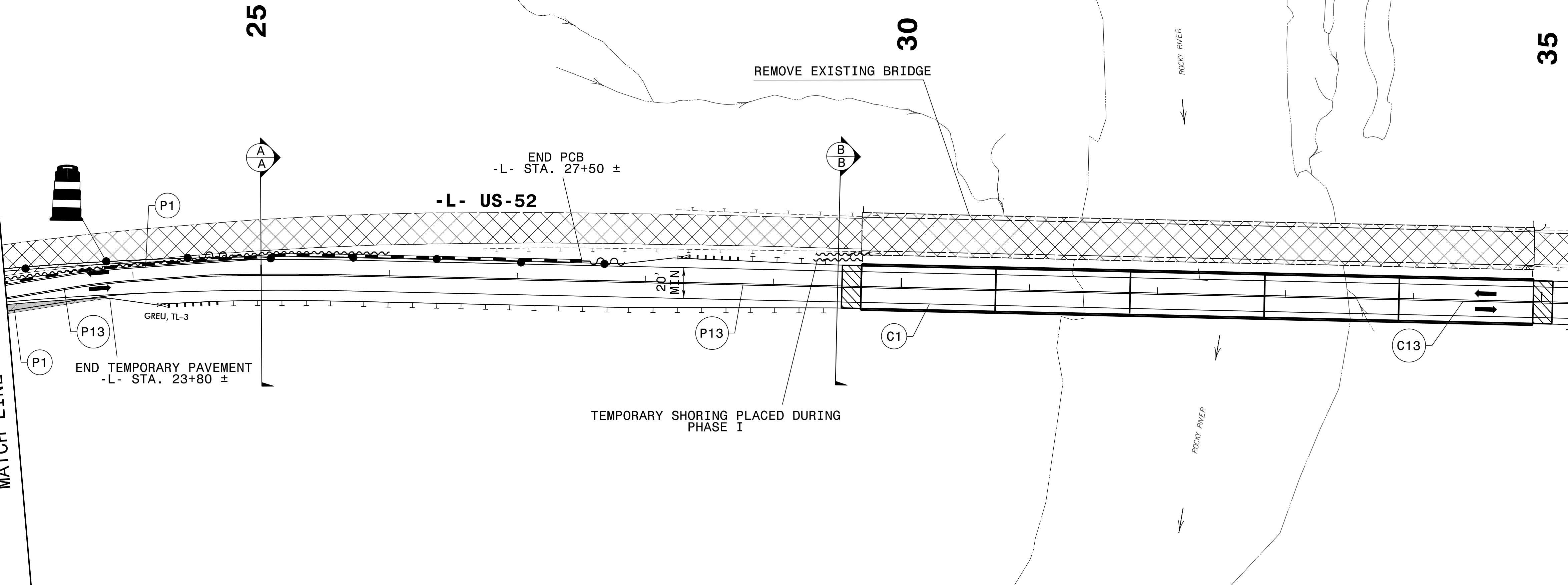


NOTE: SEE RSD 1101.01 SHEET 3 OF 3 FOR ADVANCED WARNING SIGNS AND SPACING

PROJ. REFERENCE NO.	SHEET NO.
B-4407	TMP-9

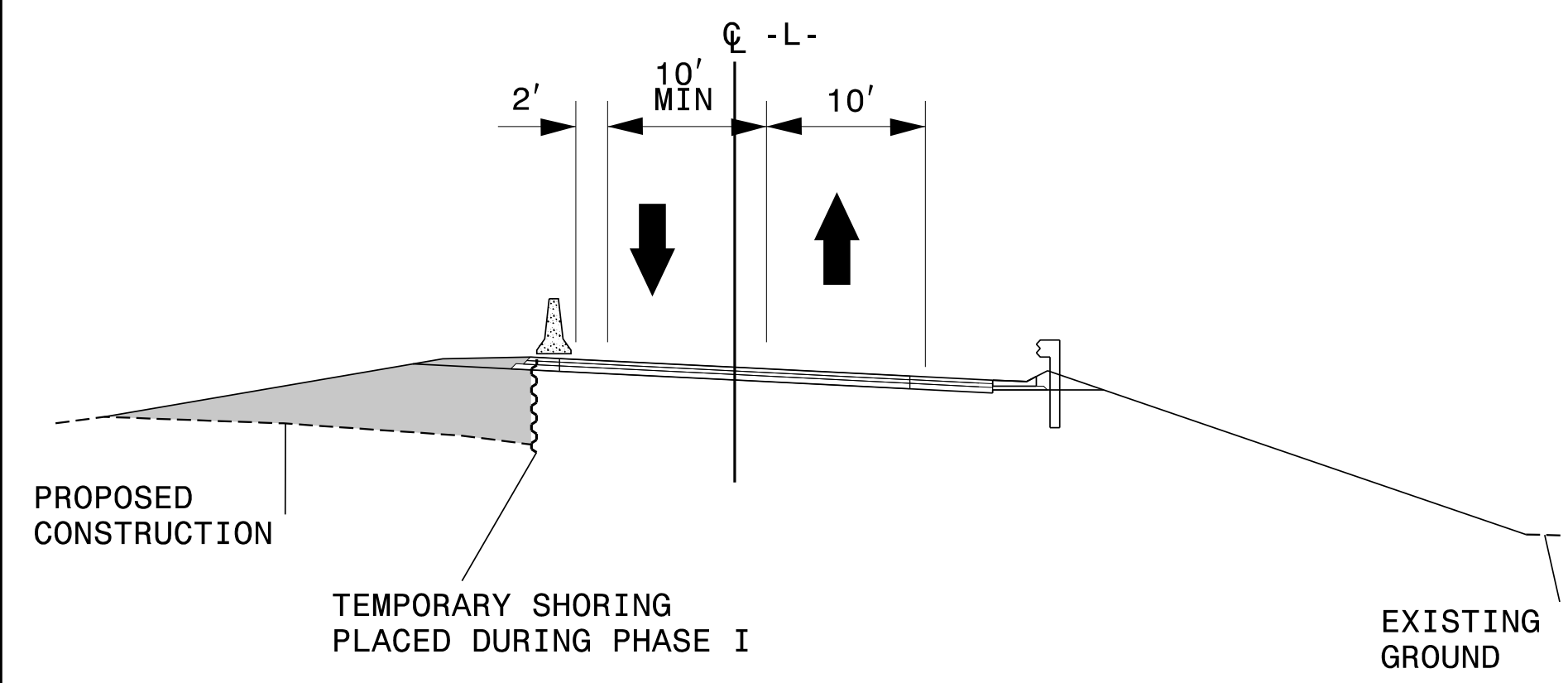
MATCH LINE -L- STA. 23+00.00 SEE TMP-8

MATCH LINE -L- STA. 35+50.00 SEE TMP-10



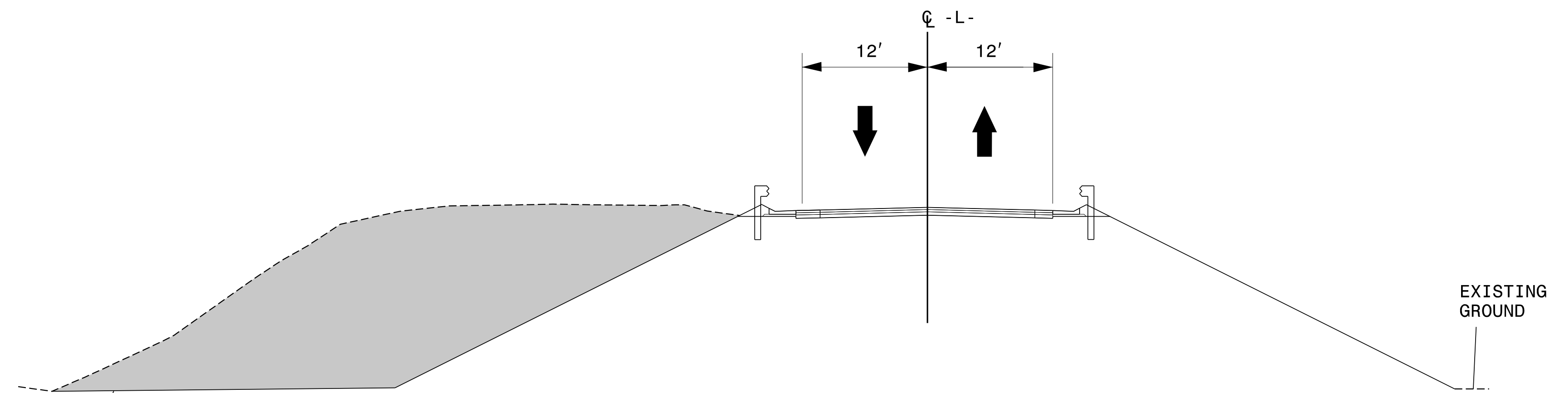
### SECTION A-A

25+00



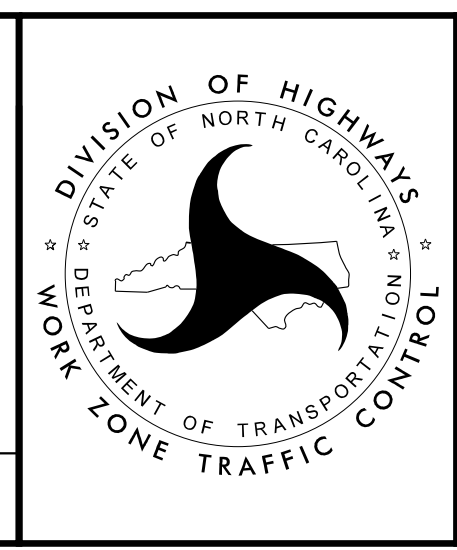
### SECTION B-B

29+50



4/9/2021 10:32:26 PM  
...B4407\_TMP-9.dgn  
User:cmfitzpattick

APPROVED: *Lloyd D. Brown*  
 DATE: 4/9/2021  
 SEAL  
 DOCUMENT NOT CONSIDERED FINAL UNLESS ALL SIGNATURES COMPLETED



TEMPORARY TRAFFIC CONTROL PHASE II DETAIL