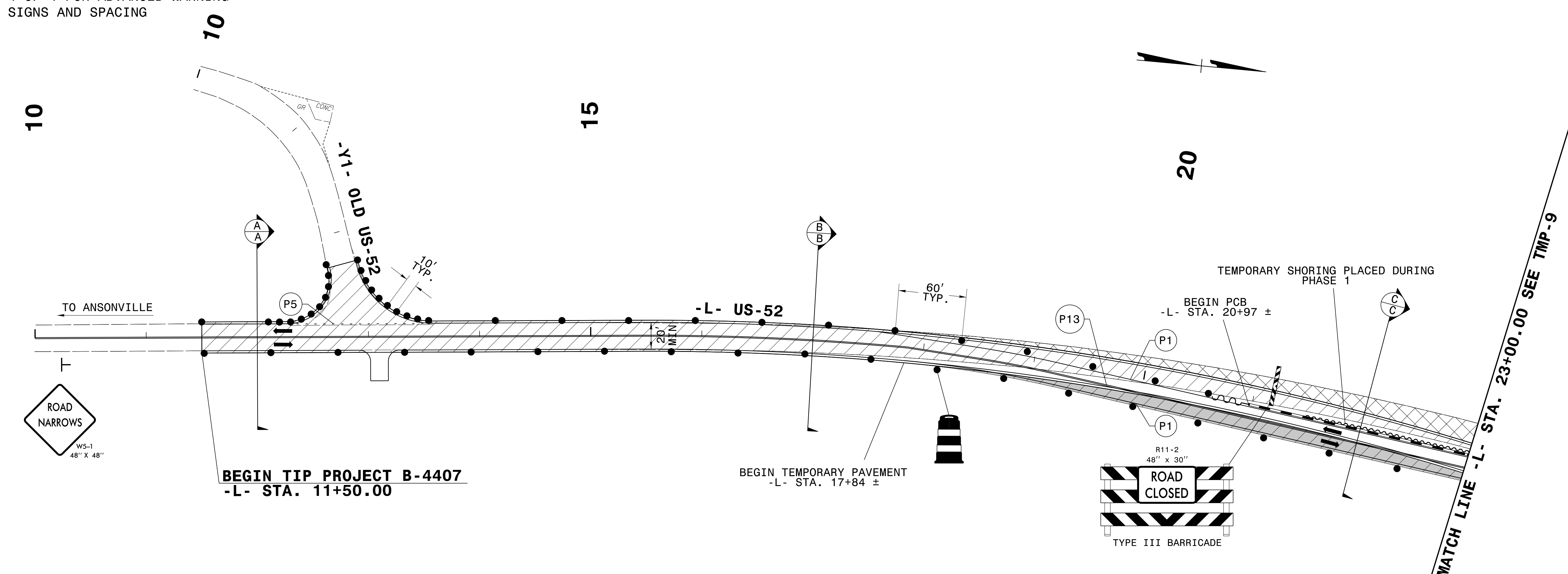


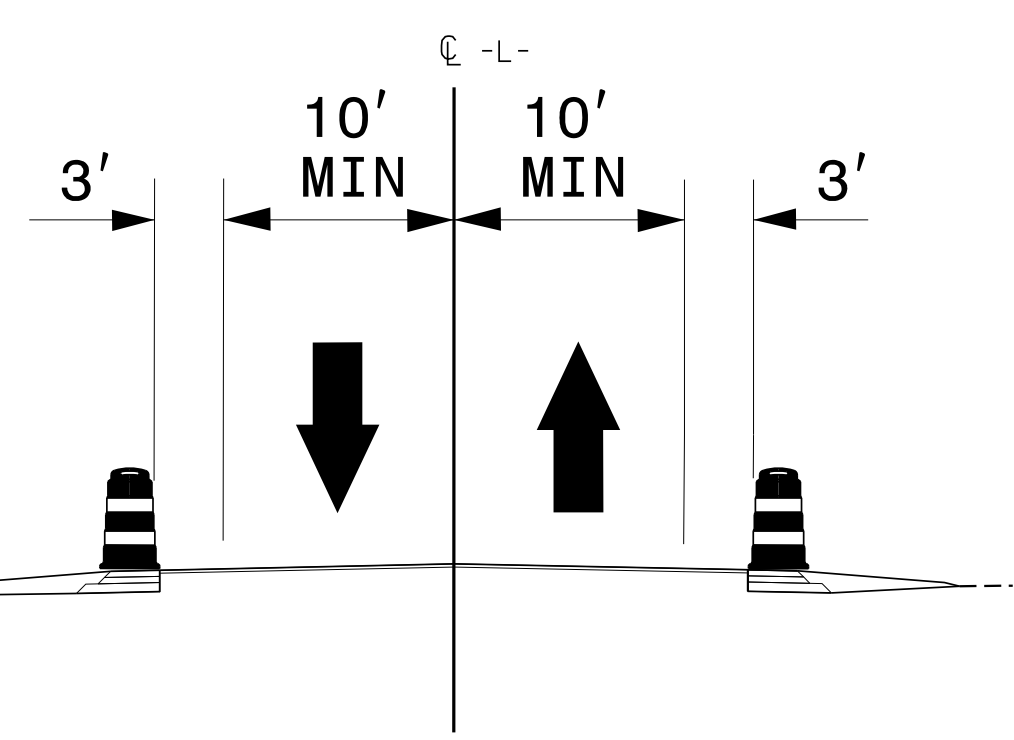
NOTE: SEE RSD 1101.01 SHEET 3  
OF 3 AND RSD 1101.11 SHEET  
4 OF 4 FOR ADVANCED WARNING  
SIGNS AND SPACING



### SECTION A-A

12+00

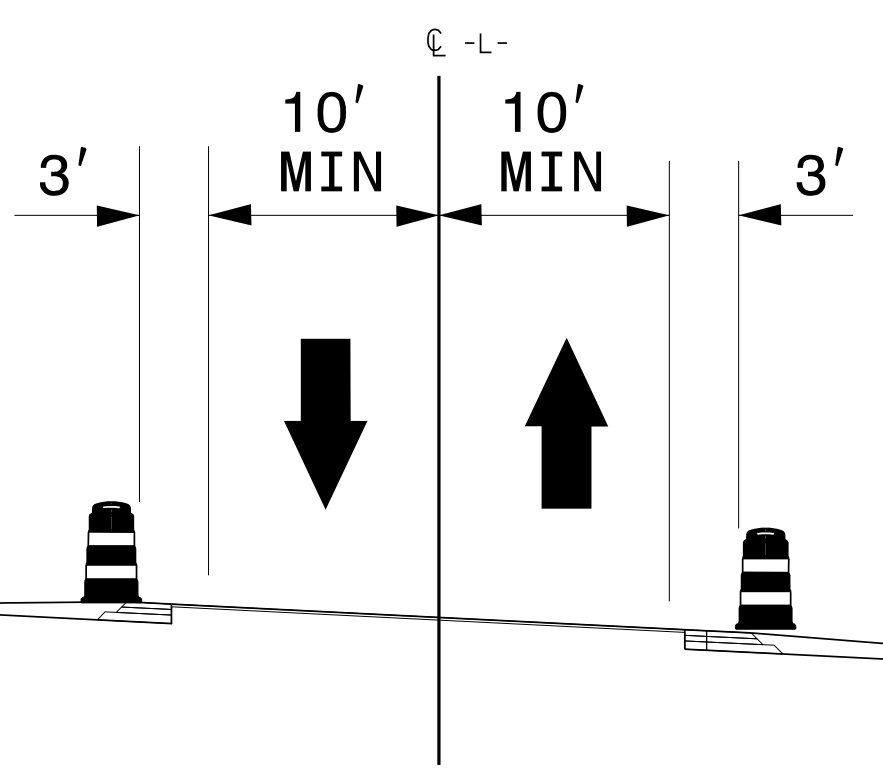
TWO-LANE  
TWO-WAY  
TRAFFIC



### SECTION B-B

17+00

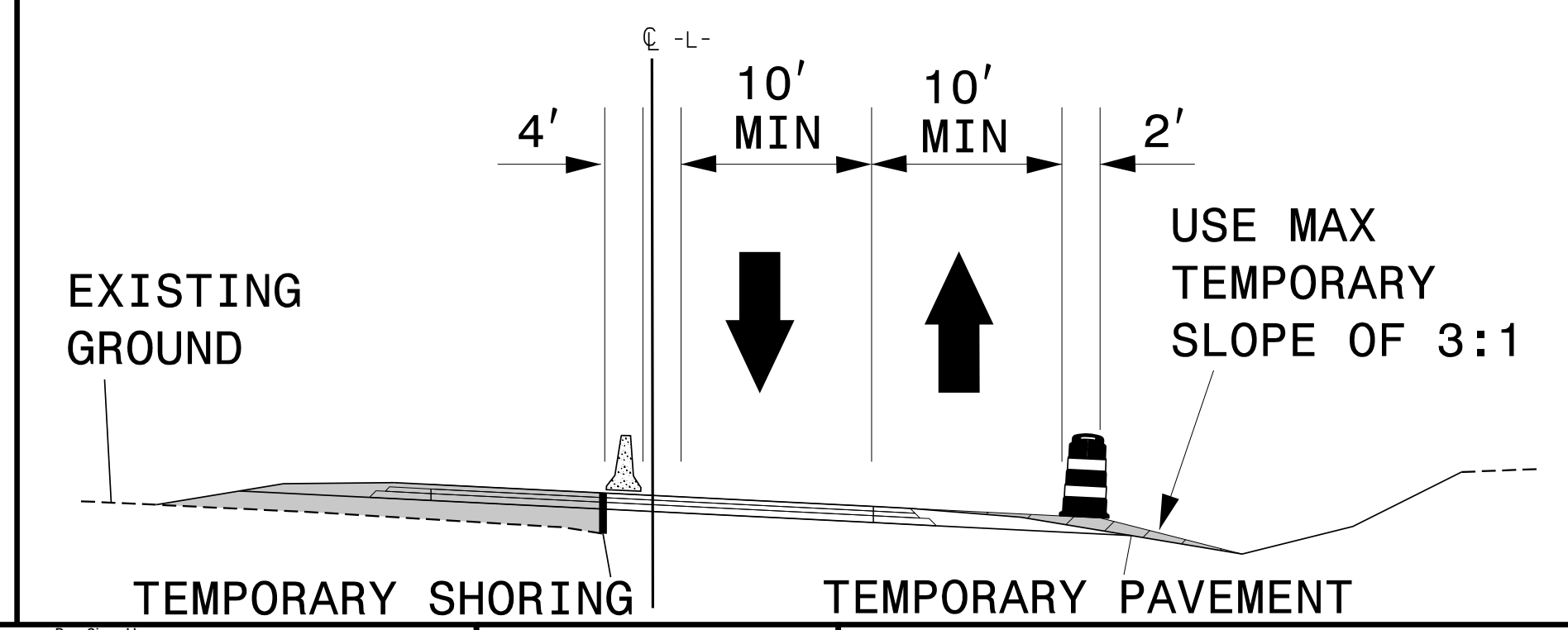
TWO-LANE  
TWO-WAY  
TRAFFIC



### SECTION C-C

22+00

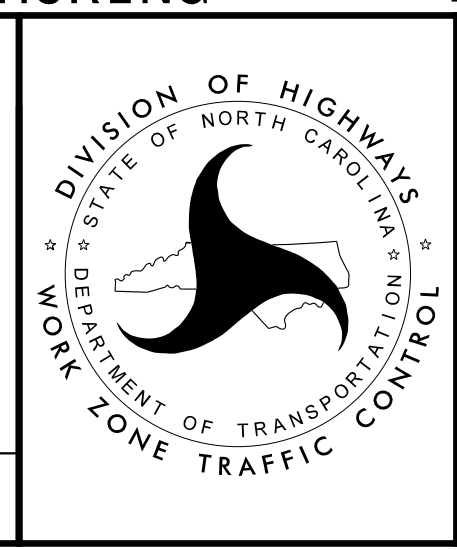
TWO-LANE  
TWO-WAY  
TRAFFIC



APPROVED: *Lloyd D. Brown*  
DATE: 4/9/2021

SEAL

DOCUMENT NOT CONSIDERED FINAL  
UNLESS ALL SIGNATURES COMPLETED



TEMPORARY TRAFFIC CONTROL PHASE II DETAIL

4/9/2021 2:30:18 PM  
...B4407-TMP-8.dgn  
User:cmfitzpatrick