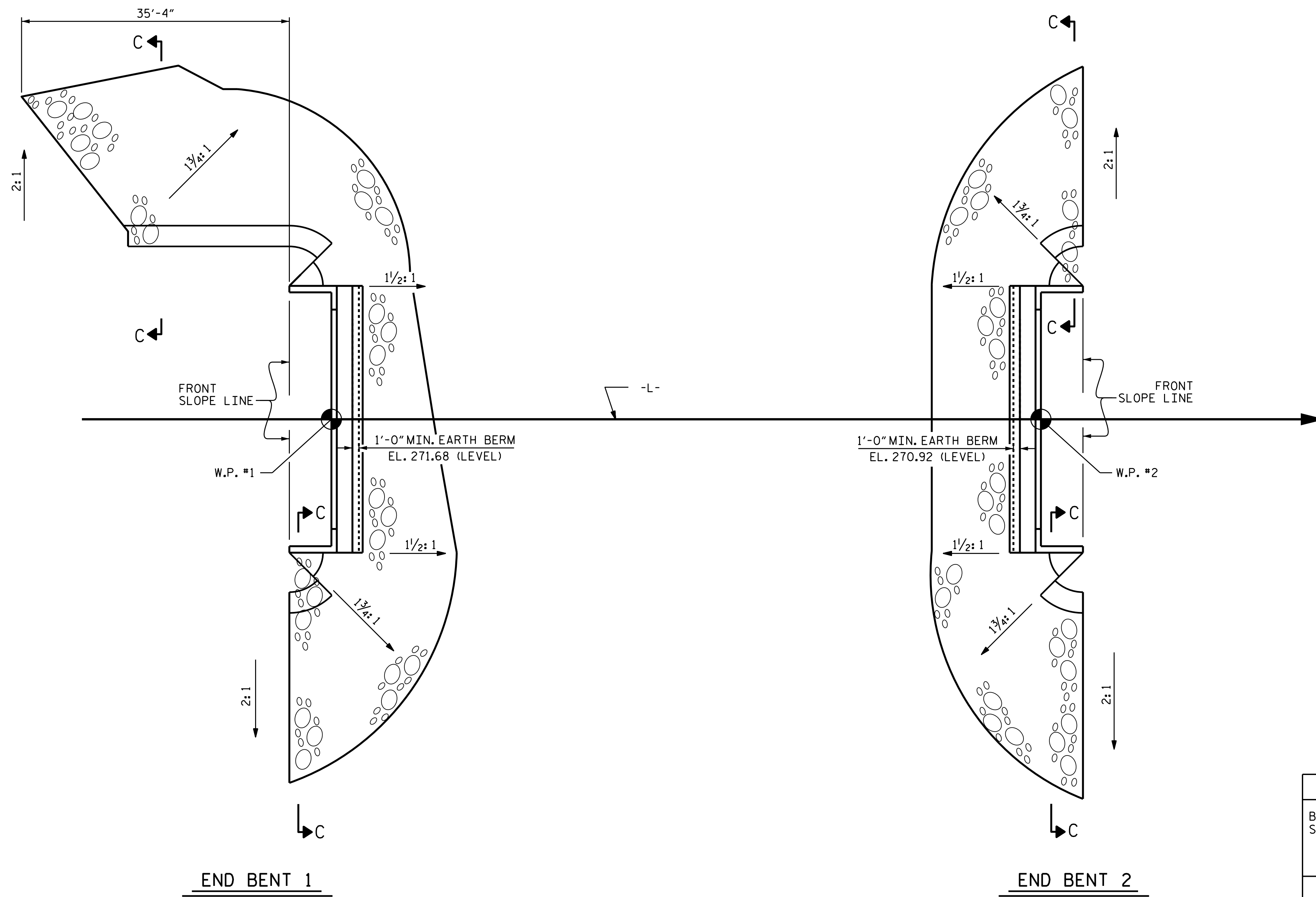


NOTES :
FOR BERM WIDTH DIMENSIONS, SEE GENERAL DRAWING.

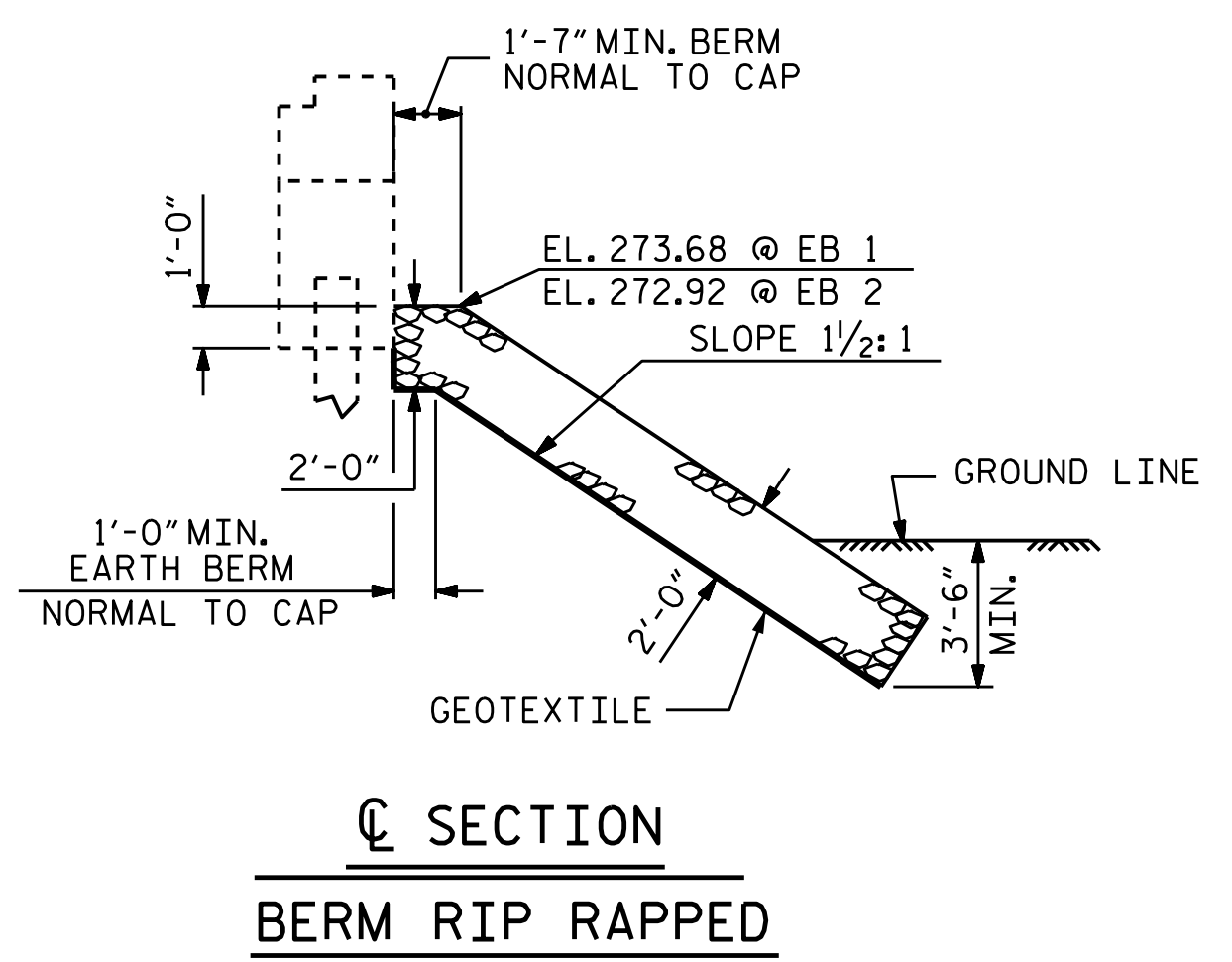


END BENT 1

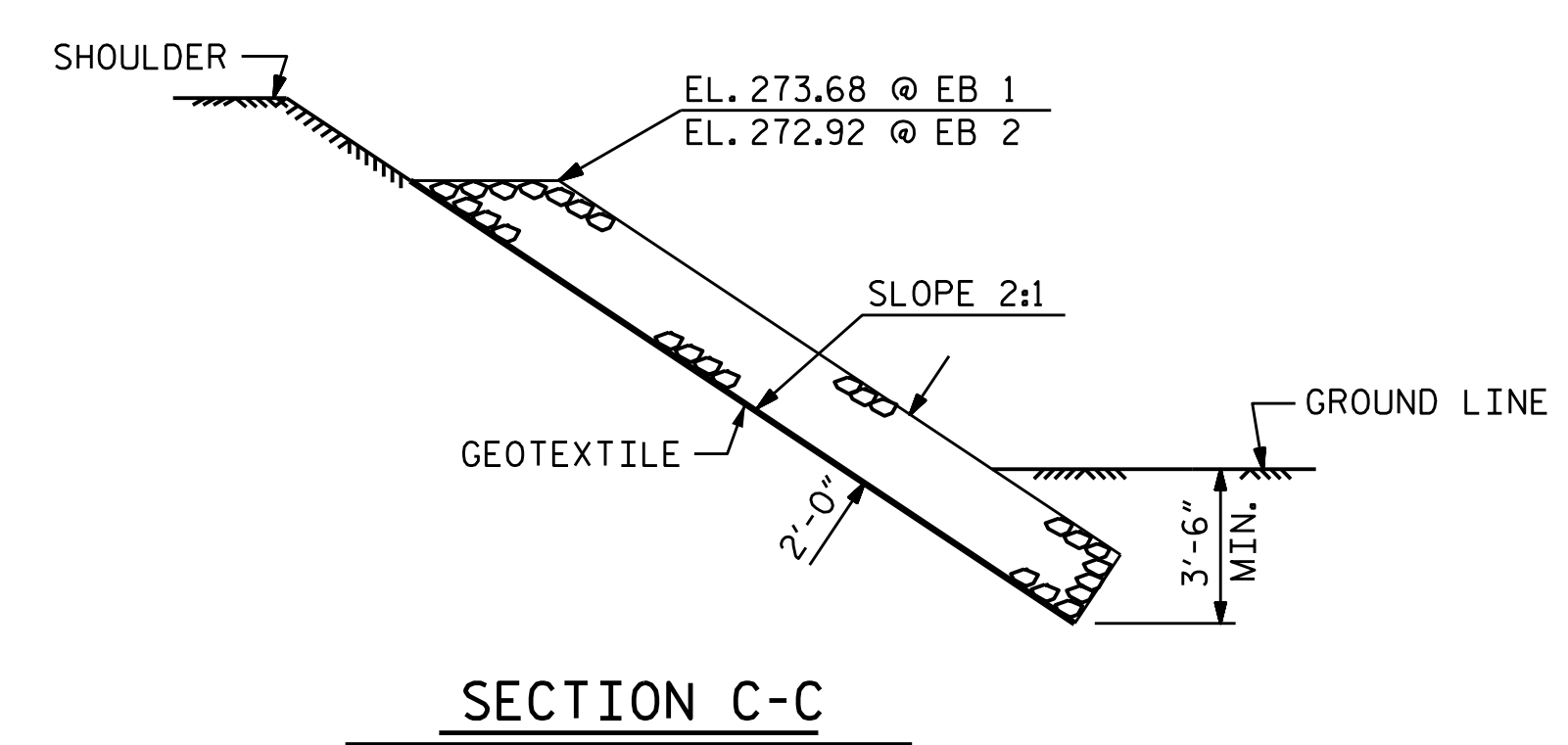
END BENT 2

PLAN

ESTIMATED QUANTITIES		
BRIDGE @ STA. 27+79.00 -L-	RIP RAP CLASS II (2'-0" THICK)	GEOTEXTILE FOR DRAINAGE
	TONS	SQUARE YARDS
END BENT 1	330	367
END BENT 2	290	322

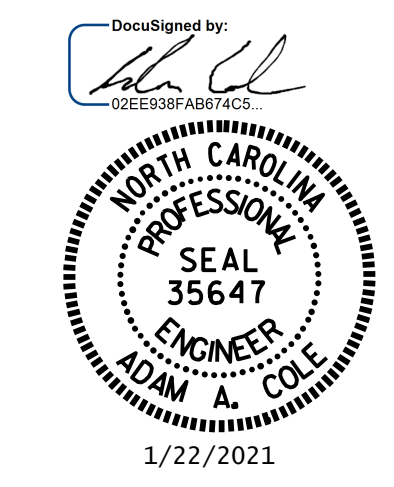


SECTION
BERM RIP RAPPED



SECTION C-C

PROJECT NO. B-5818
ANSON COUNTY
STATION: 27+79.00 -L-



STATE OF NORTH CAROLINA
DEPARTMENT OF TRANSPORTATION
RALEIGH

RIP RAP DETAILS

DRAWN BY : M. G. SHAIKH DATE : 01/2020
CHECKED BY : H. LOCKLEAR DATE : 02/2020
DESIGN ENGINEER OF RECORD: REZA KAUCHEKI DATE : 11/2019

DOCUMENT NOT CONSIDERED
FINAL UNLESS ALL
SIGNATURES COMPLETED

REVISIONS						SHEET NO.
NO.	BY:	DATE:	NO.	BY:	DATE:	S-22
1			3			TOTAL SHEETS
2			4			24