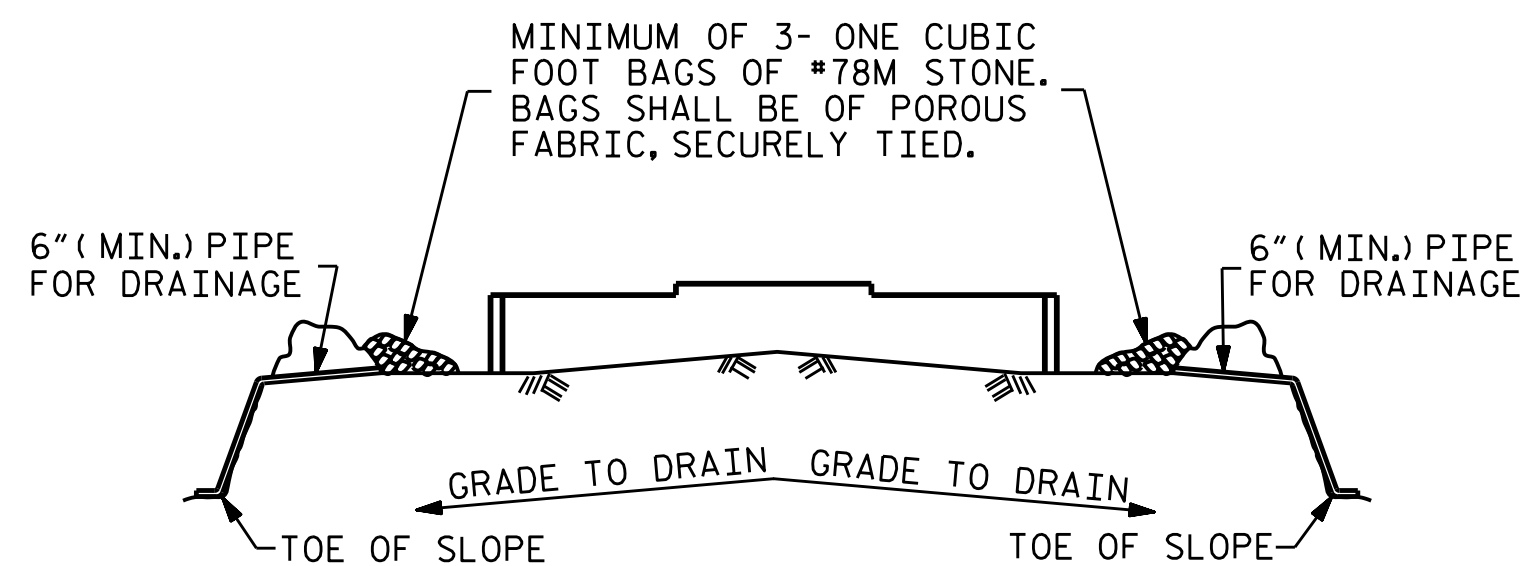


SECTION A-A



BAGGED STONE AND PIPE SHALL BE PLACED IMMEDIATELY AFTER COMPLETION OF END BENT EXCAVATION. PIPE MAY BE EITHER CONCRETE, CORRUGATED STEEL, CORRUGATED ALUMINUM ALLOY, OR CORRUGATED PLASTIC. PERFORATED PIPE WILL NOT BE ALLOWED.

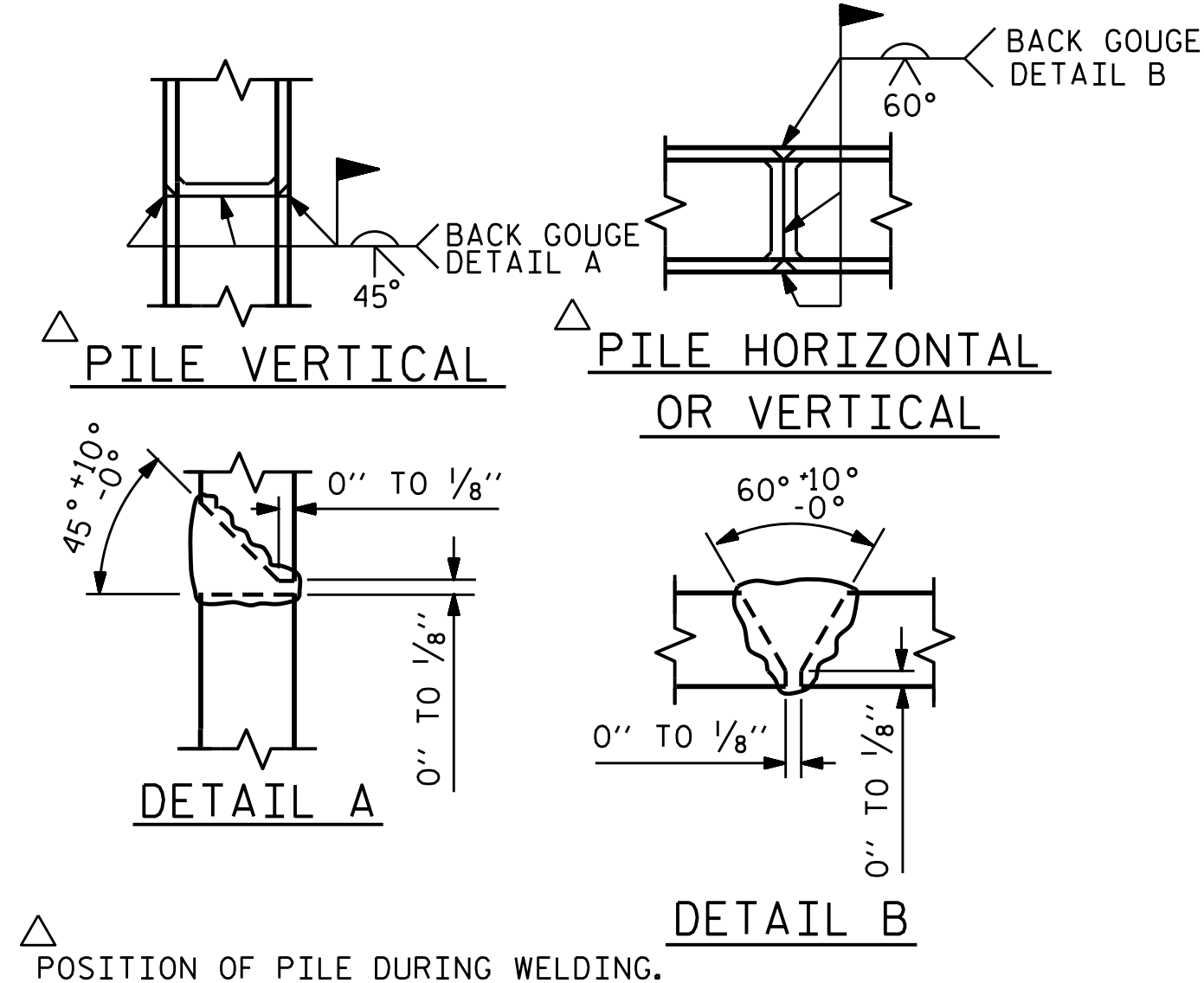
BAGGED STONE SHALL REMAIN IN PLACE UNTIL THE ENGINEER DIRECTS THAT IT BE REMOVED. THE CONTRACTOR SHALL REMOVE AND DISPOSE OF SILT ACCUMULATIONS AT BAGGED STONE WHEN SO DIRECTED BY THE ENGINEER. BAGS SHALL BE REMOVED AND REPLACED WHENEVER THE ENGINEER DETERMINES THAT THEY HAVE DETERIORATED AND LOST THEIR EFFECTIVENESS.

NO SEPARATE PAYMENT WILL BE MADE FOR THIS WORK AND THE ENTIRE COST OF THIS WORK SHALL BE INCLUDED IN THE UNIT CONTRACT PRICE BID FOR THE SEVERAL PAY ITEMS.

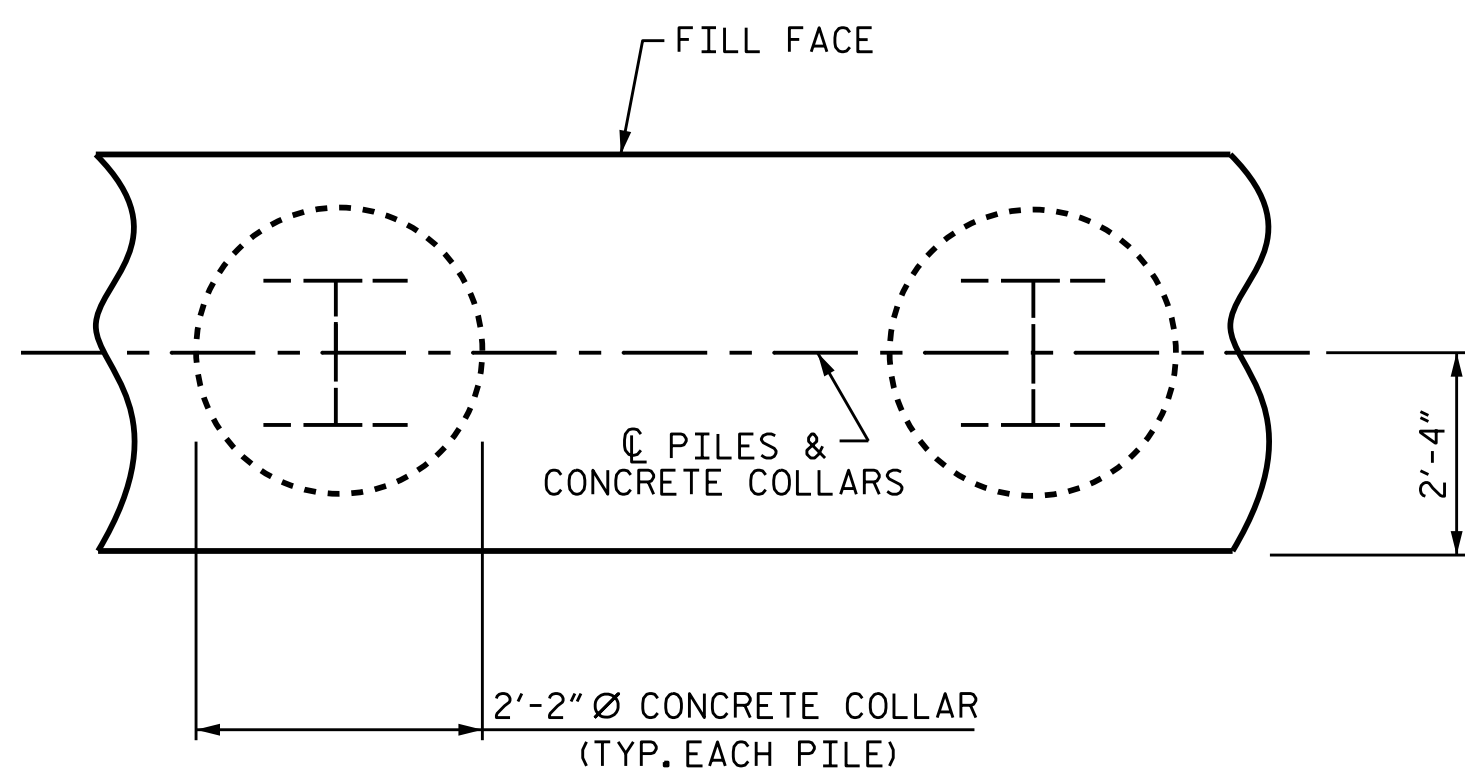
TEMPORARY DRAINAGE AT END BENT

DRAWN BY : M. G. SHAIKH DATE : 08/2020
 CHECKED BY : H. A. LOCKLEAR DATE : 09/2020
 DESIGN ENGINEER OF RECORD: REZA KOUCHEKI DATE : 12/2019

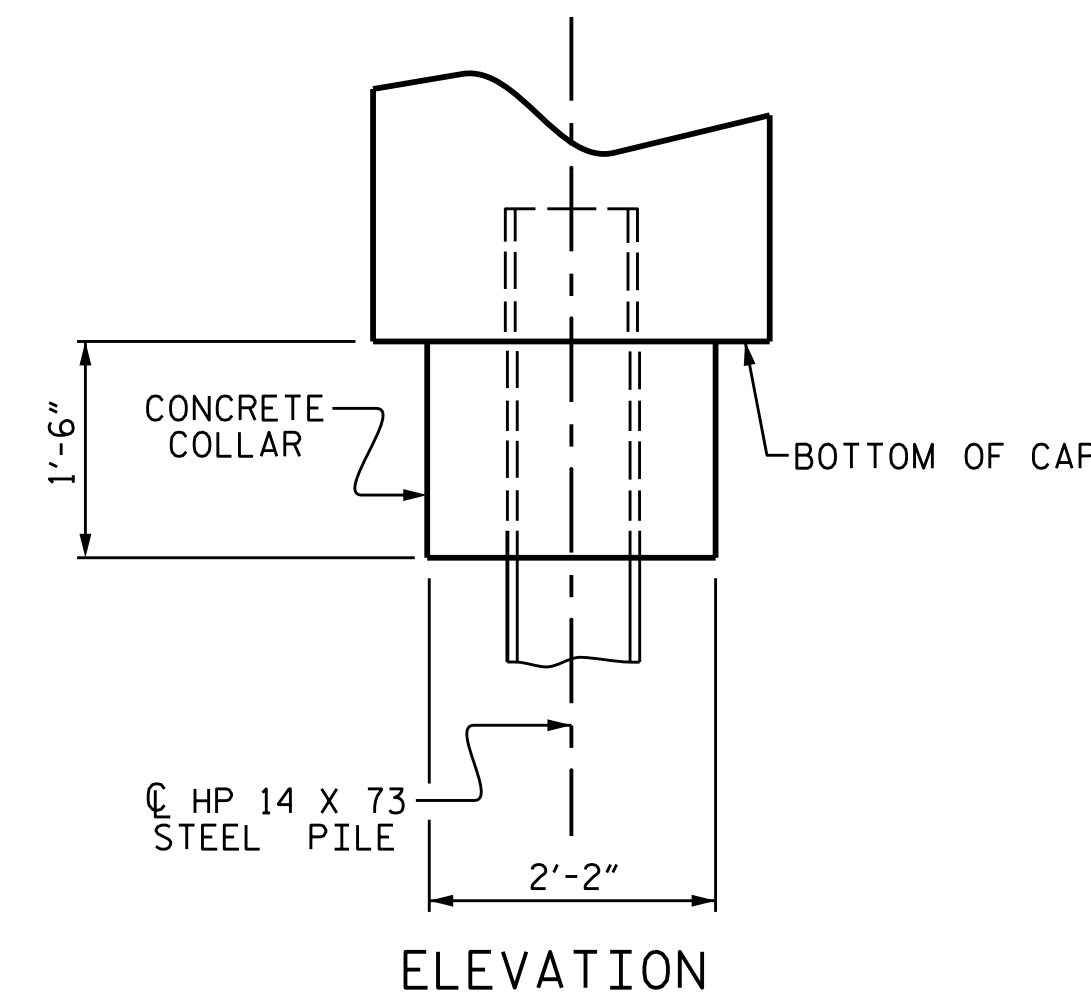
22-JAN-2021 12:21
 R:\Structures\Final Plans\400.043.B-5818.SMU. E2.0021.030011.dgn
 dacoie



PILE SPLICE DETAILS



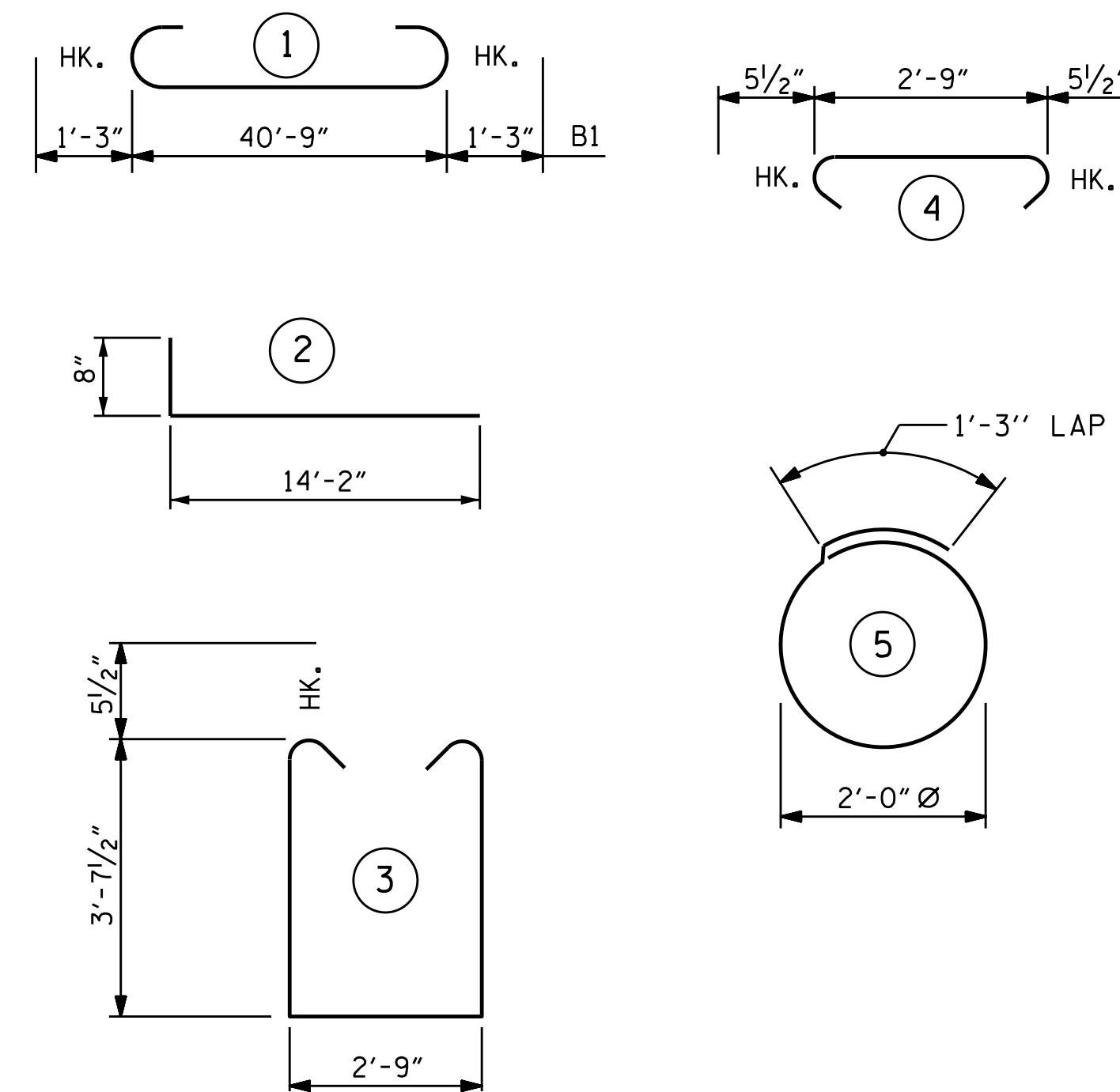
PLAN



ELEVATION

CORROSION PROTECTION FOR STEEL PILES DETAIL

BAR TYPES



ALL BAR DIMENSIONS ARE OUT TO OUT.

BILL OF MATERIAL

BAR	NO.	SIZE	TYPE	LENGTH	WEIGHT
B1	8	#9	1	43'-3"	1176
B2	28	#4	STR	21'-8"	405
B3	10	#4	STR	2'-11"	19
H1	92	#6	2	14'-10"	2050
K1	60	#4	STR	3'-7"	144
S1	36	#5	3	11'-1"	416
S2	36	#5	4	3'-10"	144
S3	28	#4	5	7'-7"	142
V1	44	#4	STR	5'-9"	169
V2	76	#5	STR	11'-1"	879

REINFORCING STEEL = 5544 LBS.

CLASS A CONCRETE

POUR #1 (CAP, CON. COLLARS, & LOWER PART OF WINGS) = 25.5 C.Y.

POUR #2 (UPPER PART OF WINGS) = 9.8 C.Y.

TOTAL = 35.3 C.Y.

HP 14 X 73 STEEL PILES

No. 7 _____ LIN FT. 195

STEEL PILE POINTS _____ NO. 7

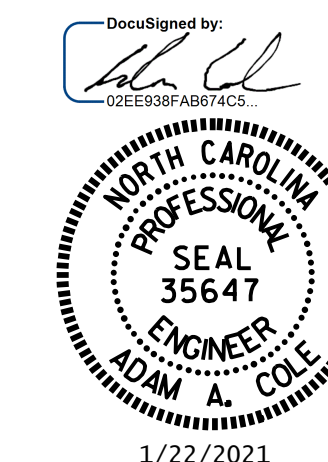
PILE DRIVING EQUIPMENT SETUP FOR HP 14 X 73 STEEL PILES _____ 7 EA.

PROJECT NO. B-5818

ANSON COUNTY

STATION: 27+19.00 -L-

SHEET 3 OF 3



STATE OF NORTH CAROLINA
 DEPARTMENT OF TRANSPORTATION
 RALEIGH

SUBSTRUCTURE
 INTEGRAL
 END BENT 2

REVISIONS

NO.	BY:	DATE:	NO.	BY:	DATE:
1			3		
2			4		

SHEET NO.
S-21

TOTAL SHEETS
24

DOCUMENT NOT CONSIDERED
 FINAL UNLESS ALL
 SIGNATURES COMPLETED