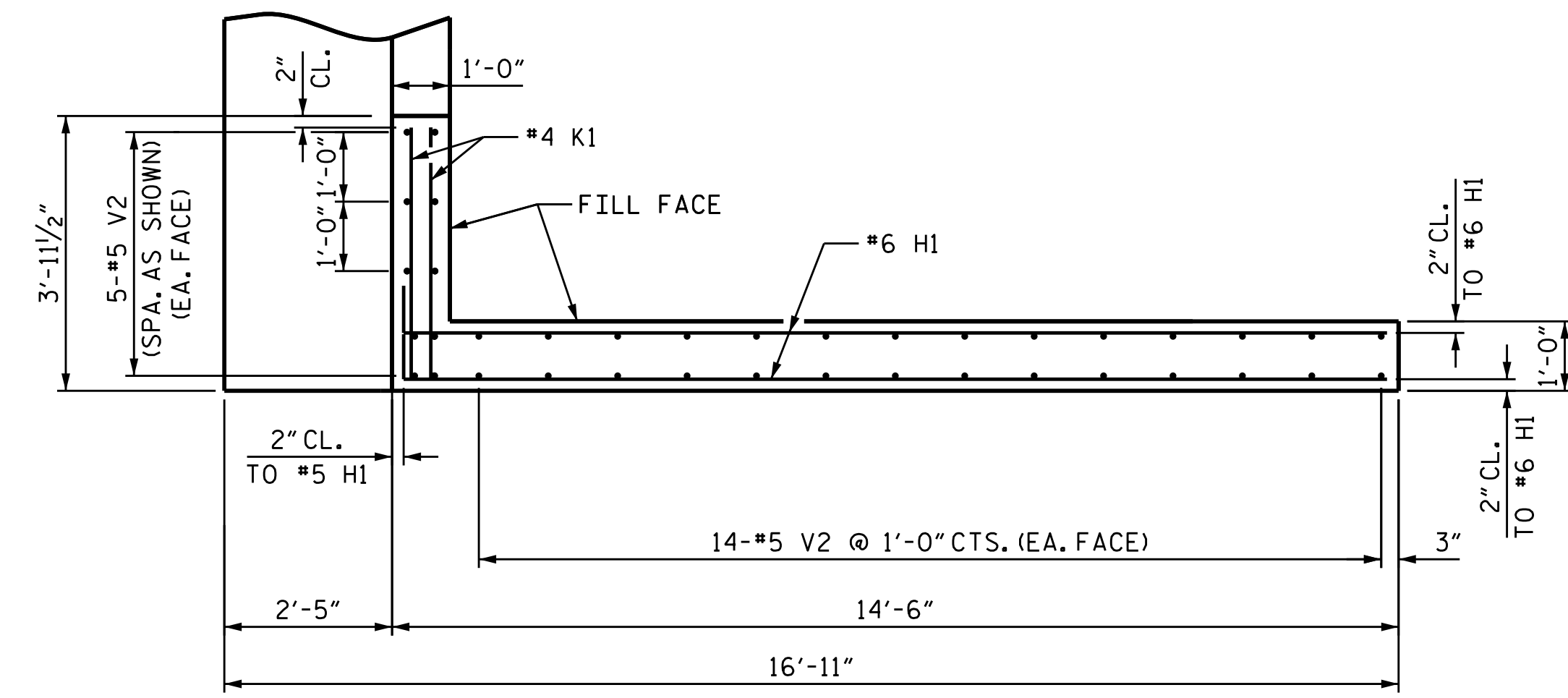
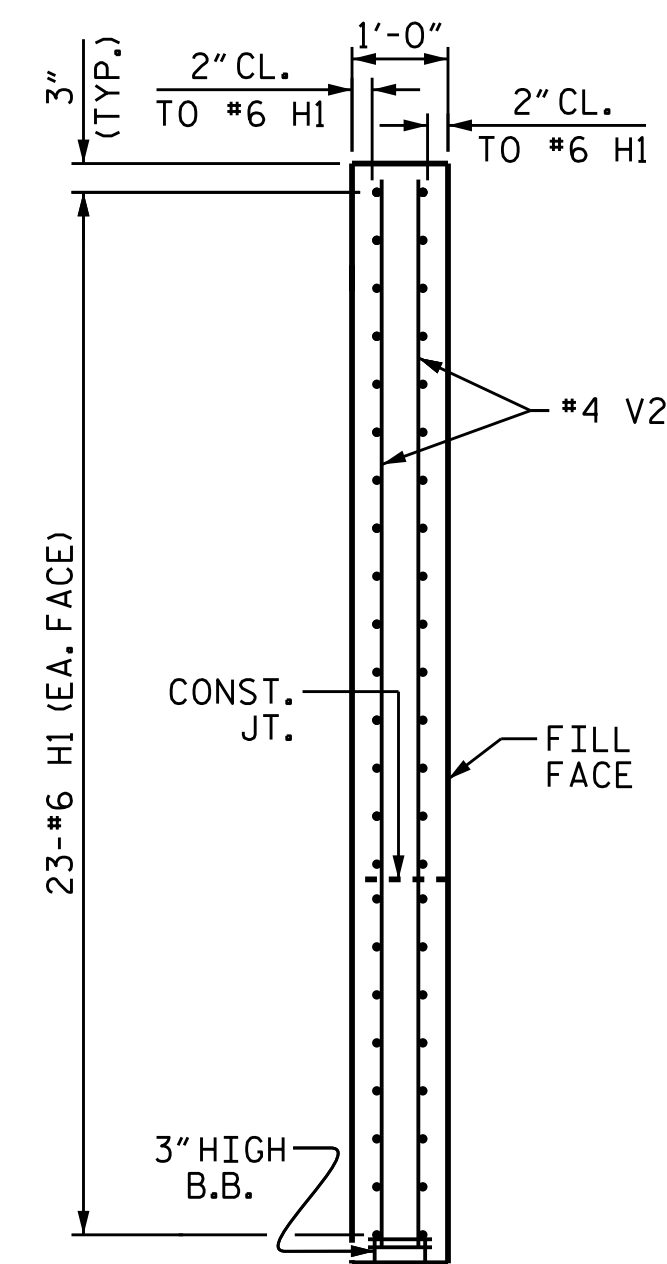


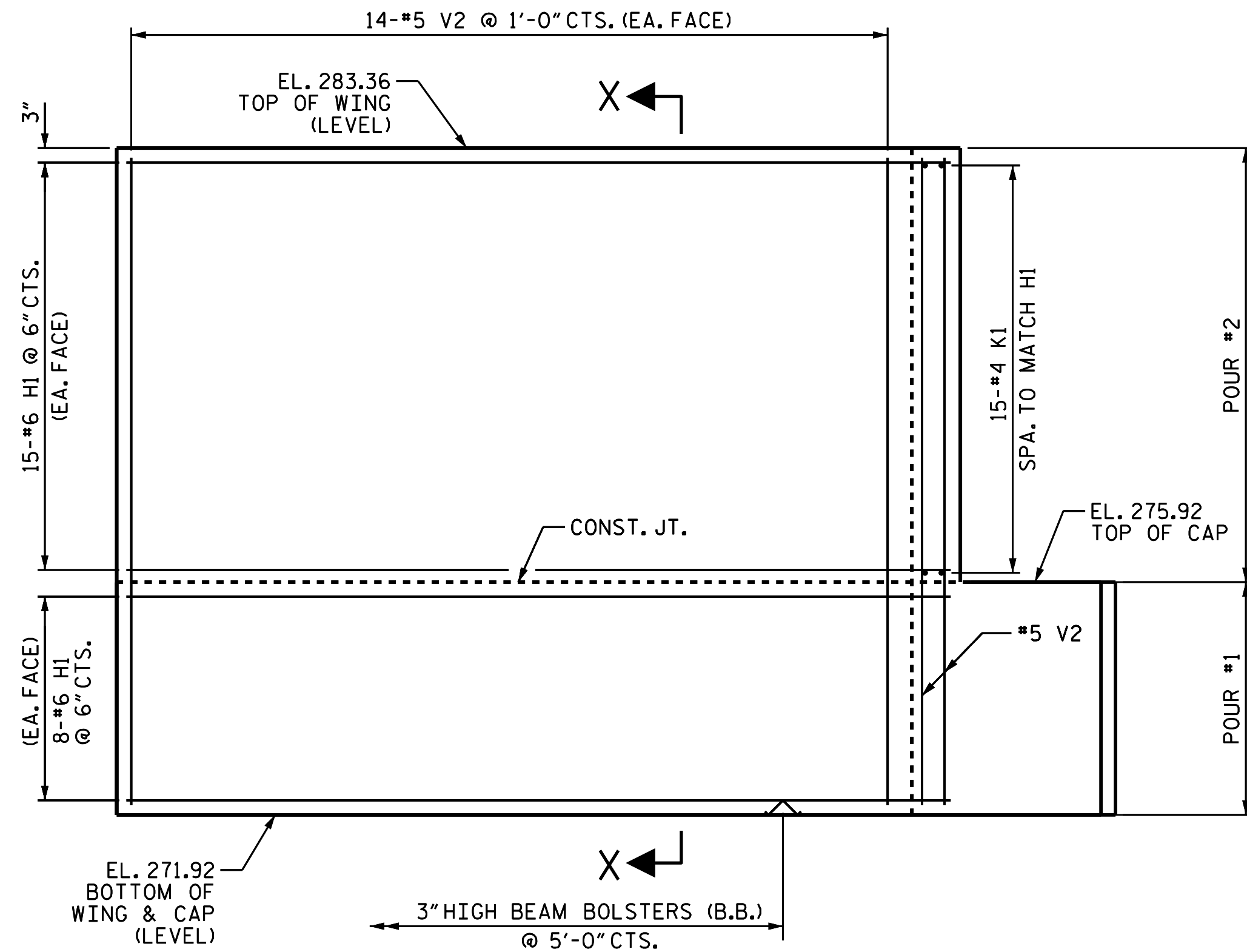
PLAN OF LEFT WING - W1



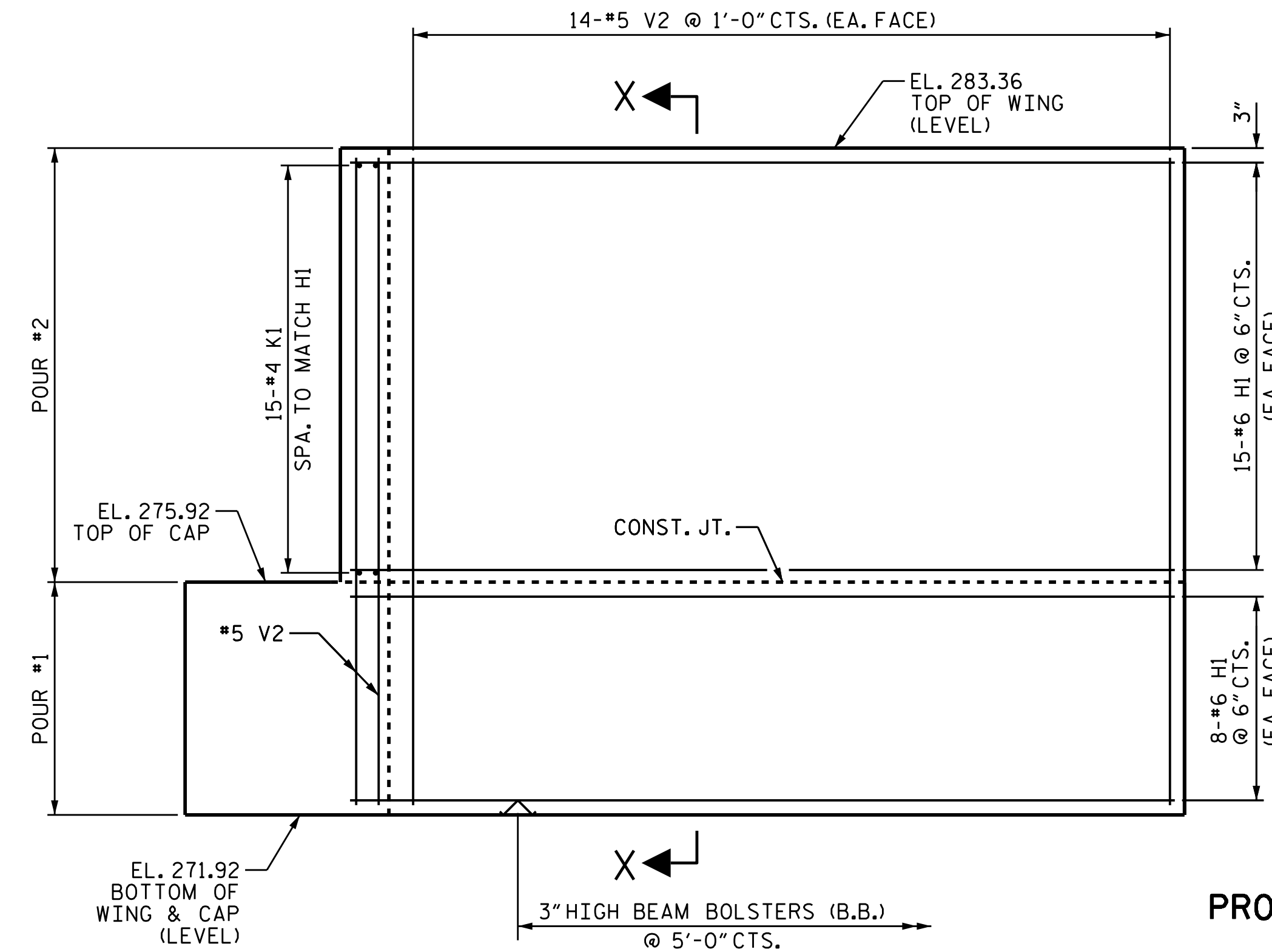
PLAN OF RIGHT WING - W2



SECTION X-X



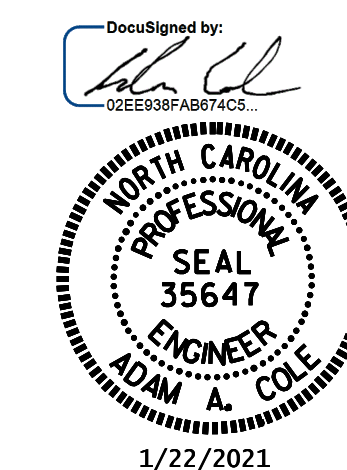
ELEVATION OF LEFT WING - W1



ELEVATION OF RIGHT WING - W2

PROJECT NO. B-5818
ANSON COUNTY
 STATION: 27+19.00 -L-

SHEET 2 OF 3



STATE OF NORTH CAROLINA
 DEPARTMENT OF TRANSPORTATION
 RALEIGH
 SUBSTRUCTURE
 INTEGRAL
 END BENT 2

DRAWN BY : M. G. SHAIKH DATE : 08/2020
 CHECKED BY : H. A. LOCKLEAR DATE : 09/2020
 DESIGN ENGINEER OF RECORD: REZA KOUCHEKI DATE : 12/2019

DOCUMENT NOT CONSIDERED
 FINAL UNLESS ALL
 SIGNATURES COMPLETED

REVISIONS						SHEET NO.
NO.	BY:	DATE:	NO.	BY:	DATE:	S-20
1			3			TOTAL SHEETS
2			4			24