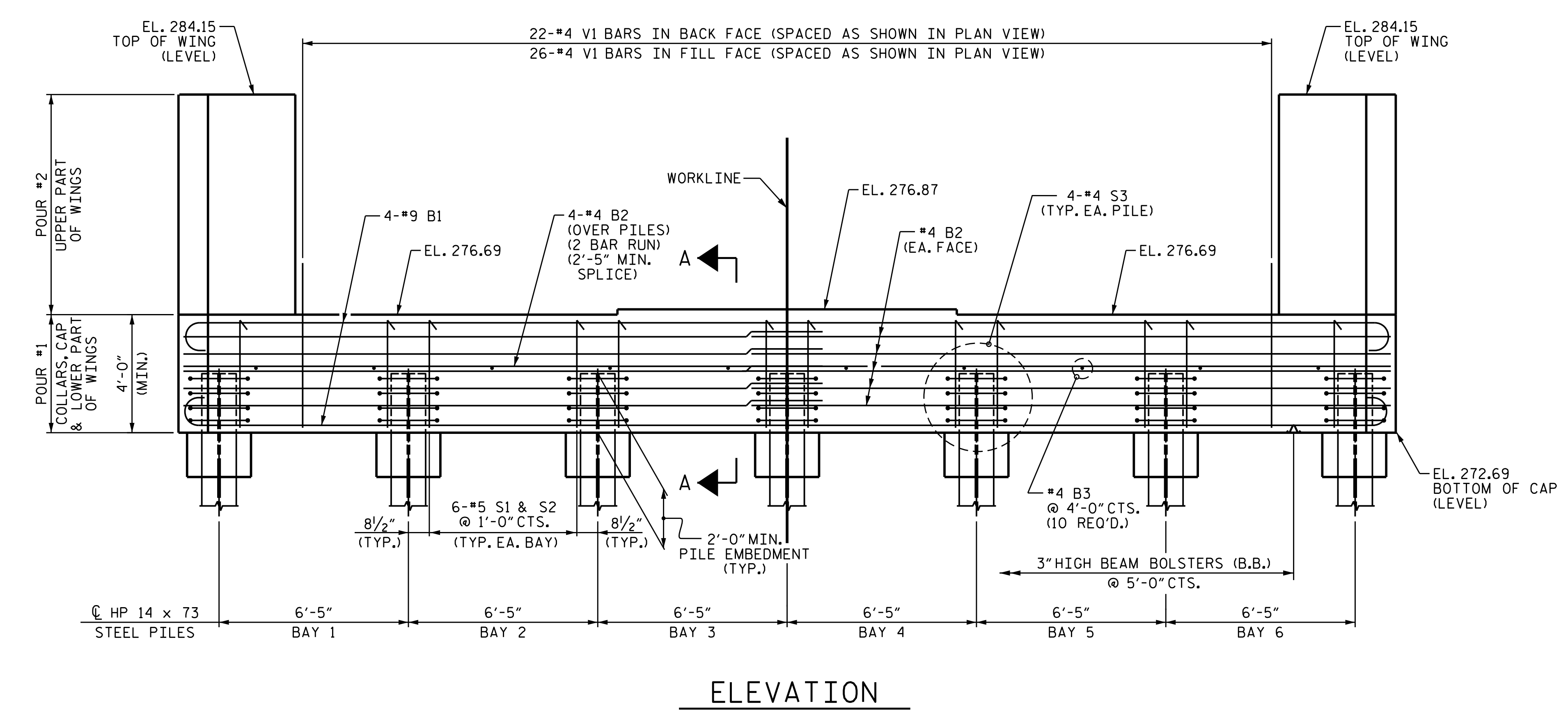


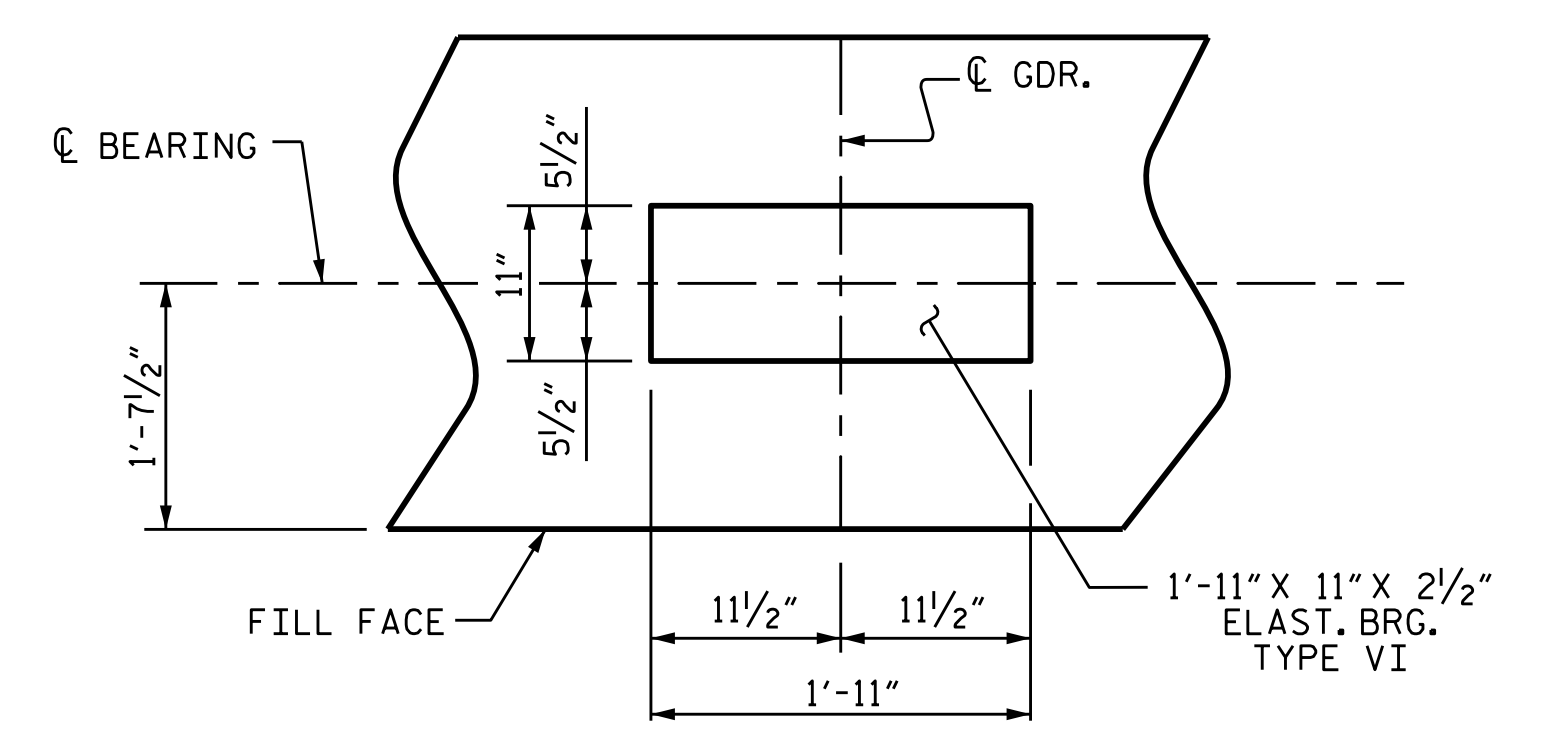
PLAN



ELEVATION

NOTES:

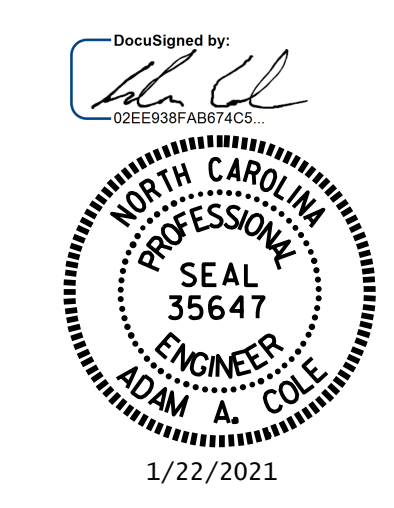
STIRRUPS IN CAP MAY BE SHIFTED AS NECESSARY TO CLEAR #4 V1 BARS.
 THE TOP PART OF THE END BENT CAP AND WINGS, EXCEPT THE BEARING AREA, SHALL BE RAKED TO A DEPTH OF 1/4".



DETAIL "A"
(TYP. EA. GDR.)

PROJECT NO. B-5818
 ANSON COUNTY
 STATION: 27+19.00 -L-

SHEET 1 OF 3



STATE OF NORTH CAROLINA
 DEPARTMENT OF TRANSPORTATION
 RALEIGH
 SUBSTRUCTURE
 INTEGRAL END BENT 1

DRAWN BY : M. G. SHAIKH DATE : 08/2020
 CHECKED BY : H. A. LOCKLEAR DATE : 09/2020
 DESIGN ENGINEER OF RECORD: REZA KOUCHEKI DATE : 12/2019

DOCUMENT NOT CONSIDERED
 FINAL UNLESS ALL
 SIGNATURES COMPLETED

REVISIONS						SHEET NO.
NO.	BY:	DATE:	NO.	BY:	DATE:	S-16
1			3			TOTAL SHEETS
2			4			24