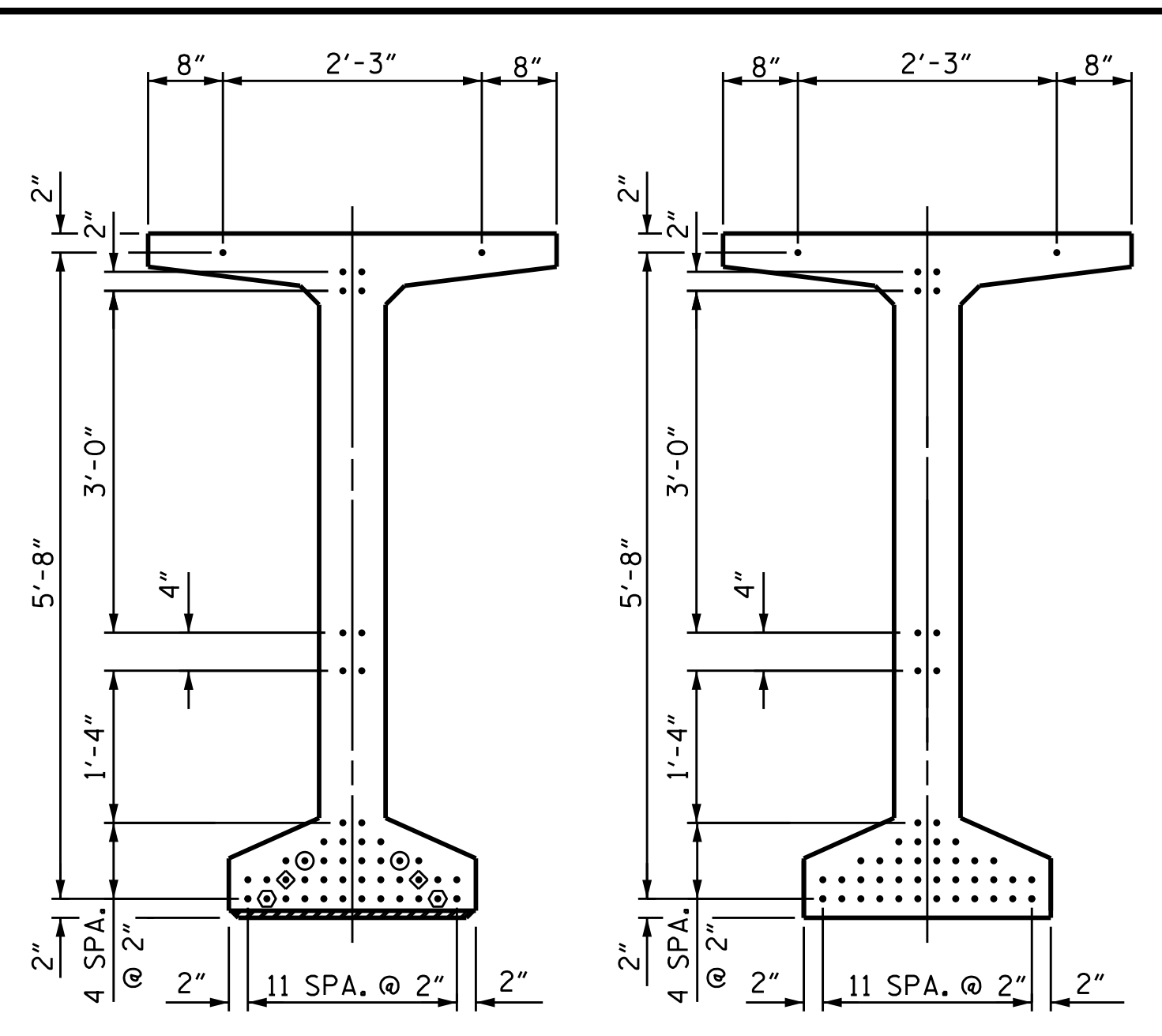


1/2" FORMED HOLE. SEE ELEVATION FOR LOCATION. FOR DIM. "A", "B" & "C" SEE "INTERMEDIATE STEEL DIAPHRAGMS" SHEET.)

DEBONDING LEGEND

- FULLY BONDED STRANDS
- STRANDS DEBONDED FOR 8'-0" FROM END OF GIRDER
- STRANDS DEBONDED FOR 10'-0" FROM END OF GIRDER
- STRANDS DEBONDED FOR 12'-0" FROM END OF GIRDER

FOR S7 BARS, SEE DETAIL "C" OF PRESTRESSED CONCRETE GIRDER CONTINUOUS FOR LIVE LOAD DETAILS SHEET

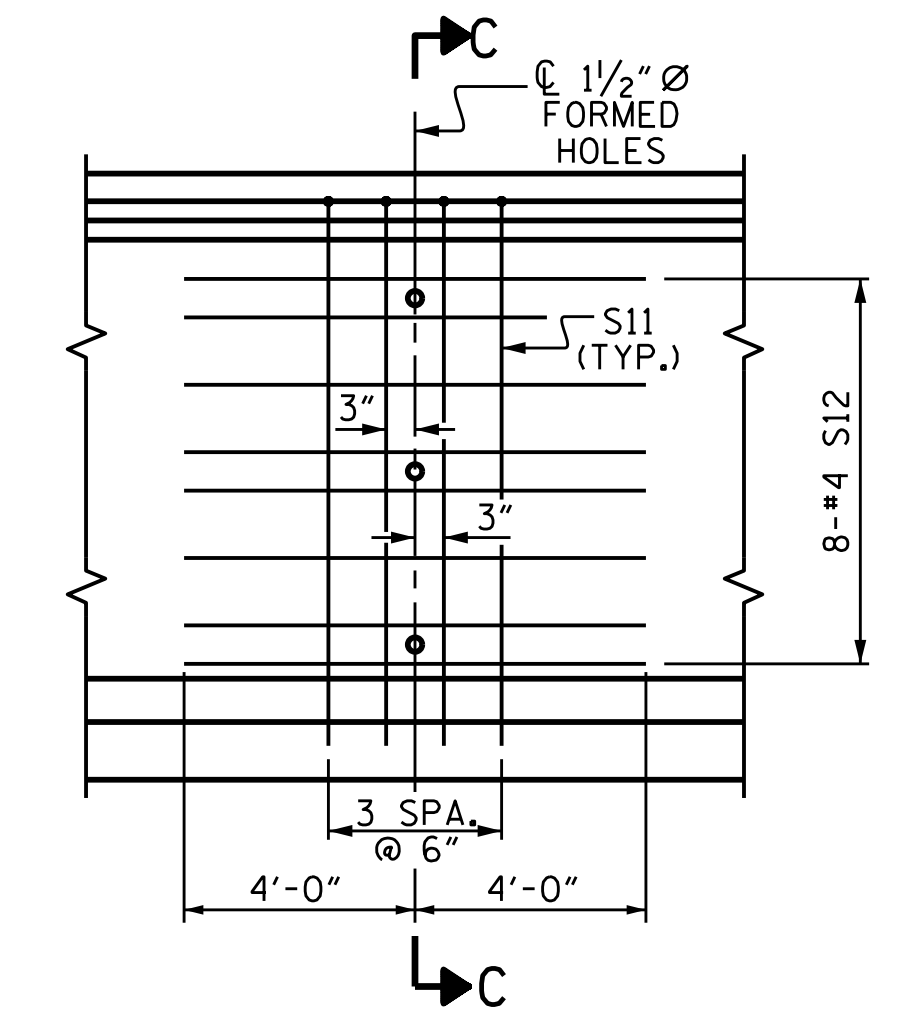
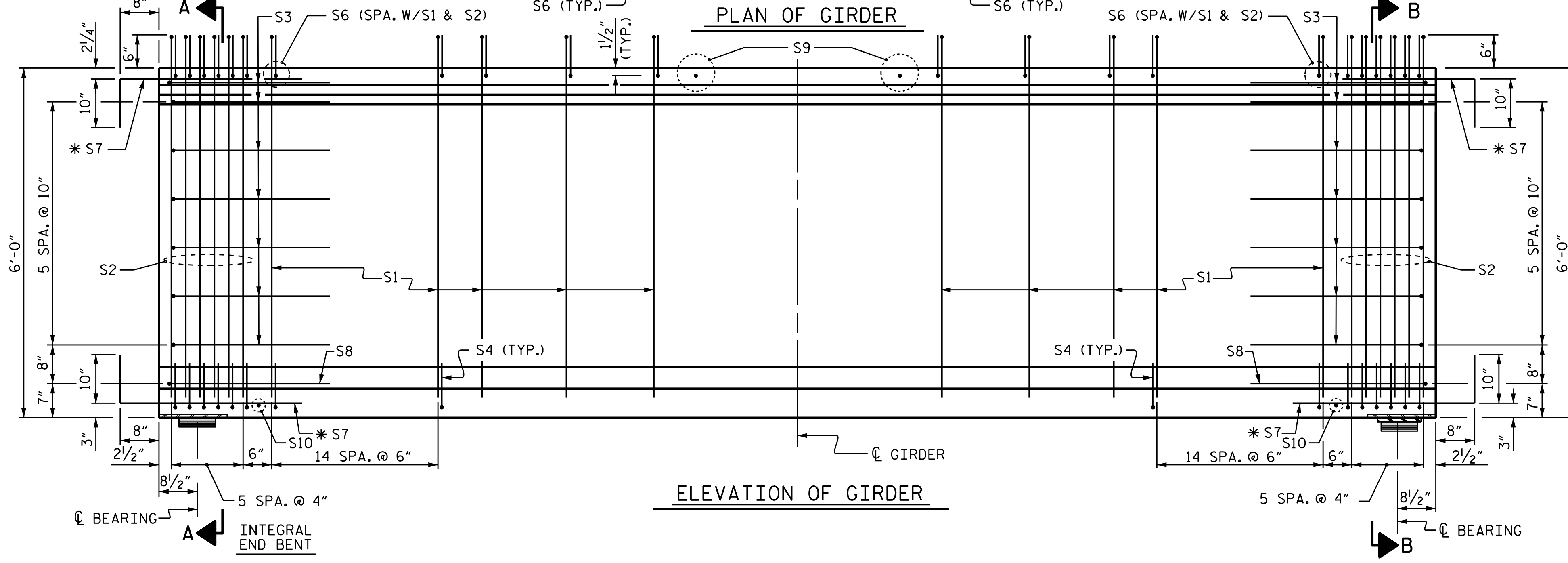
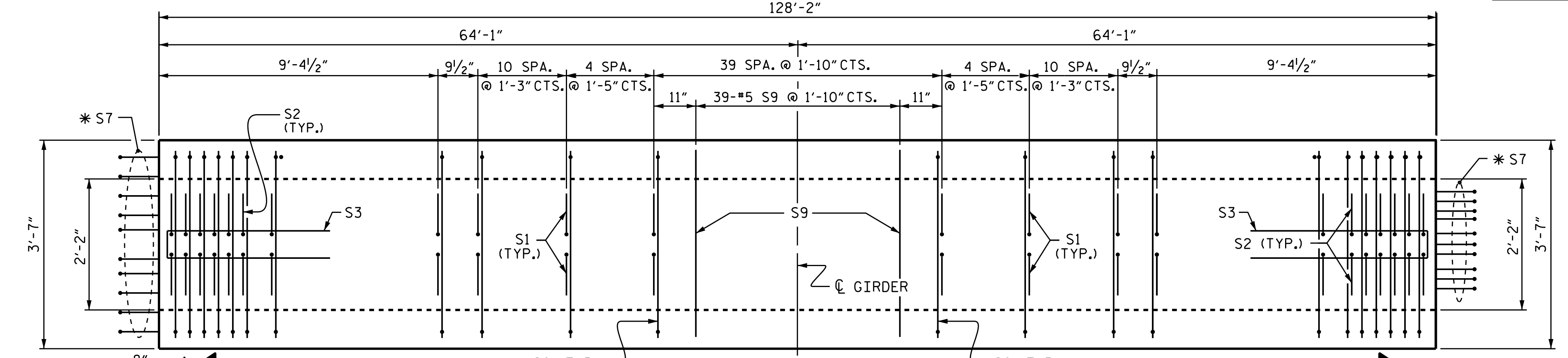
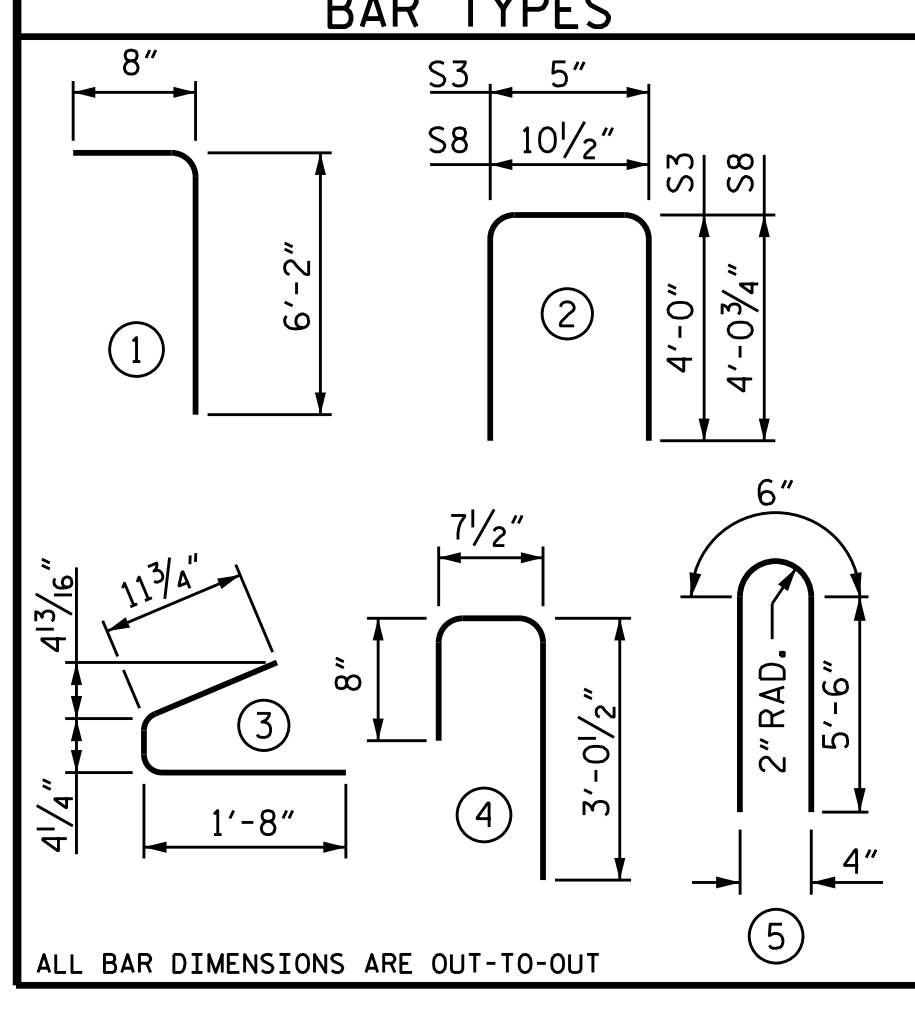


AT END OF GIRDER
AT C OF GIRDER
0.6" Ø LOW RELAXATION STRAND LAYOUT

0.6" Ø L. R. GRADE 270 STRANDS		
AREA (SQUARE INCHES)	ULTIMATE STRENGTH (LBS. PER STRAND)	APPLIED PRESTRESS (LBS. PER STRAND)
0.217	58,600	43,950

REINFORCING STEEL FOR ONE GDR					
BAR	NUMBER	SIZE	TYPE	LENGTH	WEIGHT
S1	196	#4	1	6'-10"	895
S2	24	#5	1	6'-10"	171
S3	14	#4	2	8'-5"	79
S4	84	#4	3	3'-0"	168
S6	220	#5	4	4'-4"	994
*S7	40	#5	STR	3'-3"	153
S8	2	#5	2	9'-0"	19
S9	39	#5	STR	3'-3"	132
S10	2	#3	STR	1'-10"	1
S11	8	#5	5	11'-6"	96
S12	16	#4	STR	8'-0"	86

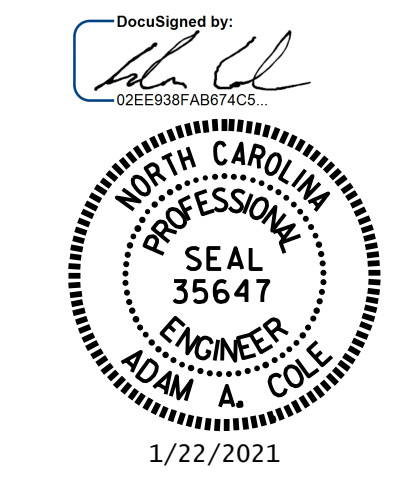
* NOTE: S7 BARS SHALL BE BENT BEFORE SHIPMENT. HEAT BENDING SHALL NOT BE ALLOWED.



QUANTITIES FOR ONE GIRDER		
REINFORCING STEEL	10,000 PSI CONCRETE	0.6" Ø L.R. STRANDS
LB.	C.Y.	No.
2794	27.5	48

GIRDERS REQUIRED		
NUMBER	LENGTH	TOTAL LENGTH
4	128'-2"	512'-8"

PROJECT NO. B-5818
ANSON COUNTY
STATION: 27+79.00 -L-
SHEET 1 OF 3



STATE OF NORTH CAROLINA
DEPARTMENT OF TRANSPORTATION
RALEIGH
STANDARD
72" PRESTRESSED CONCRETE
MODIFIED BULB TEE
CONTINUOUS FOR LIVE LOAD
(SPAN A)

ASSEMBLED BY : M. G. SHAIKH	DATE : 01/2020
CHECKED BY : H. LOCKLEAR	DATE : 02/2020
DRAWN BY : EEM 2/6/97	REV. 6/13 MAA/GM
CHECKED BY : VAP 2/6/97	REV. 1/15 MAA/TMG
	REV. 12/17 MAA/THC

DOCUMENT NOT CONSIDERED FINAL UNLESS ALL SIGNATURES COMPLETED

REVISIONS						SHEET NO.
NO.	BY:	DATE:	NO.	BY:	DATE:	S-9
1			3			TOTAL SHEETS
2			4			24