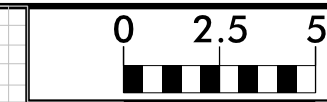
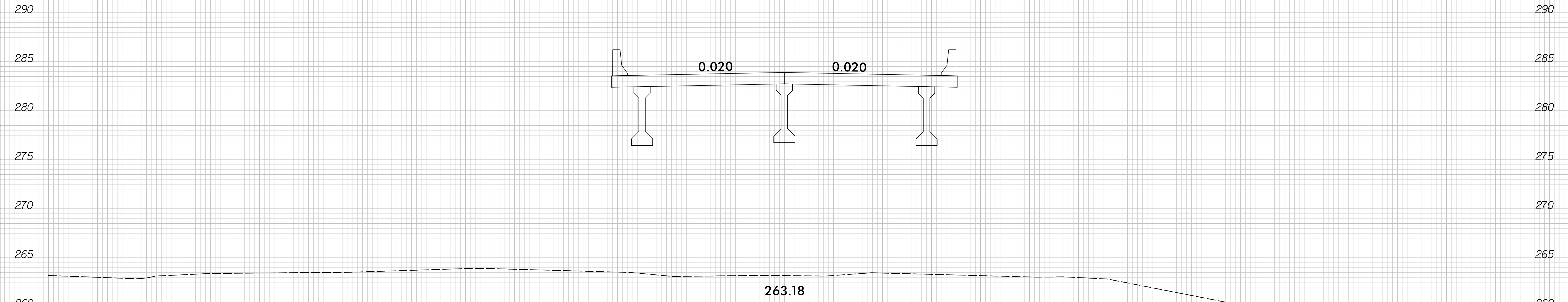
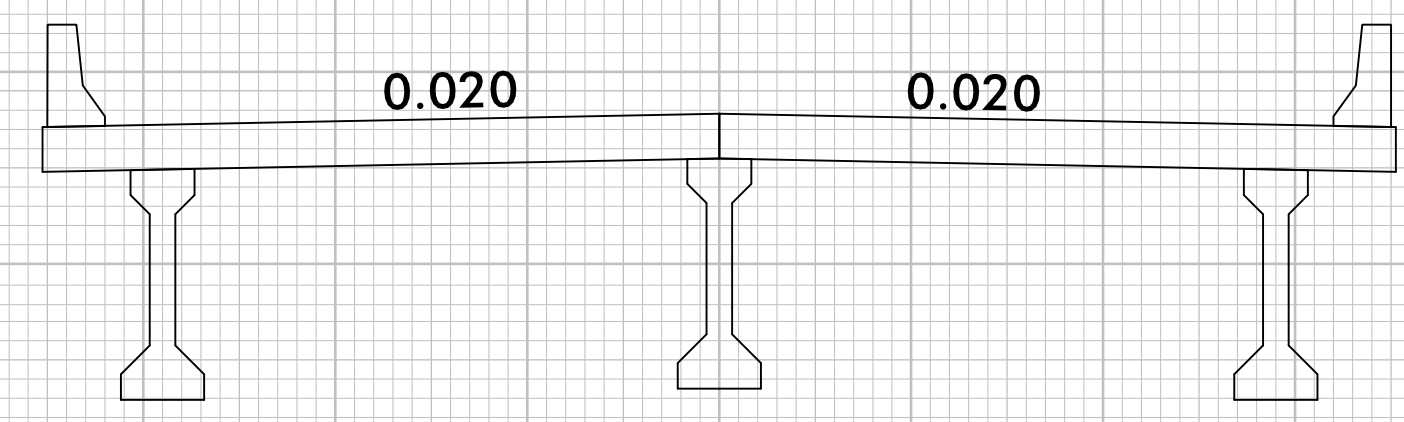


6/23/16

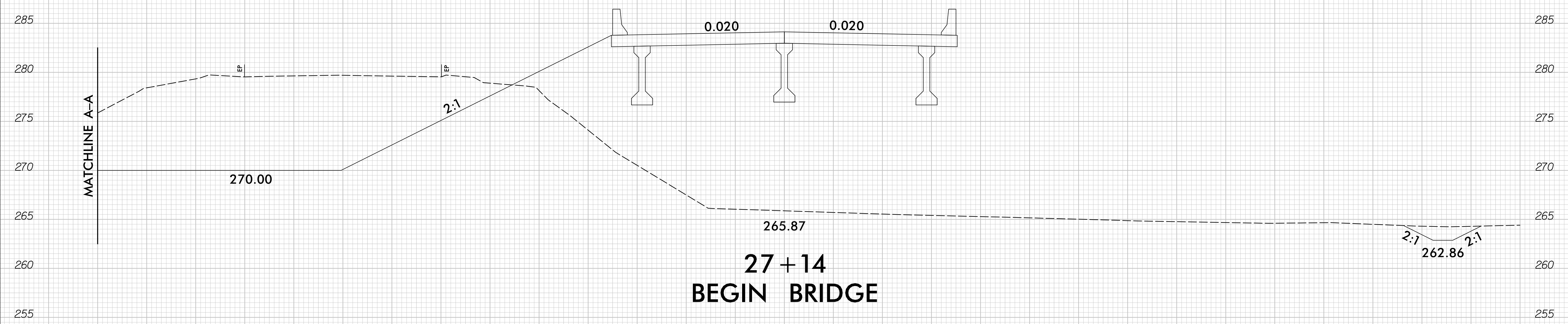
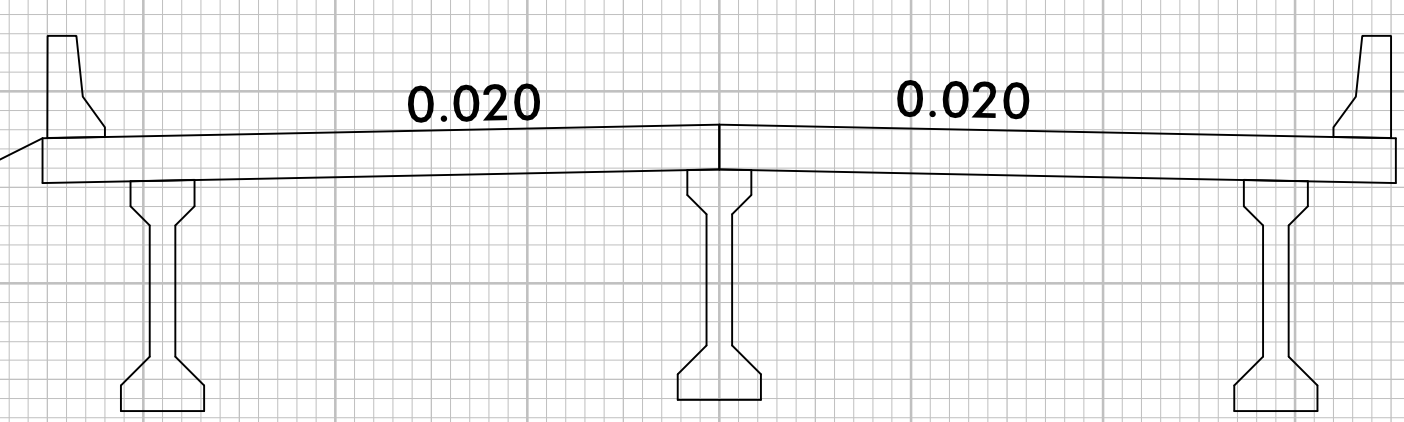
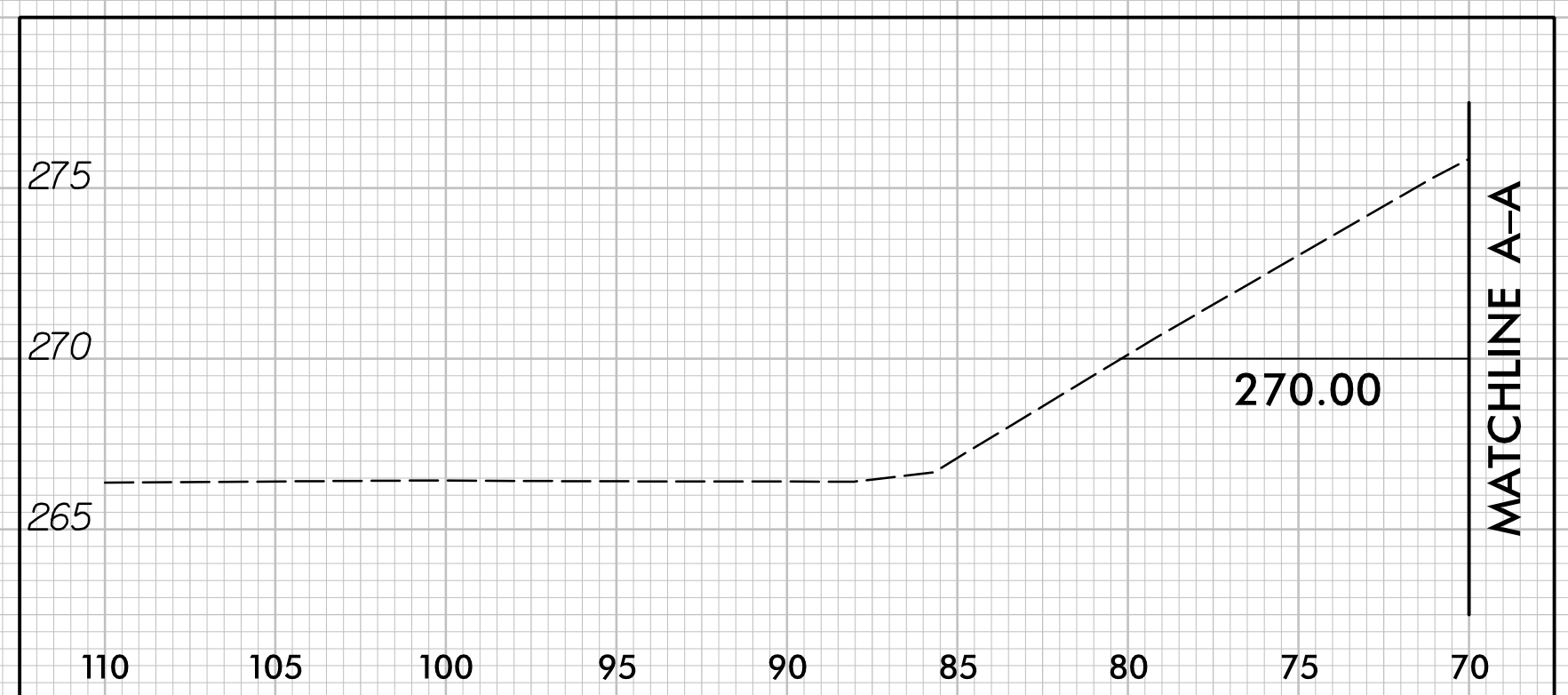


PROJ. REFERENCE NO. B-5818	SHEET NO. X-11
-------------------------------	-------------------

75 70 65 60 55 50 45 40 35 30 25 20 15 10 5 0 5 10 15 20 25 30 35 40 45 50 55 60 65 70 75



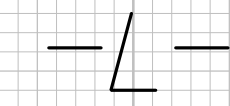
27 + 50



27 + 14
BEGIN BRIDGE

MATCHLINE A-A

MATCHLINE A-A



75 70 65 60 55 50 45 40 35 30 25 20 15 10 5 0 5 10 15 20 25 30 35 40 45 50 55 60 65 70 75

1/14/2021
C:\Users\corridor modeling\1\B5818_rdy_xpl.dgn