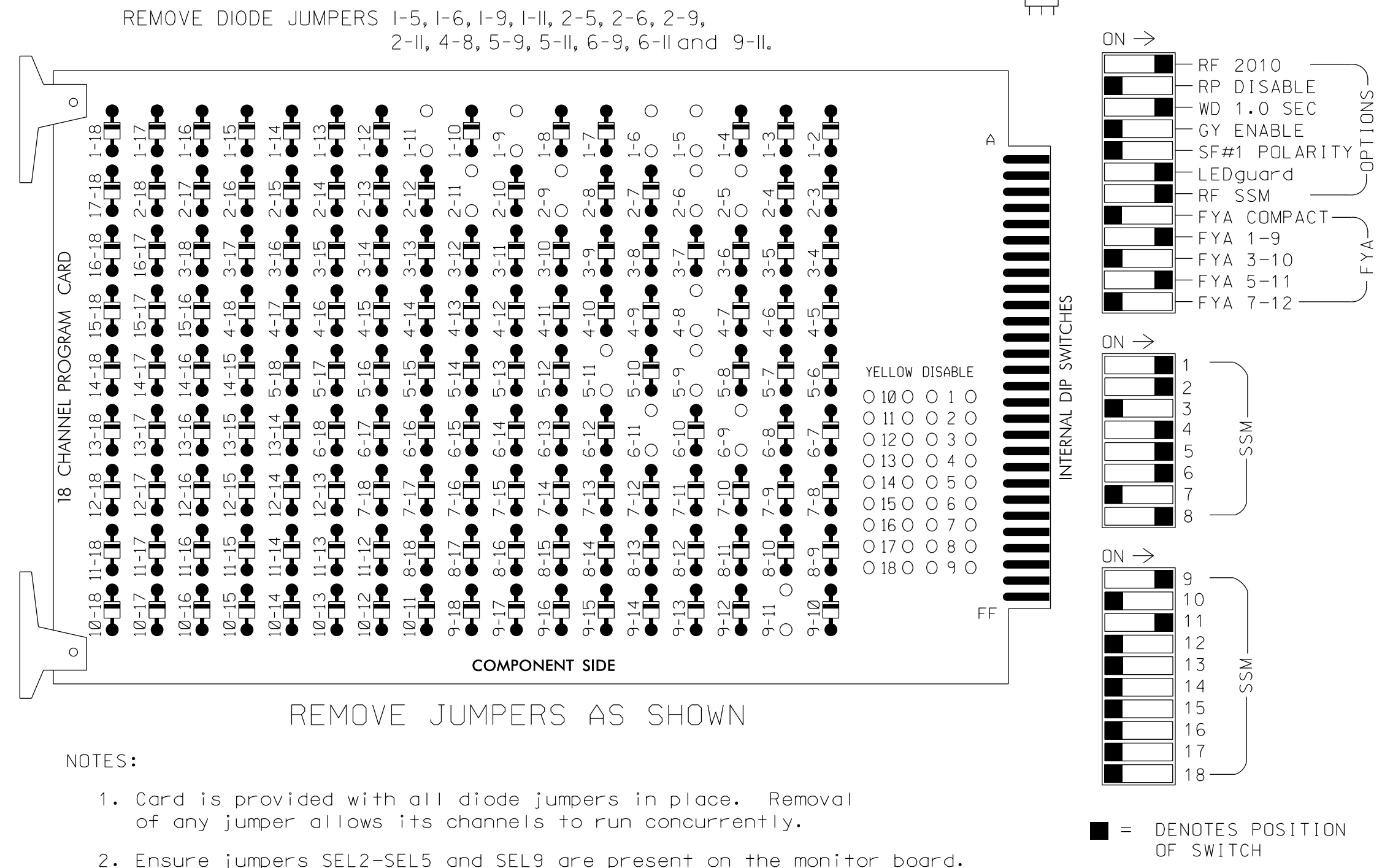


EDI MODEL 2018EClip-NC CONFLICT MONITOR PROGRAMMING DETAIL

(remove jumpers and set switches as shown)



NOTES

- To prevent "flash-conflict" problems, insert red flash program blocks for all unused vehicle load switches in the output file. The installer shall verify that signal heads flash in accordance with the Signal Plans.
- Program phases 4 and 8 for Dual Entry.
- Program controller to start up in phase 2 Green and 6 Green.
- The cabinet and controller are part of the Elizabeth City Signal System.

EQUIPMENT INFORMATION

CONTROLLER.....2070LX
 CABINET.....332 W/AUX
 SOFTWARE.....ECONOLITE ASC/3-2070
 CABINET MOUNT.....BASE
 OUTPUT FILE POSITIONS...18 WITH AUX. OUTPUT FILE
 LOAD SWITCHES USED.....S1,S2,S5,S7,S8,S11,AUX S1,
 AUX S4
 PHASES USED.....1,2,4,5,6,8
 OVERLAP "A".....*
 OVERLAP "B".....NOT USED
 OVERLAP "C".....NOT USED
 OVERLAP "D".....NOT USED

* See overlap programming detail on sheet 2

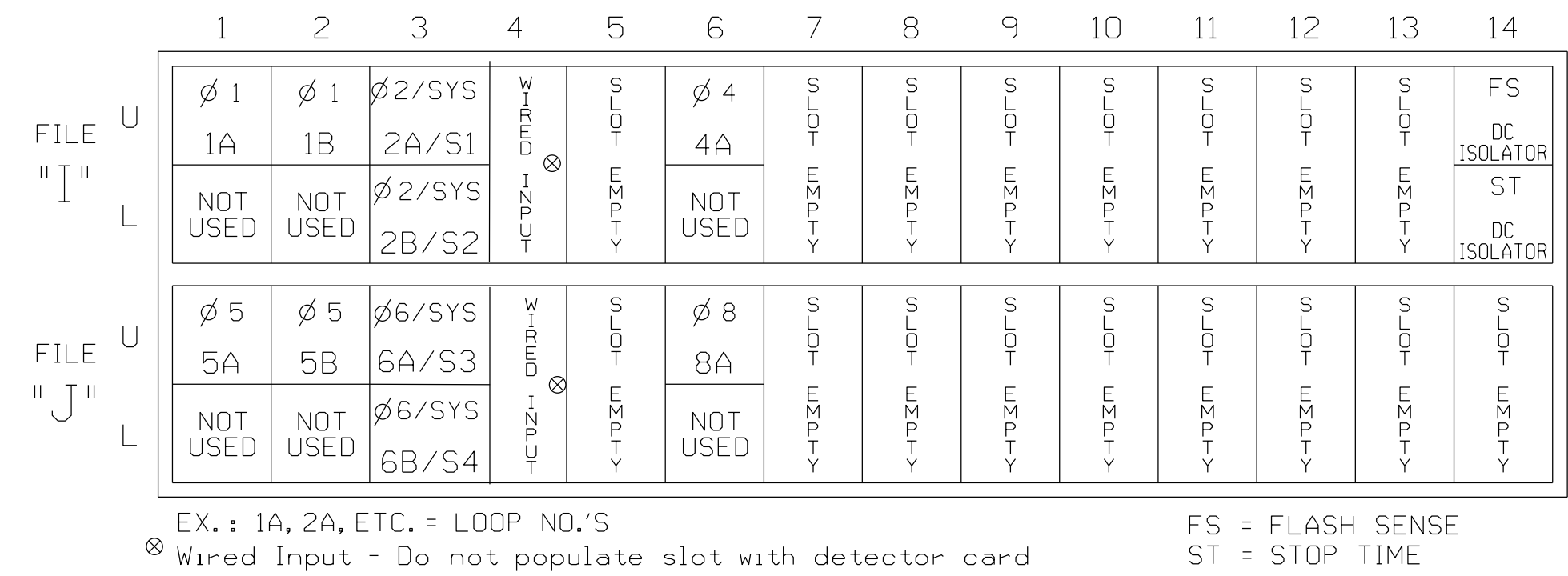
SIGNAL HEAD HOOK-UP CHART

LOAD SWITCH NO.	S1	S2	S3	S4	S5	S6	S7	S8	S9	S10	S11	S12	AUX S1	AUX S2	AUX S3	AUX S4	AUX S5	AUX S6
CMU CHANNEL NO.	1	2	13	3	4	14	5	6	15	7	8	16	9	10	17	11	12	18
PHASE	1	2	2 PED	3	4	4 PED	5	6	6 PED	7	8	8 PED	OLA	OLB	SPARE	OLC	OLD	SPARE
SIGNAL HEAD NO.	11	82	21,22	NU	NU	41,42	NU	51	42	61,62	NU	NU	81,82	NU	11	NU	51	NU
RED	*	128			101		*		134			107						
YELLOW		129			102				135			108						
GREEN		130			103				136			109						
RED ARROW																		
YELLOW ARROW		126							132									
FLASHING YELLOW ARROW																		
GREEN ARROW	127	127							133	133								

NU = Not Used
 * Denotes install load resistor. See load resistor installation detail this sheet.
 ★ See pictorial of head wiring in detail this sheet.

INPUT FILE POSITION LAYOUT

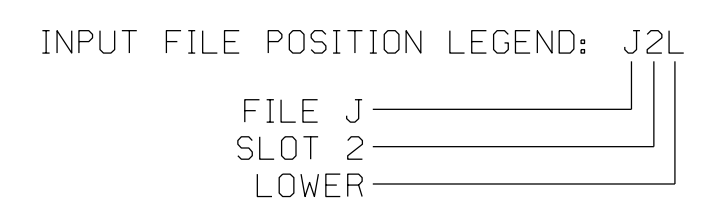
(front view)



INPUT FILE CONNECTION & PROGRAMMING CHART

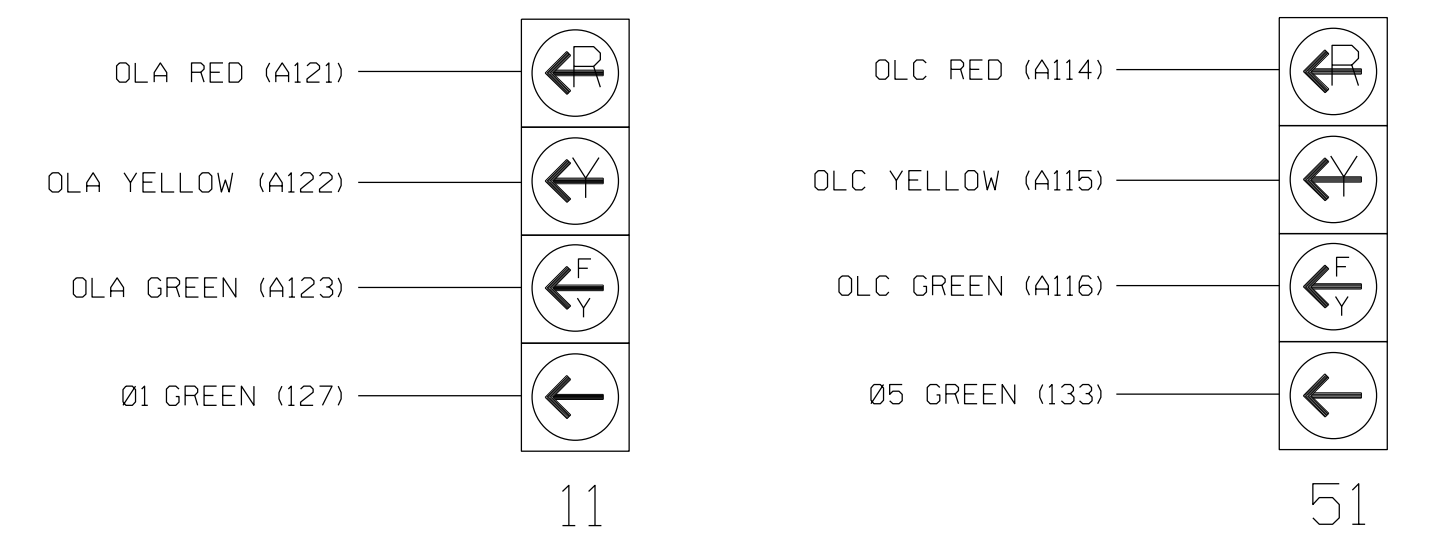
LOOP NO.	LOOP TERMINAL	INPUT FILE POS.	PIN NO.	DETECTOR NO.	NEMA PHASE	CALL	EXTEND TIME	DELAY TIME	ADDED INITIAL	DETECTOR TYPE
1A	TB2-1,2	I1U	56	1	1	YES		15		S
	-	J4U	48	26	6	YES		3		S
1B	TB2-5,6	I2U	39	2	1	YES		15		S
2A/S1	TB2-9,10	I3U	63	32	2/SYS	YES				S
2B/S2	TB2-11,12	I3L	76	42	2/SYS	YES				S
4A	TB4-9,10	I6U	41	4	4	YES		3		S
	TB3-1,2	J1U	55	5	5	YES		15		S
5A	-	I4U	47	22	2	YES		3		S
	TB3-5,6	J2U	40	6	5	YES		15		S
6A/S3	TB3-9,10	J3U	64	36	6/SYS	YES				S
6B/S4	TB3-11,12	J3L	77	46	6/SYS	YES				S
8A	TB5-9,10	J6U	42	8	8	YES		3		S

- Add jumper from I1-W to J4-W, on rear of input file.
- Add jumper from J1-W to I4-W, on rear of input file.



FYA SIGNAL WIRING DETAIL

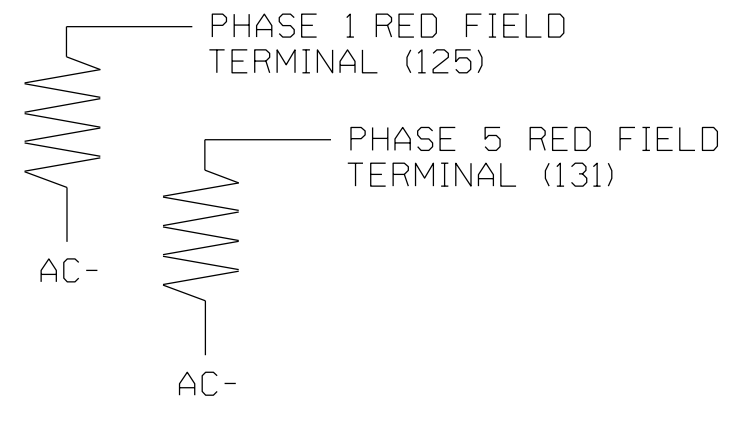
(wire signal heads as shown)



LOAD RESISTOR INSTALLATION DETAIL

(install resistors as shown)

VALUE (ohms)	WATTAGE
1.5K - 1.9K	25W (min)
2.0K - 3.0K	10W (min)



Electrical Detail - Sheet 1 of 2

DOCUMENT NOT CONSIDERED FINAL UNLESS ALL SIGNATURES COMPLETED

Electrical and Programming Details For:

Prepared for the Offices of:

DRMP, Inc.
8000 Regency Parkway, Suite 175
Cary, NC 27519
NC License No. C-2215 (919) 650-1038

US 17 (US 17 South)
at
SR 1306 (Forest Park Road)/
Central Elementary School Ent.
Division 1 Pasquotank County Elizabeth City

PLAN DATE: February 2018 REVIEWED BY: AJ Davis
 PREPARED BY: DJ White REVIEWED BY: LM Moon

REVISIONS	INIT.	DATE

SEAL

DocuSigned by:
Lisa M. Moon
9/20/2018
SIC588B83D0421
DATE: 9/20/2018
SIG. INVENTORY NO. 01-0092